

4

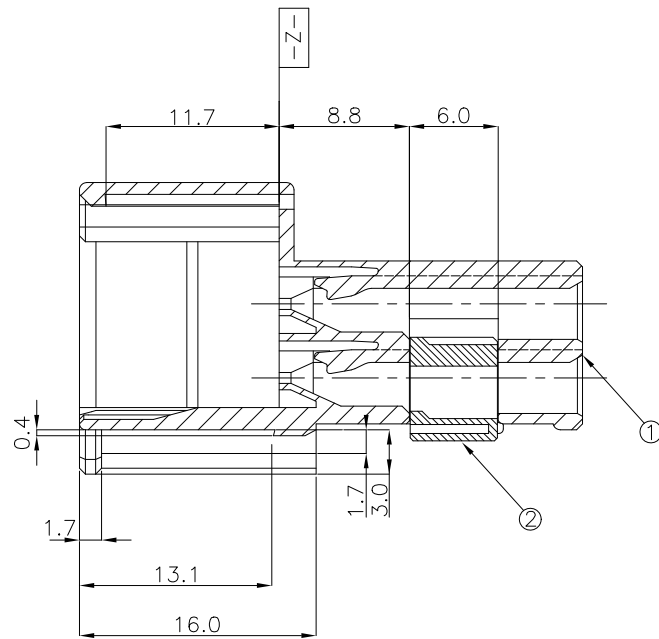
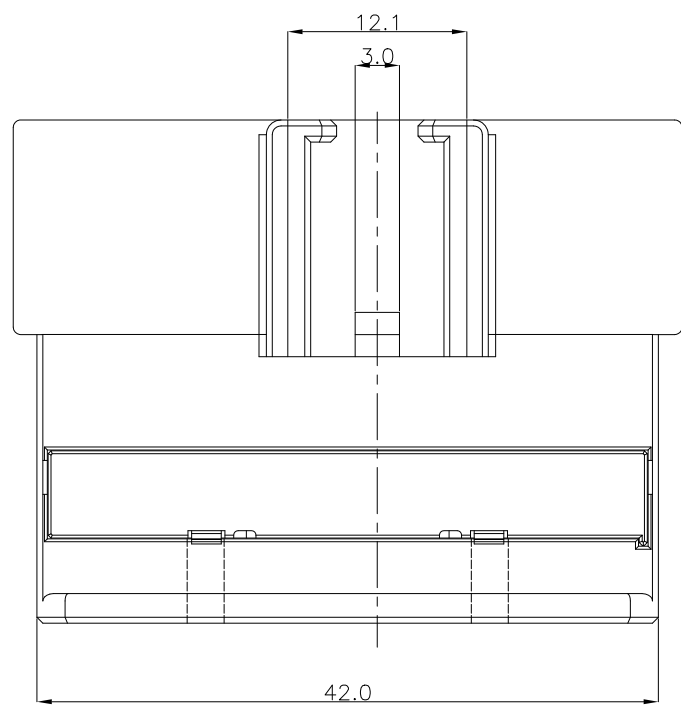
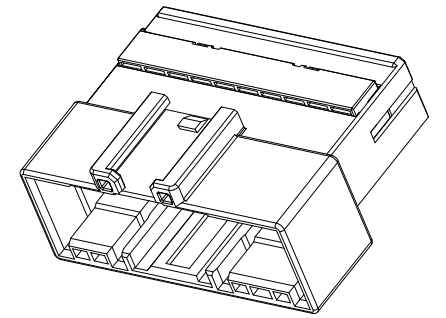
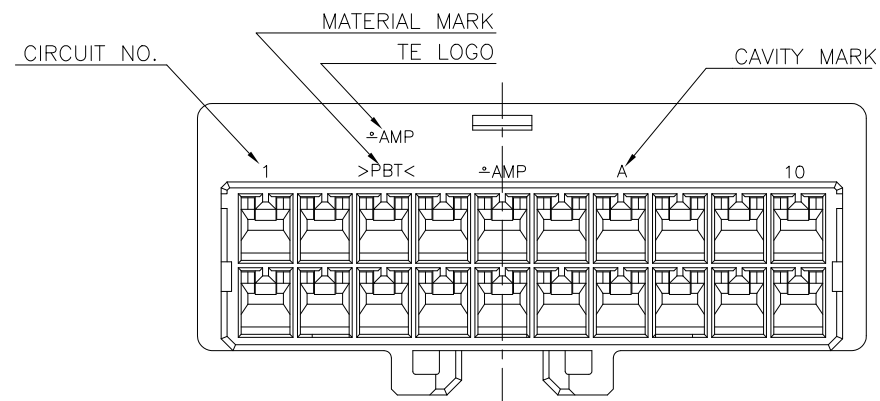
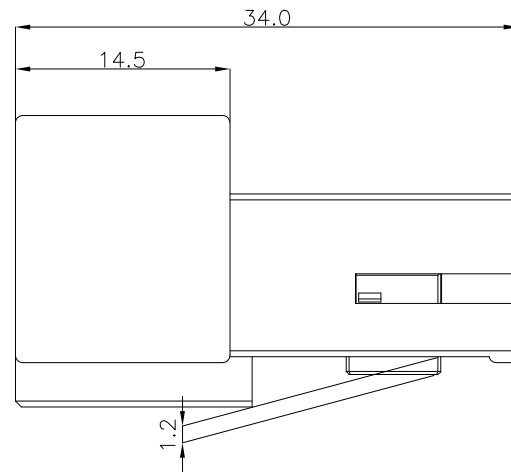
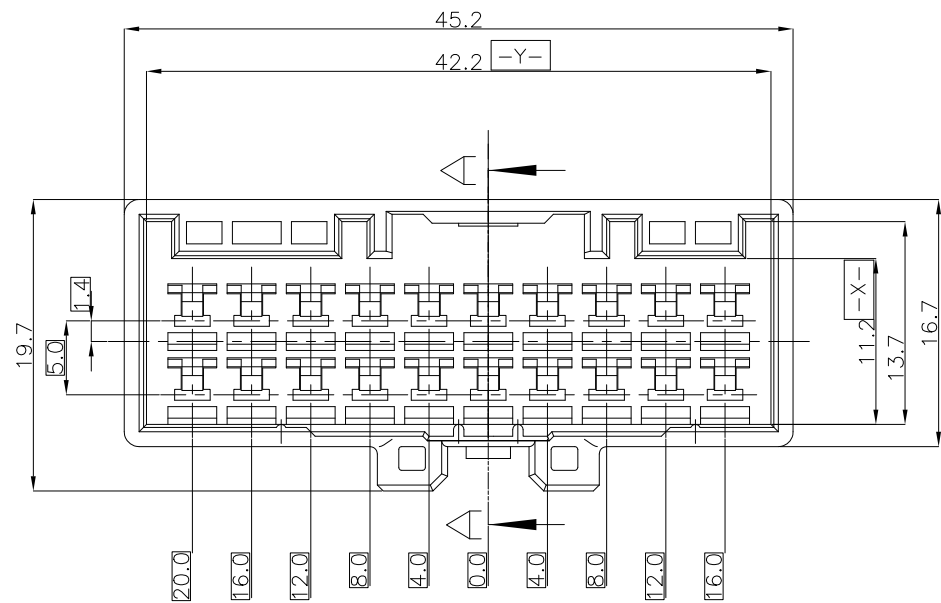
3

2

1

THIS DRAWING IS UNPUBLISHED. RELEASED FOR PUBLICATION
COPYRIGHT BY TYCO ELECTRONICS CORPORATION, ALL RIGHTS RESERVED.

LOC	DIST	REVISIONS					
		P	LTR	DESCRIPTION	DATE	DWN	APVD
DS	-		C	REVISED (FC00-0167-03)	09.DEC.'03	YH	CS
			C1	REVISED (ECR-09-005035)	24.MAR.'09	KT	HG



SECTION A-A

- NOTES.
 1. THE MATING HSG. P/N ; 936095
 2. APPLIED CONTACT P/N ; 090 II TAB. - 368086, 368087, 368088, 1897752

- 주 기-
 1. 상대 하우징 P/N ; 936095
 2. 적용단자 P/N ; 090 II TAB. - 368086, 368087, 368088, 1897752

NO	COLOR	MATERIAL	DESCRIPTION	P/N	QTY
1	BLUE	PBT	CAP	0-936132-8	1
	RED	PBT	CAP	0-936132-6	1
	YELLOW	PBT	CAP	0-936132-5	1
	BROWN	PBT	CAP	0-936132-4	1
	D/GRAY	PBT	CAP	0-936132-3	1
	BLACK	PBT	CAP	0-936132-2	1
	NATURAL	PBT	CAP	0-936132-1	1
2	NATURAL	PBT	DBL	0-936097-1	1 1 1 1 1 1 1

THIS DRAWING IS A CONTROLLED DOCUMENT FOR TYCO ELECTRONICS CORPORATION. IT IS SUBJECT TO CHANGE AND THE CONTROLLING ENGINEERING ORGANIZATION SHOULD BE CONTACTED FOR THE LATEST REVISION.

DIMENSIONS: MM	TOLERANCES UNLESS OTHERWISE SPECIFIED: 0 <XX<10 ± 0.2 10<XX<30 ± 0.25 30<XX ± 0.3 ANGLES ± 3°
MATERIAL	FINISH
SEE TABLE	

DWN: KT JUNG
 CHK: JW JUNG
 APVD: HG CHD
 PRODUCT SPEC: -
 APPLICATION SPEC: -
 WEIGHT: -

Tyco Electronics AMP KOREA, Kyungsan, Korea

NAME: 090III 20P CAP ASS'Y

SIZE: A3 CAGE CODE: 00779 DRAWING NO: C-936131 RESTRICTED TO: -

CUSTOMER DRAWING SCALE: 2/1 SHEET: 1 OF 1 REV: C1

单击下面可查看定价，库存，交付和生命周期等信息

[>>TE Connectivity\(泰科\)](#)