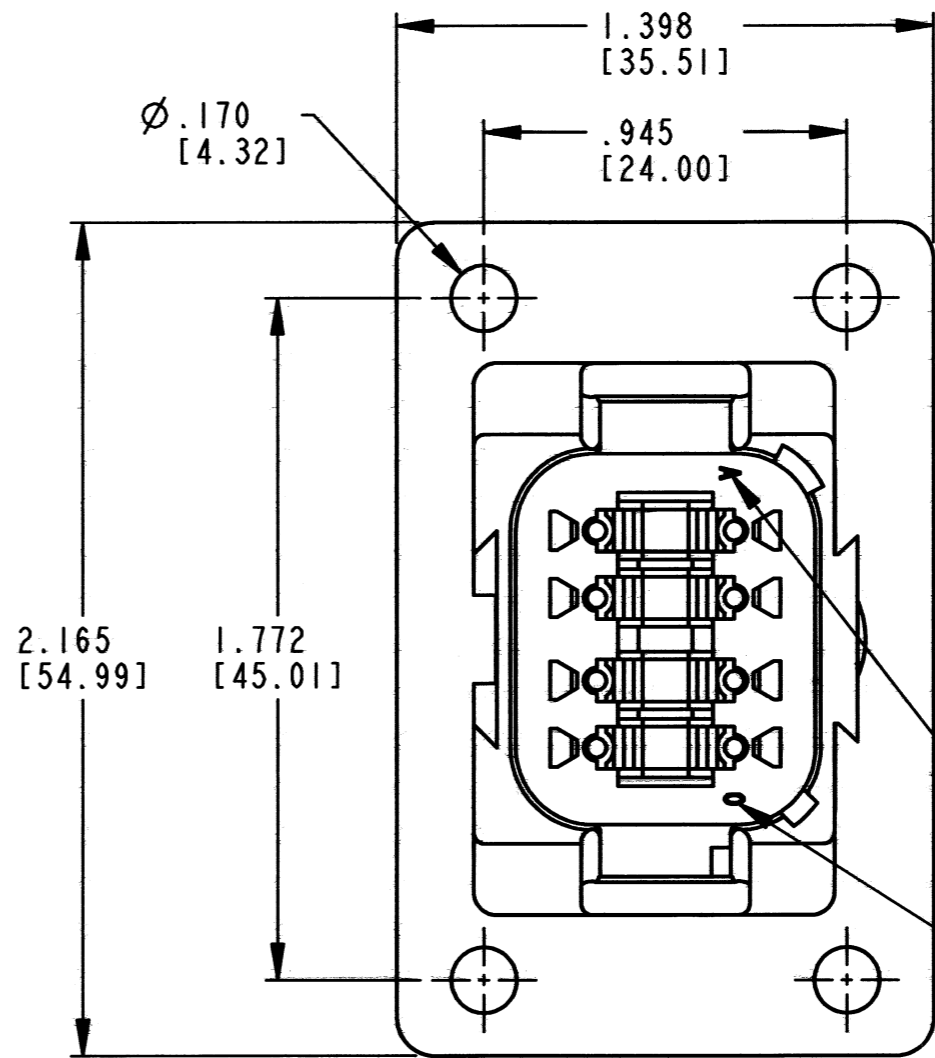
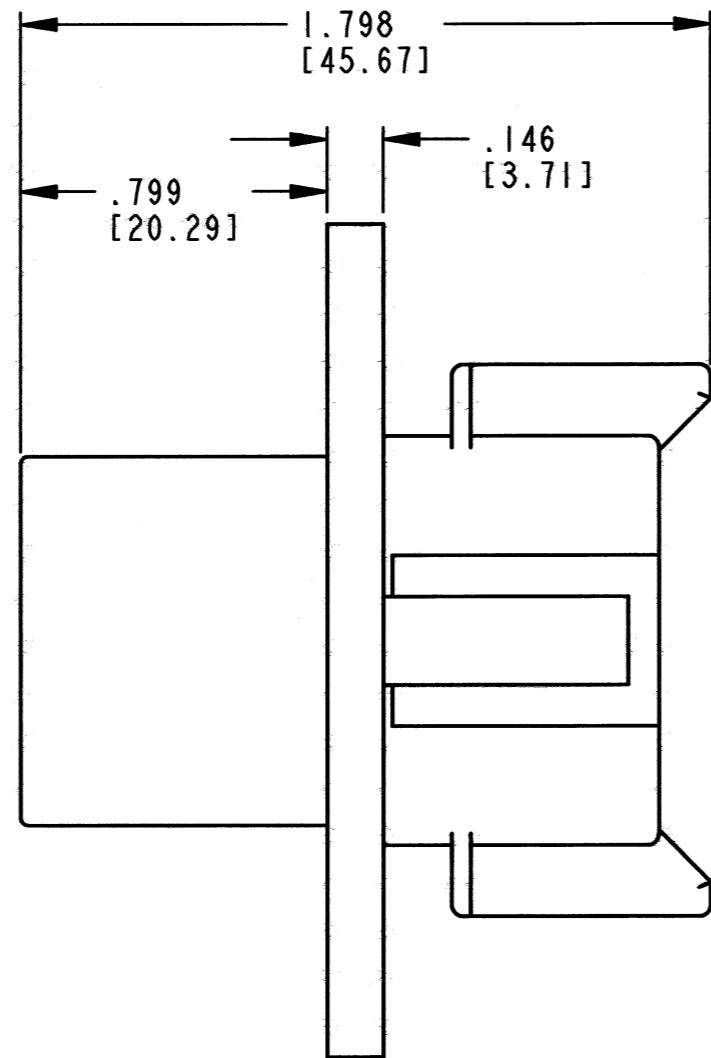
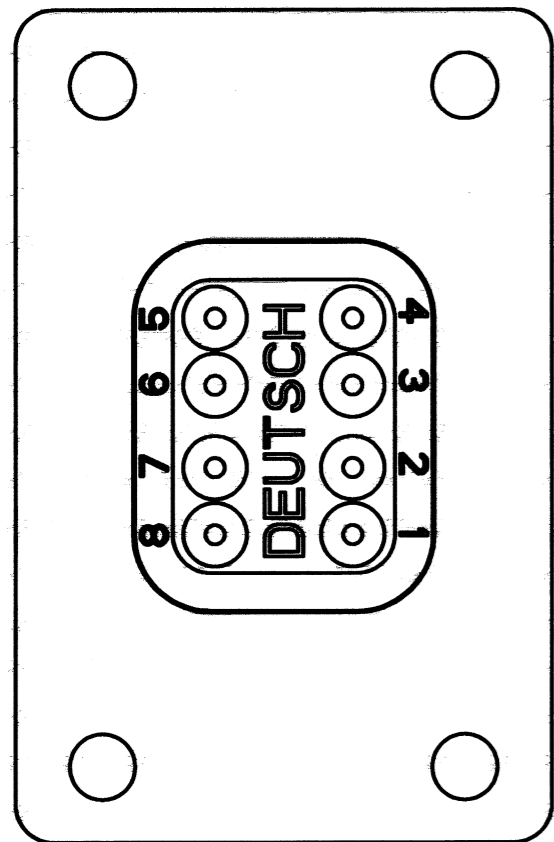


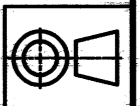
CONTACT SIZE	MIN. INSUL O.D.	MAX. INSUL O.D.	WIRE RANGE [mm ²]
16	.088 [2.24]	.145 [3.68]	14-20 AWG [2.0-0.5]

REV A DT04-08P*-L012

REVISIONS			
SYM	DESCRIPTION	DATE	APPROVED
NC	NEW RELEASE PER E.O. P20483	5/28/10	R.D.R.
A	REVISED PER E.O. P21051	8-1-11	RDR



DATE CODE: MONTH IS REPRESENTED BY SEQUENTIAL ALPHA CHARACTERS. EX: A = JANUARY
 YEAR IS REPRESENTED BY LAST NUMERICAL DIGIT. EX: 0 = 2010



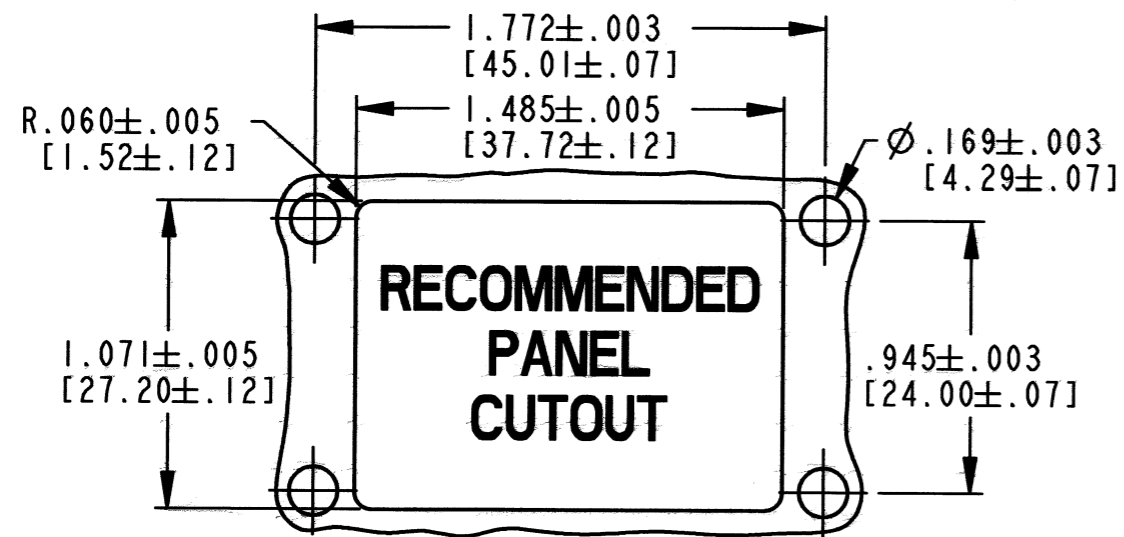
- 5. MATERIAL - SHELL: PLASTIC; SEAL: RUBBER
- 4. THIS RECEPTACLE MATES WITH DT06-08S*-**** PLUG (* = KEY A,B,C,D; **** = ALL MODIFICATIONS). CONSULT FACTORY FOR MODIFICATIONS.
- 3. FOR CONTACTS AND WIRE PERFORMANCE AND APPLICATION CHARACTERISTICS SEE ENVELOPE DRAWING 0425-015-0000 AND 0425-017-0000.
- 2. DIMENSIONS ARE ±.025[0.63] UNLESS OTHERWISE SPECIFIED.

NOTES: 1. DIMENSIONS ARE IN INCHES [MILLIMETERS].

SIGNATURE & DATE	
DR	R. MESSENGER 4/16/10
CHK	R. Byford 7/29/11
PE	R. Messenger 7/26/11
APPD	S. Baum 7/26/11
SCALE	NONE
WT	

8 WAY RECEPTACLE WITH FLANGE
 DT SERIES
 ENVELOPE

EP	MATL. CODE
3850 INDUSTRIAL AVE. HEMET, CA 92545	
DT04-08P*-L012	
DWG SIZE	SHEET 1 OF 2



REV	DT04-08P*-L012
A	

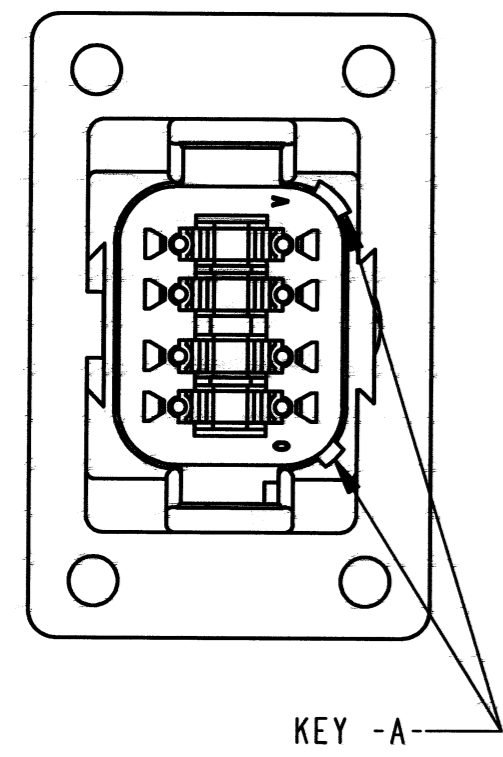
REVISIONS			
SYM	DESCRIPTION	DATE	APPROVED
A	SEE SHEET 1	8-1-11	RDR

DT04-08PA-L012
KEY -A-
COLOR: GRAY

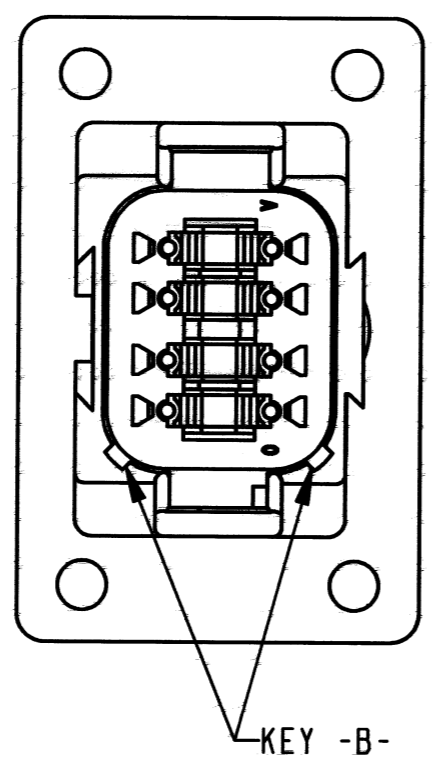
DT04-08PB-L012
KEY -B-
COLOR: BLACK

DT04-08PC-L012
KEY -C-
COLOR: GREEN

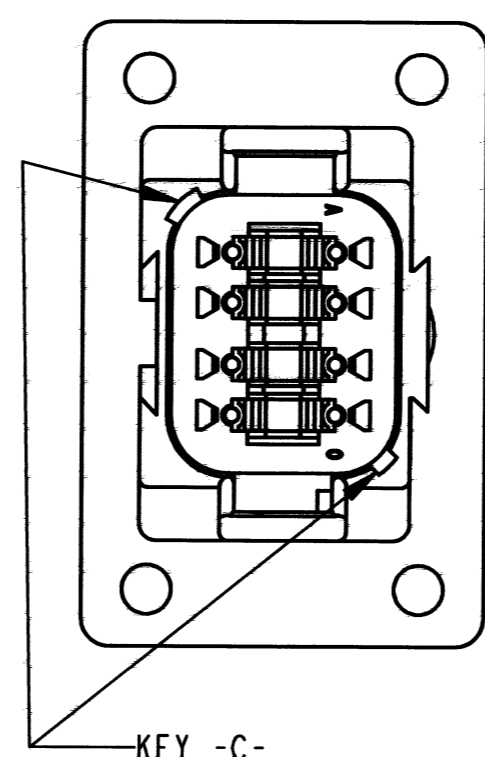
DT04-08PD-L012
KEY -D-
COLOR: BROWN



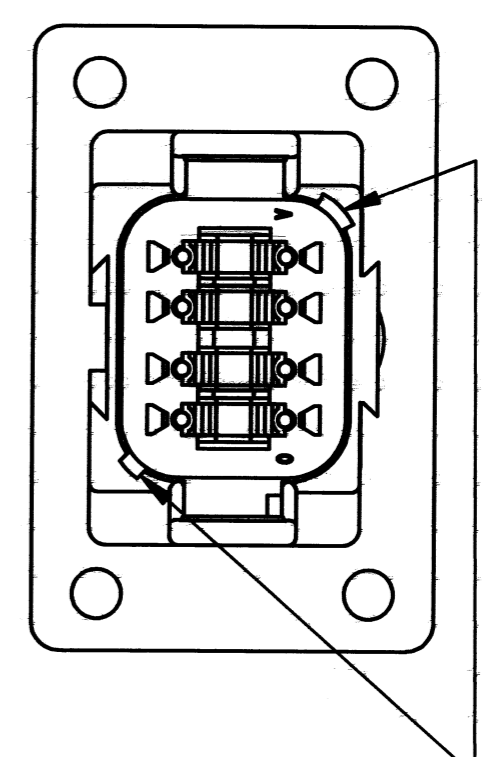
KEY -A-



KEY -B-



KEY -C-



KEY -D-


NOTES: SEE SHEET 1

SIGNATURE & DATE	
DR	R. MESSENGER 4/16/10
CHK	<i>[Signature]</i> 7/19/2011
PE	<i>[Signature]</i> 7/20/11
APPD	<i>[Signature]</i> 7/20/11
SCALE	NONE WT

8 WAY RECEPTACLE
WITH FLANGE

DT SERIES

ENVELOPE

EP	MATL. CODE
 3850 INDUSTRIAL AVE. HEMET, CA 92545 DEUTSCH INDUSTRIAL	
B	DT04-08P*-L012
DWG SIZE	CODE 11139 SHEET 2 OF 2

单击下面可查看定价，库存，交付和生命周期等信息

[>>TE Connectivity\(泰科\)](#)