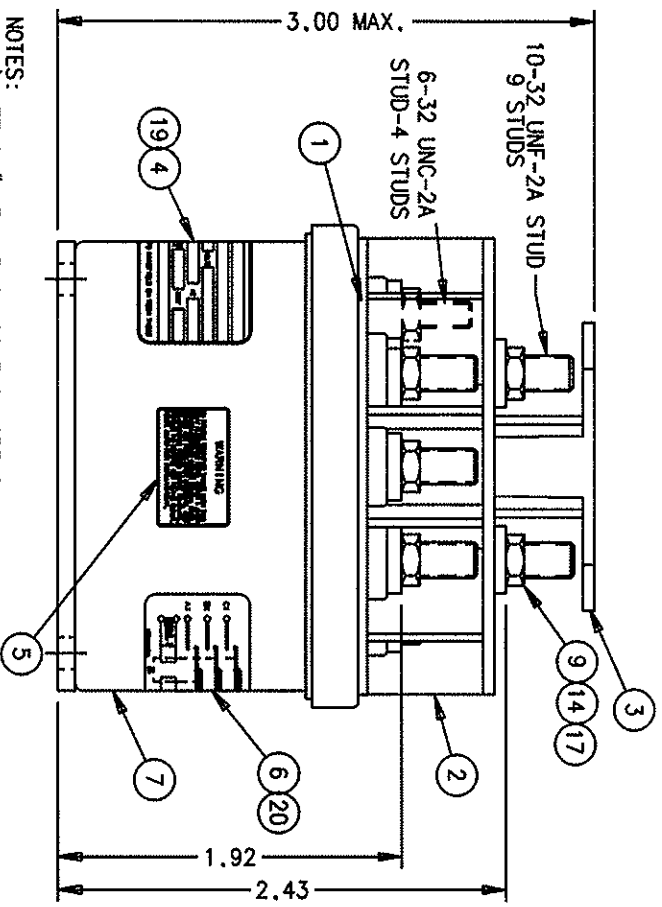
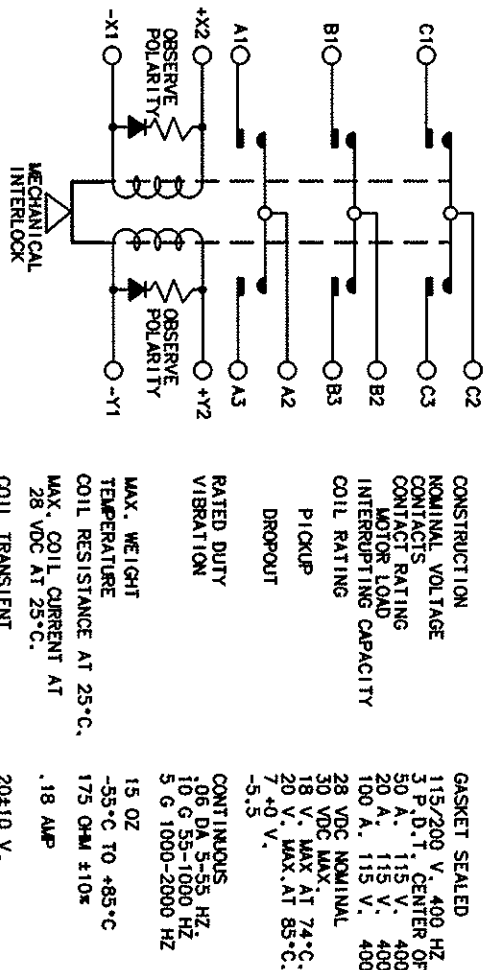
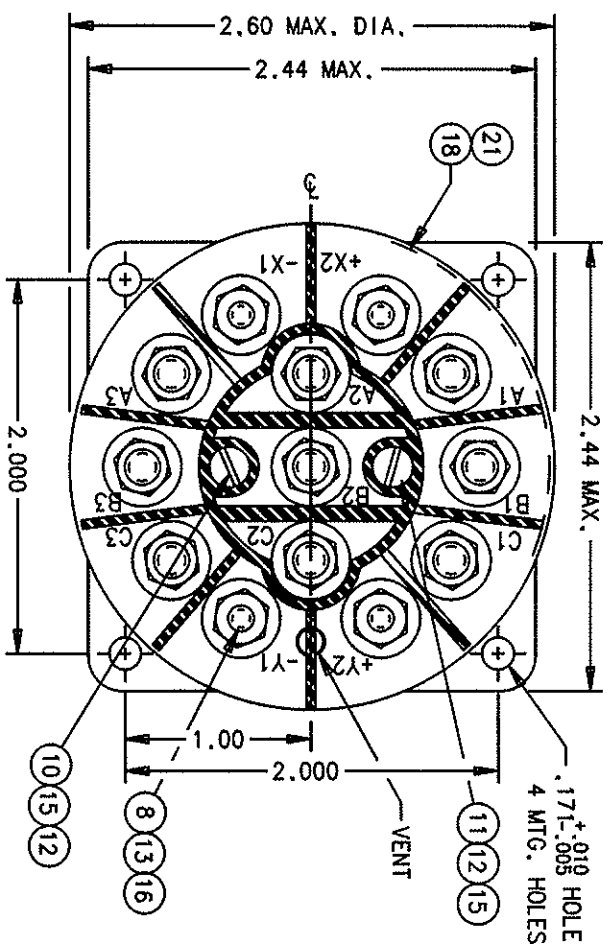


FAA-PMA

REV.	DESCRIPTION	DATE	APPROVED
39409	*QAM* REMOVED FROM REF. *VIBRATION* ADDED TO DATA, 1.00 & C/L ADDED, 1.92 & 2.43 ADDED	99/05/11	RS
Y 0370-02	ADDED NOTE 3; UPDATED BALLONS	02/11/27	CA



- NOTES:
- 1.) ITEMS #4,5 AND 6 LOCATION OPTIONAL.
  - 2.) FAA/PMA PLATE (AND OVERLAY) NOT REQUIRED ON UNITS SUPPLIED TO ORIGINAL EQUIPMENT MANUFACTURERS.
  - 3.) ITEM 2 SHOULD BE ORIENTED WITH THE CUTOUT TO THE RIGHT TO PROVIDE A SPACE FOR THE VENT.

QTY	PART OR IDENTIFYING NO	DESCRIPTION	NSN	DRAWING OR SPECIFICATION	MATERIAL OR NOTE
21	1	OVERLAY			
20	1	OVERLAY			
19	1	OVERLAY			
18	1	FAA/PMA			
17	9	WASHER-10X 10 X .062 X .047 SPLIT	AN935B10		BRONZE
16	4	WASHER-10X #6 SPLIT	AN935B6		BRONZE
15	2	WASHER-7/16 X .203 X .031	AN961-010		BRASS
14	9	WASHER-3/8 X 9/64 X .032	AN960B6		BRASS
13	4	WASHER-3/16 X .103 X .015			MYLAR
12	2	SCREW 5-40 X 3/8 RD.HD.			BRASS
11	1	SCREW 5-40 X 1 1/8 RD.HD.			BRASS
10	1	NUT 10-32 X 5/16 X 9/64			BRASS
9	9	NUT 6-32 X 1/4 X 5/64			BRASS
8	4	CONTACTOR ASSEMBLY PRIMARY			BRASS
7	1	CONTACTOR WIRING DIAGRAM			
6	1	PLATE-WARNING			
5	1	PLATE-NAME			
4	1	SHIELD-TERMINAL-TOP ZYTEL 51			
3	1	SHIELD-TERMINAL ZYTEL 51			
2	1	PLATE-BASE COVER			
1	1				

UNLESS OTHERWISE SPECIFIED DIMENSIONS ARE IN INCHES	2 PL. DEC. 15 PL. DEC. ANGLES	REF. BOEING	DR BY CSC102/11/27	18 Hartford Boulevard, 175 W. Diamond Street, Waukegan, IL 60087
*.03	*.010		CHK BY CC 02/12/67	
			ENGR MZ 02-12-05	
			MFG	
			SIZE	
			CODE IDENT	
			C	
			74063	
			SCALE 1/1	
			SHEET	

TYCO Electronics	DWG NO. D-18F
CONTACTOR - 3PDT	REF TYCO P/N 0-1616048-4
CENTER OFF	
093	

单击下面可查看定价，库存，交付和生命周期等信息

[>>TE Connectivity\(泰科\)](#)