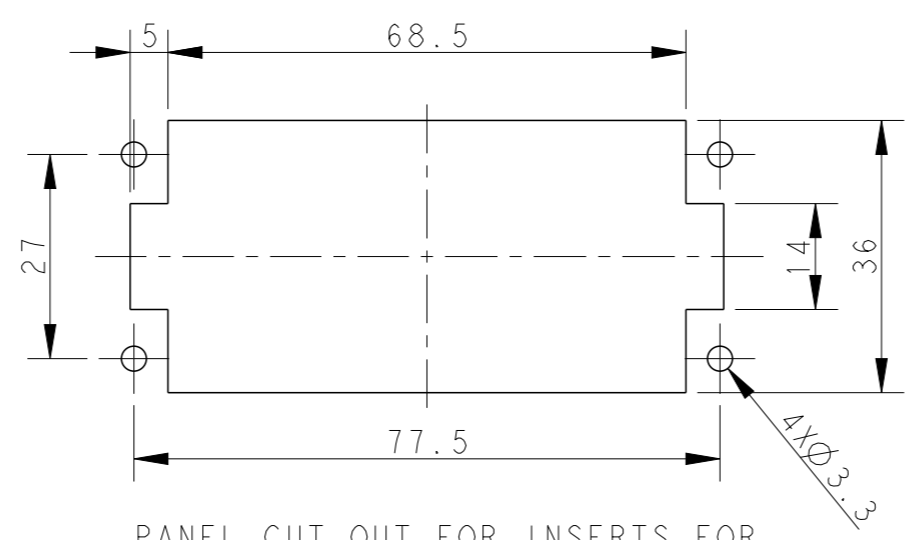
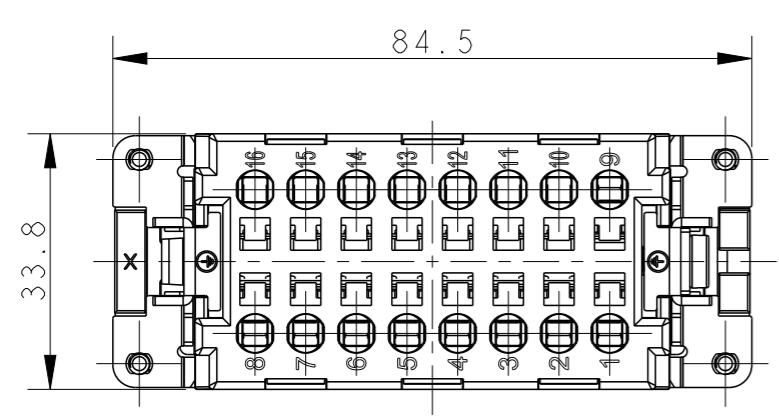


THIS DRAWING IS UNPUBLISHED. RELEASED FOR PUBLICATION 20  
 © COPYRIGHT 20 BY - ALL RIGHTS RESERVED.

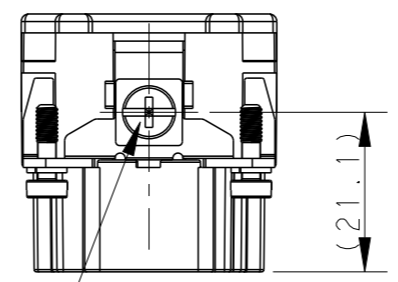
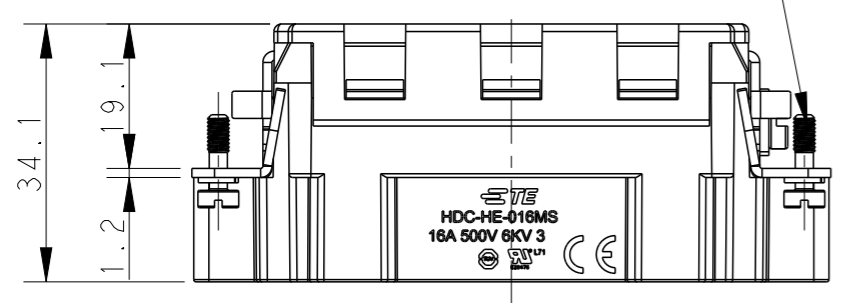
REVISIONS

P	LTR	DESCRIPTION	DATE	DWN	APVD
A		INITIAL RELEASE	15APR2015	CY	CW
B		ECR-15-013759	09OCT2015	DW	CW
B1		ECR-16-009892	13JUL2016	RL	CW
C		ECR-21-106515	09JUL2021	SQ	CW



4X M3 SCREW RECOMMENDED  
 TIGHTENING TORQUE 0.5Nm  
 4 X M3螺丝, 推荐扭力矩为 0.5Nm

PANEL CUT OUT FOR INSERTS FOR  
 USE WITHOUT HOODS/HOUSING  
 不使用防护外壳时芯件的安装开孔图



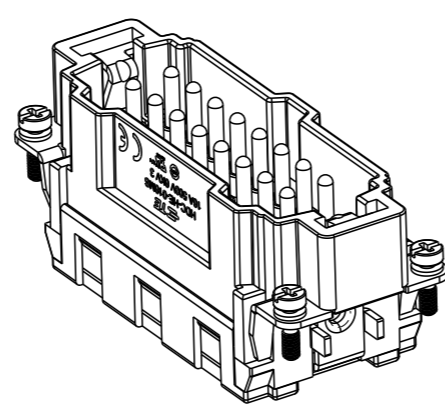
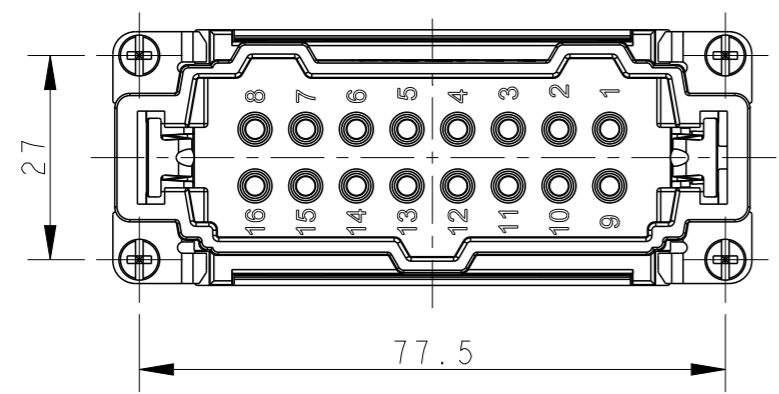
M4 SCREW, RECOMMENDED  
 TIGHTENING TORQUE 1.2Nm  
 M4螺丝, 推荐扭力矩为1.2Nm

NOTES:

- TECHNICAL CHARACTERISTICS:  
 INSULATION MATERIAL: PC  
 RATED VOLTAGE: 500V  
 RATED CURRENT: 16A  
 INSULATION RESISTANCE:  $\geq 400M\Omega$   
 RATED IMPULSE VOLTAGE: 6KV  
 POLLUTION DEGREE: 3  
 FLAMMABILITY: UL94V-0  
 MATING CYCLES: 500 CYCLES  
 WIRE RANGE:  $0.5mm^2 \sim 2.5mm^2$  (AWG20-AWG14)  
 CONTACT FINISH: SILVER PLATED  
 CONTACT TYPE: SPRING CLAMP

注释:

- 技术参数:  
 绝缘材料: PC  
 额定电压: 500V  
 额定电流: 16A  
 绝缘电阻:  $\geq 400M\Omega$   
 脉冲电压: 6KV  
 污染等级: 3  
 阻燃等级: UL94V-0  
 插拔次数: 500 次  
 接线范围:  $0.5mm^2 \sim 2.5mm^2$  (AWG20-AWG14)  
 端子表面处理: 镀银  
 接线类型: 弹片压接



T2040163101-001	HE-016-MS	HE-016 MALE INSERT, STAINLESS STEEL SCREW, SPRING CLAMP HE-016公插,带不锈钢螺丝,弹片	STAINLESS STEEL	STAINLESS STEEL
T2040163101-000	HE-016-MS	HE-016 MALE INSERT, SPRING CLAMP HE-016公插,弹片	STEEL	STEEL
PART NUMBER 料号	PART DESCRIPTION 描述	FIXING SCREW MAT'L 压线螺丝材质	GROUND CONTACT SCREW MAT'L 接地连接螺丝材质	

THIS DRAWING IS A CONTROLLED DOCUMENT.

DIMENSIONS: mm	TOLERANCES UNLESS OTHERWISE SPECIFIED: 0 PLC ± 1 PLC ± 2 PLC ± 3 PLC ± 4 PLC ± ANGLES ±	MATERIAL -	FINISH -
-------------------	---	---------------	-------------

DWN Gino.Yao 15APR2015	CHK Chris.Wang 15APR2015	APVD Xiang.Xu 15APR2015	NAME HE-016-MS
PRODUCT SPEC 108-137044			SIZE A3
APPLICATION SPEC 114-137044			CAGE CODE 00779
WEIGHT -			DRAWING NO T2040163101000
Customer Drawing			RESTRICTED TO -
SCALE 4:5		SHEET 1 OF 1	REV C

**STE** TE Connectivity

单击下面可查看定价，库存，交付和生命周期等信息

[>>TE Connectivity\(泰科\)](#)