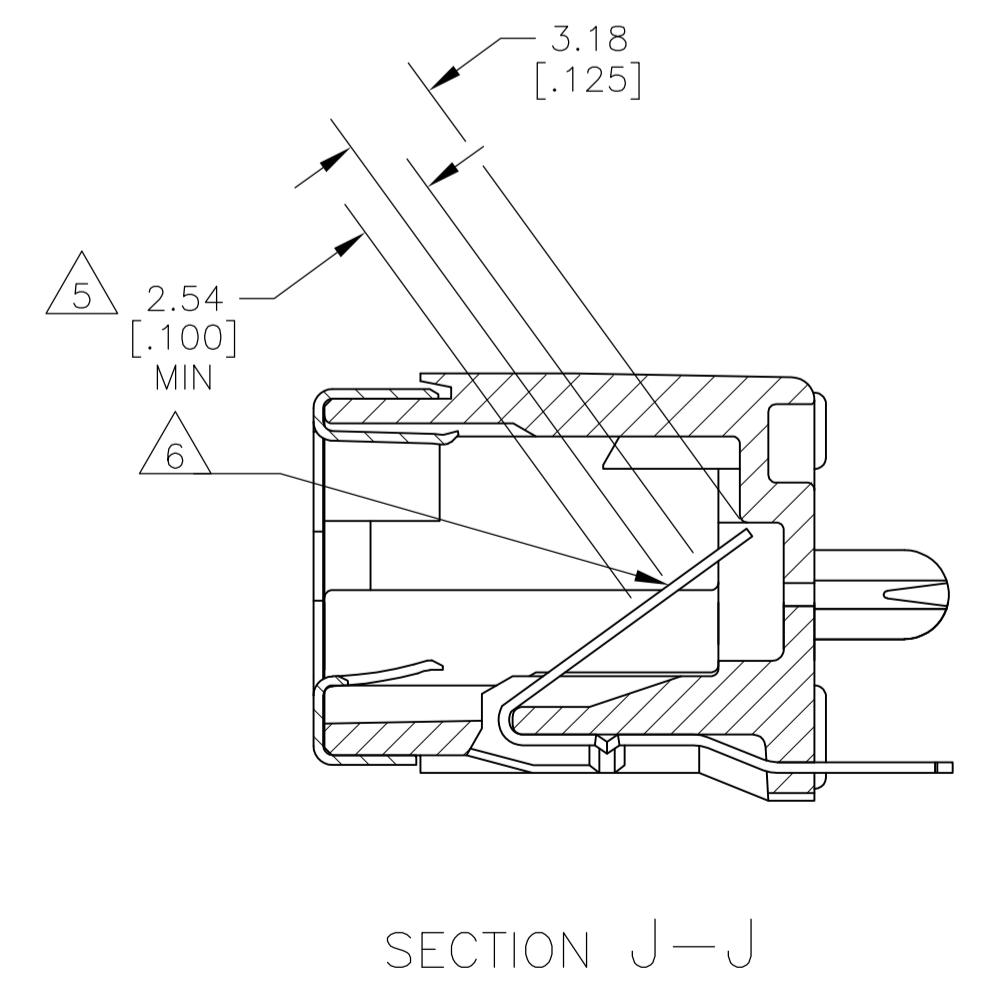
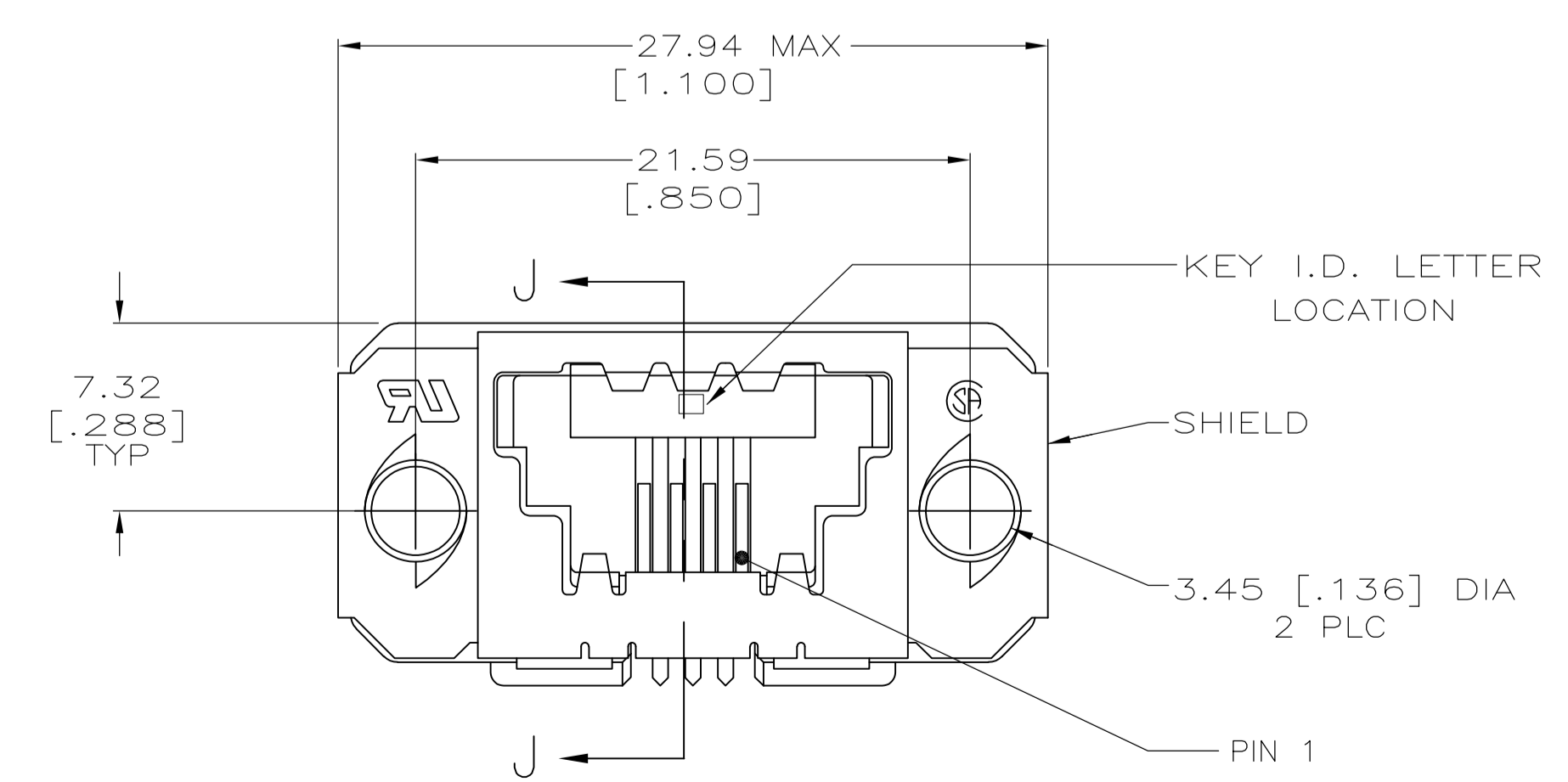
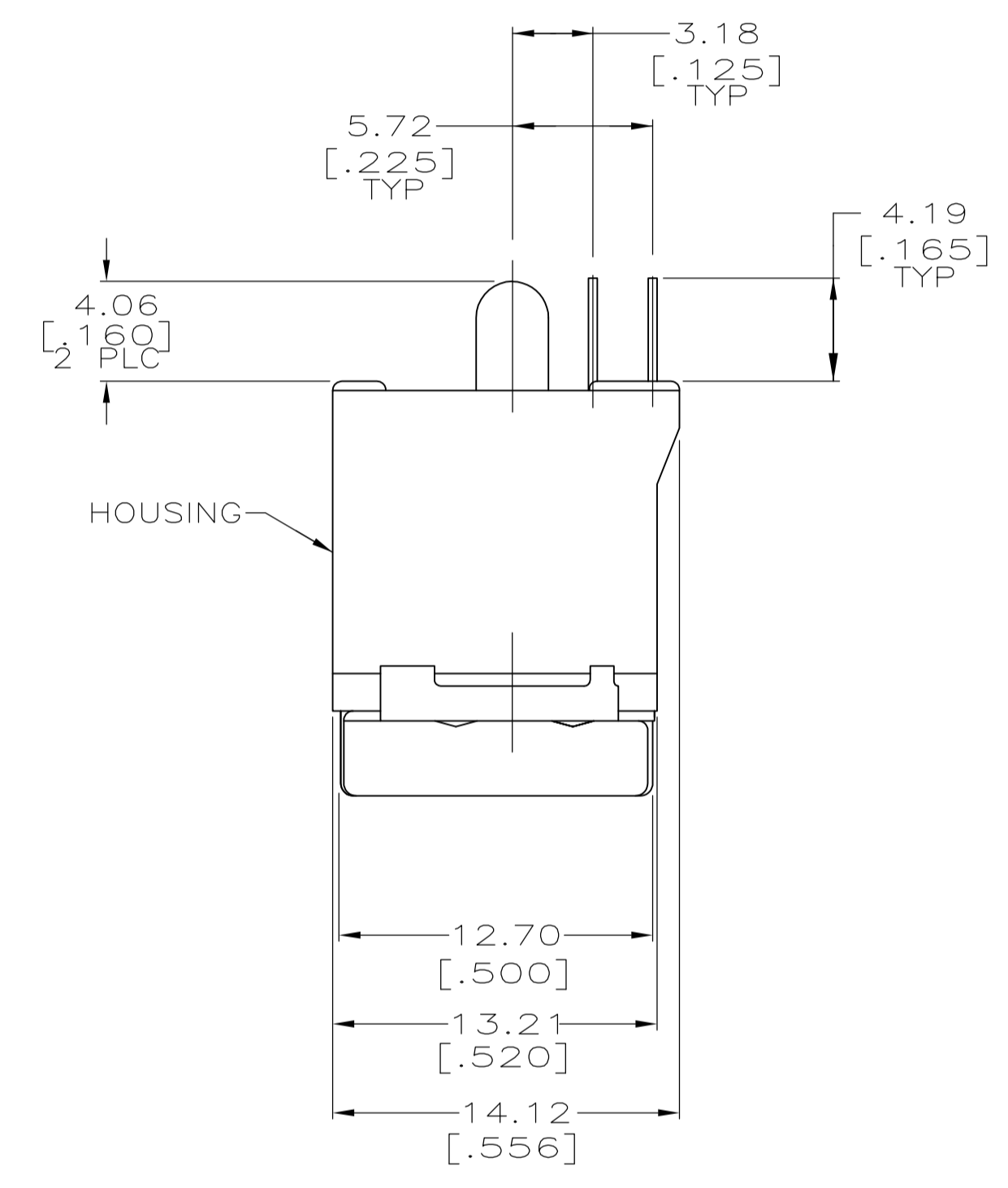
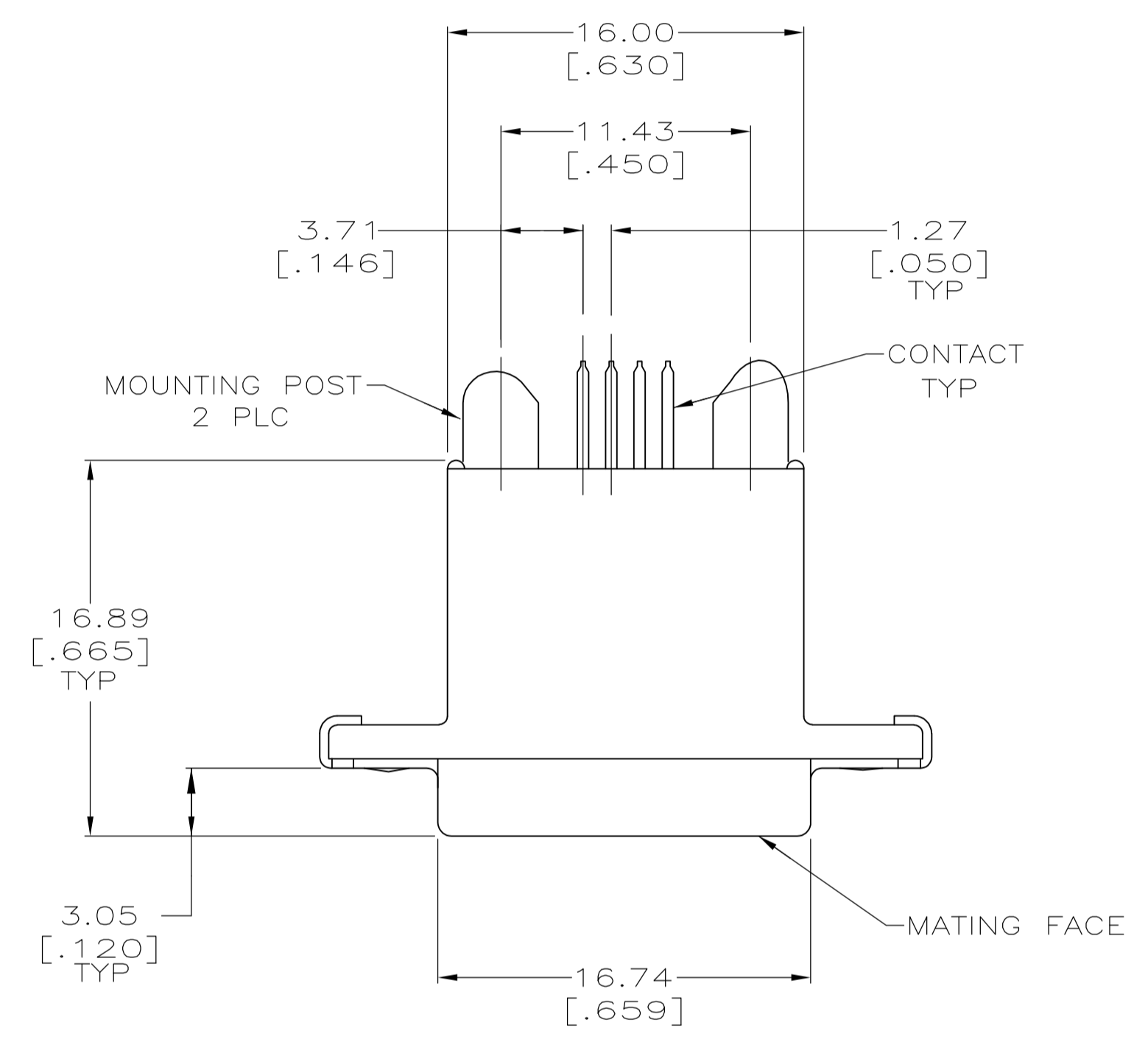


| LOC | | DIST | | REVISIONS | | | |
|-----|-----|---------------------------|-----------|-----------|------|--|--|
| PL | LYR | DESCRIPTION | DATE | DMN | APVD | | |
| A | | REVISED PER ECO-11-019758 | 15FEB2012 | CJV | CWR | | |

- PREFIX AND SUFFIX NUMBERS MUST MATCH THOSE ON PLUG ASSEMBLY FOR PARTS TO MATE.
- POLYESTER, FLAME RETARDANT, UL 94V-0 RATED, GLASS FILLED, BLACK.
- 0.76µm [.000030] MIN BRIGHT TIN OVER 1.27µm [.000050] MIN NICKEL.
- 1.27µm [.000050] MIN GOLD ON MATING SURFACE FOR A LENGTH OF 2.54 [.100] MIN, 3.81µm [.000150] MIN MATTE TIN ON OPPOSITE END FOR A LENGTH OF 3.81 [.150] MIN, BOTH OVER 1.27µm [.000050] MIN NICKEL ON ENTIRE CONTACT.
- DIMENSION INDICATES CONTACT MATING AREA.
- PLATING MEASUREMENT POINT.



| | |
|-----------------|-------------|
| D | 4-1761207-1 |
| KEY I.D. LETTER | PART NO |

| | | | | |
|--|--------------------------|---------------------------|---------------------|--|
| THIS DRAWING IS A CONTROLLED DOCUMENT. DIMENSIONING AND TOLERANCING PER ASME Y14.5M-2009 | | DIN B MCMMASTER 18FEB04 | ROHMTE Connectivity | |
| DIMENSIONS: mm[INCHES] | | CJK C ROHDE 30APR04 | NAME | |
| TOLERANCES UNLESS OTHERWISE SPECIFIED: | | APVD M WALMSLEY 30APR04 | PRODUCT SPEC | |
| 0 PLC ± - | | 108-2047 | | |
| 1 PLC ± - | | APPLICATION SPEC | | |
| 2 PLC ± 0.38 [.015] | | 114-2081 | | |
| 3 PLC ± - | | SIZE CAGE CODE DRAWING NO | | |
| 4 PLC ± - | | A1 00779 C=1761207 | | |
| ANGLES ± - | | RESTRICTED TO | | |
| MATERIAL: HOUSING: SHIELD: BRASS CONTACT: PHOS BRONZE | FINISH: SHIELD: CONTACT: | WEIGHT: - | CUSTOMER DRAWING | |
| | | SCALE: 4:1 | SHEET 1 OF 1 REV A | |

单击下面可查看定价，库存，交付和生命周期等信息

[>>TE Connectivity\(泰科\)](#)