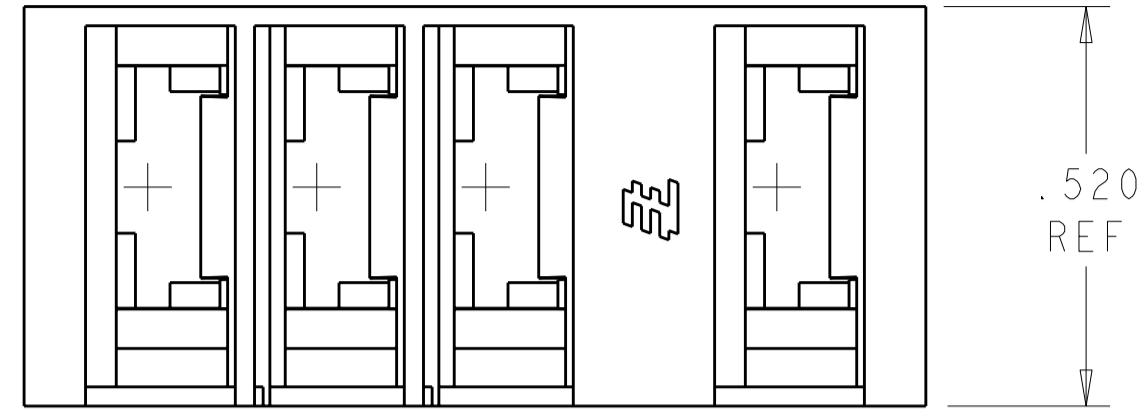
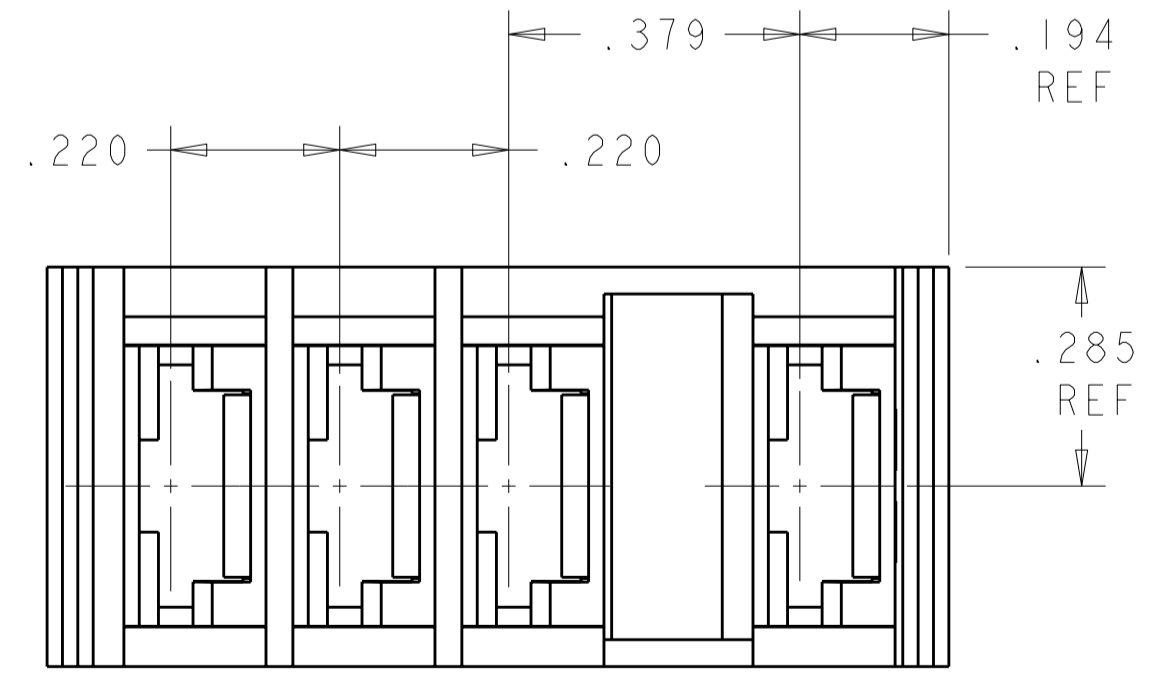
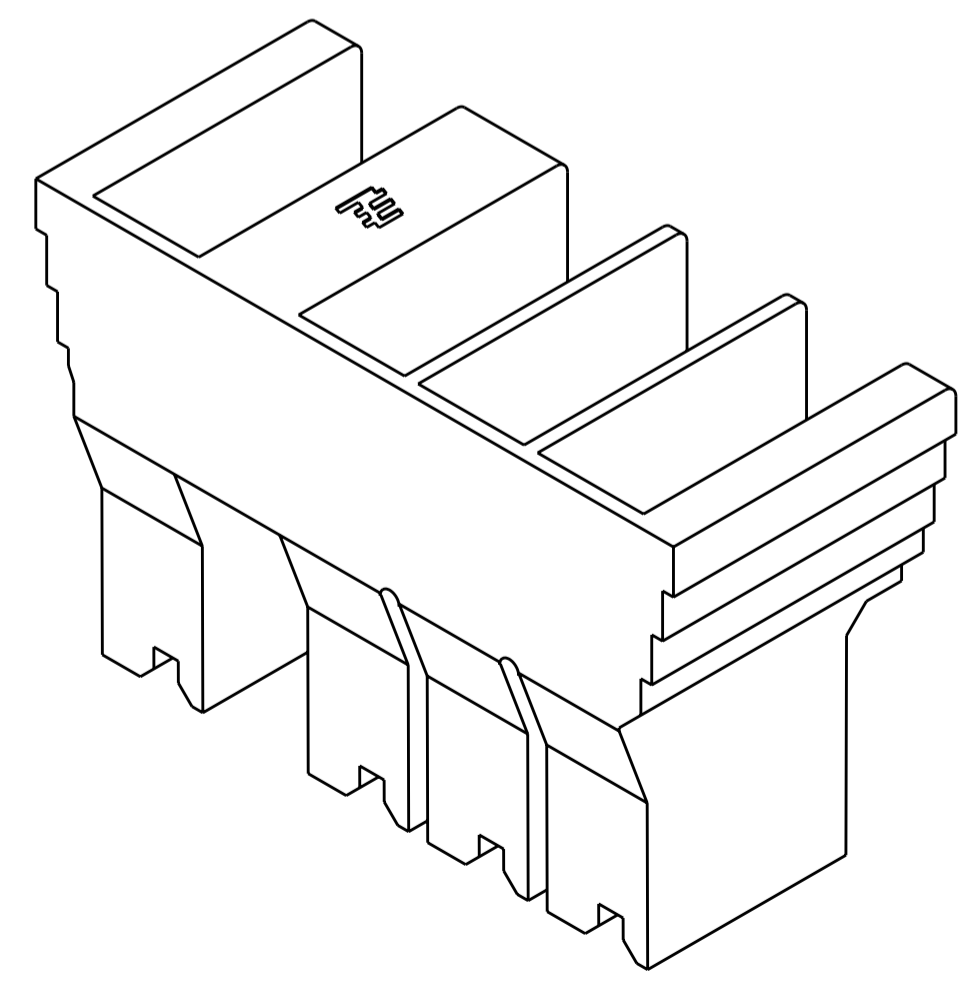
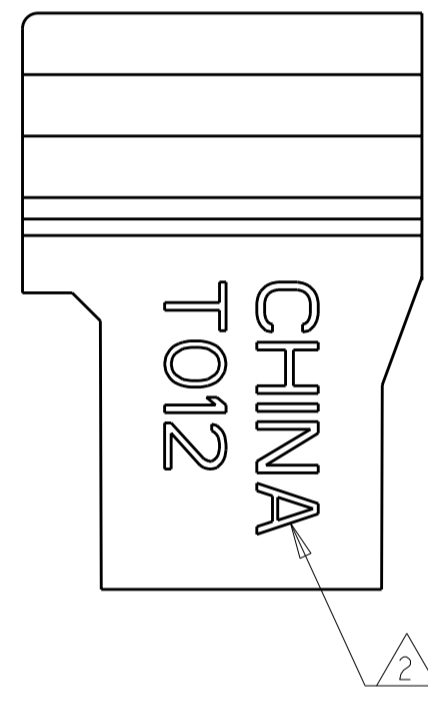
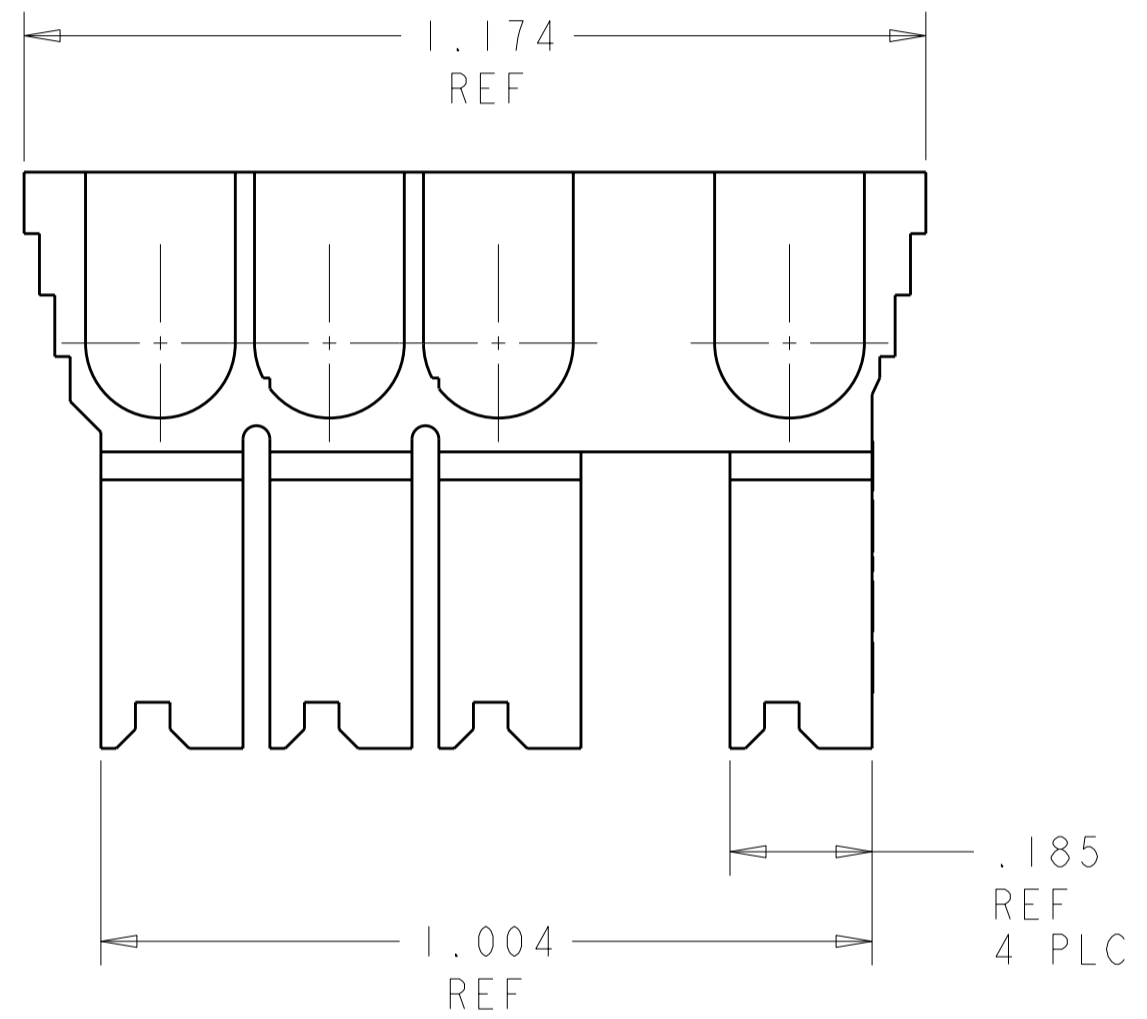
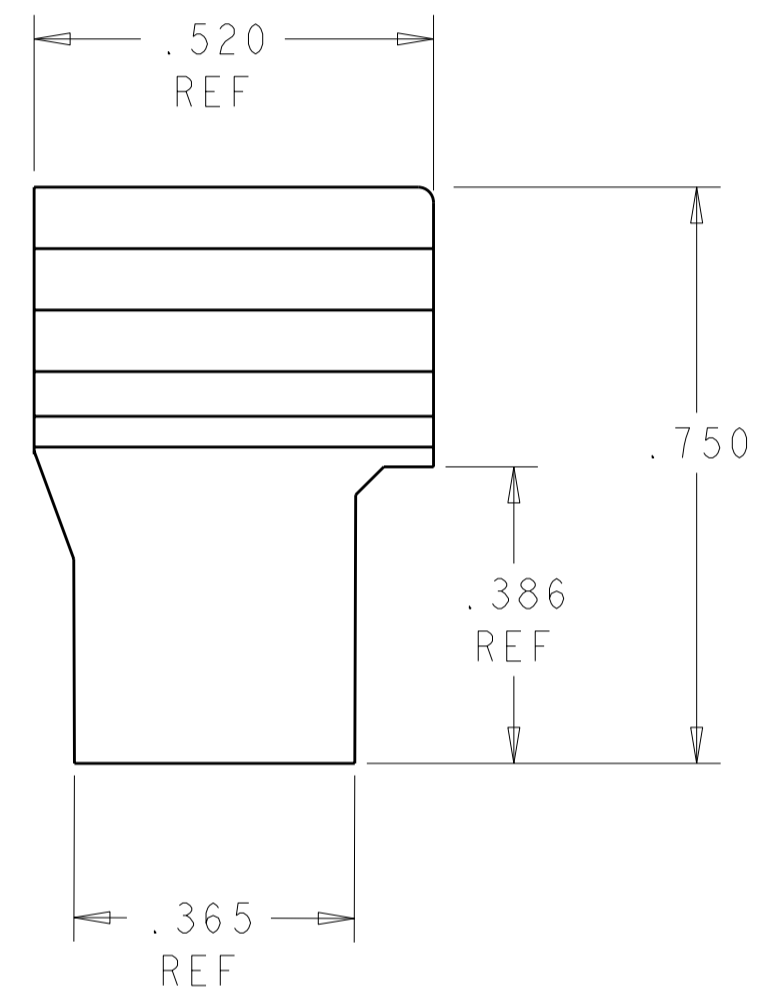


THIS DRAWING IS UNPUBLISHED. RELEASED FOR PUBLICATION 20
 © COPYRIGHT 20 BY TYCO ELECTRONICS CORPORATION. ALL RIGHTS RESERVED.

LOC	DIST	REVISIONS			
P	LTR	DESCRIPTION	DATE	DWN	APVD
AF	50	K1	REVISED PER ECR-10-021735	260T10	JR PD



1. FOR USE WITH TE TERMINALS 63445-1 AND 63445-2
 2. COUNTRY OF ORIGIN AND VENDOR CODE



BLACK	6/6 NYLON	521661-1
COLOR	MATERIAL	PART NUMBER

THIS DRAWING IS A CONTROLLED DOCUMENT FOR TYCO ELECTRONICS CORPORATION. IT IS SUBJECT TO CHANGE AND THE CONTROLLING ENGINEERING ORGANIZATION SHOULD BE CONTACTED FOR THE LATEST REVISION.		DWN	20AUG2003	Tyco Electronics Harrisburg, PA 17105-3608			
DIMENSIONS: INCHES		CHK	20AUG2003				
TOLERANCES UNLESS OTHERWISE SPECIFIED:		APVD	20AUG2003				
0 PLC ± 1 PLC ± 2 PLC ± 3 PLC ±.010 4 PLC ± ANGLES ±2° FINISH		NAME	HOUSING, RECP, FASTON, FLAG, .250 SERIES				
MATERIAL		PRODUCT SPEC	-	SIZE	CAGE CODE	DRAWING NO	RESTRICTED TO
SEE TABLE		APPLICATION SPEC	-	A2	00779	521661	-
		WEIGHT	-	CUSTOMER DRAWING		SCALE	SHEET OF REV
						4:1	1 1 K1

单击下面可查看定价，库存，交付和生命周期等信息

[>>TE Connectivity\(泰科\)](#)