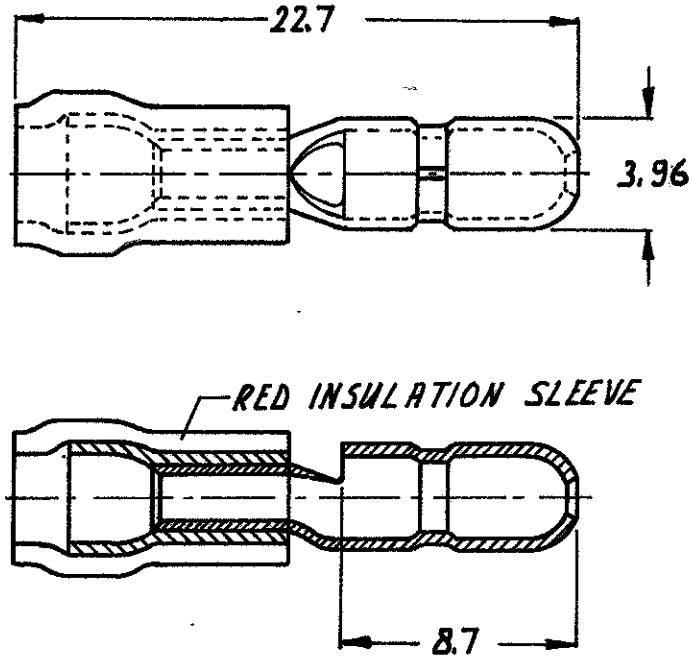



NUMBER C-165590



To be crimped with a SUPERCHAMP hand tool only.

MATERIAL THICKNESS : 0.4

DIMENSIONS IN M.M. DO NOT SCALE PRINT

CUSTOMER COPY FOR REFERENCE ONLY					
©1980 BY AMP-HOLLAND N.V. ALL RIGHTS RESERVED A-MP PRODUCTS COVERED BY PATENTS AND/OR PATENTS PENDING.					 AMP - HOLLAND N.V. 's-Hertogenbosch
WIRE-RANGE	INSUL.-RANGE	FIRST USED			
0.25-1.6 mm ²	3.5 MAX.				
ORDER NO.	MATERIAL	PLATING	SCALE	SIZE	NO
165590-1	BRASS	TIN	#	A	C-165590
DR	R.V.H.	DATE	18.11.80	DE	DATE
CHK	[Signature]	DATE	13/11.80	APP	DATE
			NAME		REV
			SHUR PLUG 3.96 mm. DIA.		A

单击下面可查看定价，库存，交付和生命周期等信息

[>>TE Connectivity\(泰科\)](#)