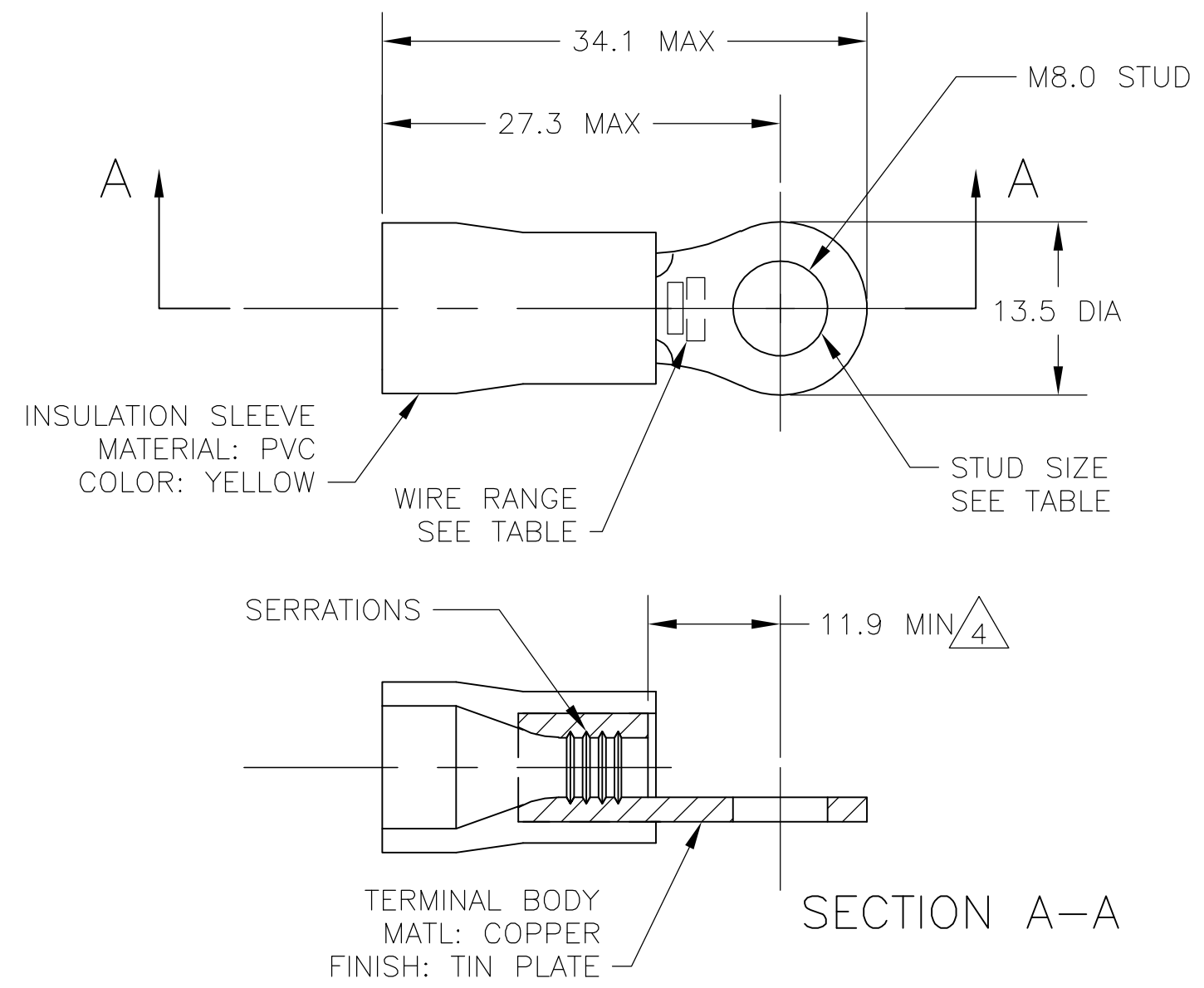


THIS DRAWING IS UNPUBLISHED. RELEASED FOR PUBLICATION
 © COPYRIGHT BY TYCO ELECTRONICS CORPORATION. ALL RIGHTS RESERVED.

LOC	DIST	REVISIONS			
P	LTR	DESCRIPTION	DATE	DWN	APVD
G	02	R1	REV PER ECR-06-001930	13FEB06	HMR TM



- 1 WIRE SIZE IS 12-10 AWG
- 2 WIRE INSULATION DIA: 3.8-6.4
- 3 MATERIAL THICKNESS IS 1.0
- 4 DIMENSION APPLIES FROM EDGE OF METAL WIRE BARREL TO END OF PIN.
- 5 SUPERSEDED BY 342186-1

POLY BAG WITH HEADER	STANDARD	50	5 7-342186-1
PLASTIC BOX	STANDARD	50	5 6-342186-1
PLASTIC BAG	STANDARD	500	342186-1
PACKAGING	LABELLING	QTY	PART NO

DIMENSIONS: INCHES		TOLERANCES UNLESS OTHERWISE SPECIFIED:		DWN: jr ruth 02DEC05		CHK: T MICHIELUTTI 02DEC05		APVD: T MICHIELUTTI 02DEC05		NAME: T MICHIELUTTI		PRODUCT SPEC: -		APPLICATION SPEC: -		WEIGHT: -		SIZE: A2		CAGE CODE: 00779		DRAWING NO: C=342186		RESTRICTED TO: -	
0 PLC	±	-																							
1 PLC	±	0.5																							
2 PLC	±	-																							
3 PLC	±	-																							
4 PLC	±	-																							
ANGLES	±	1°																							
MATERIAL	-																								
THIS DRAWING IS A CONTROLLED DOCUMENT.												CUSTOMER DRAWING		SCALE: 5:1		SHEET: 1 of 1		REV: R1							

单击下面可查看定价，库存，交付和生命周期等信息

[>>TE Connectivity\(泰科\)](#)