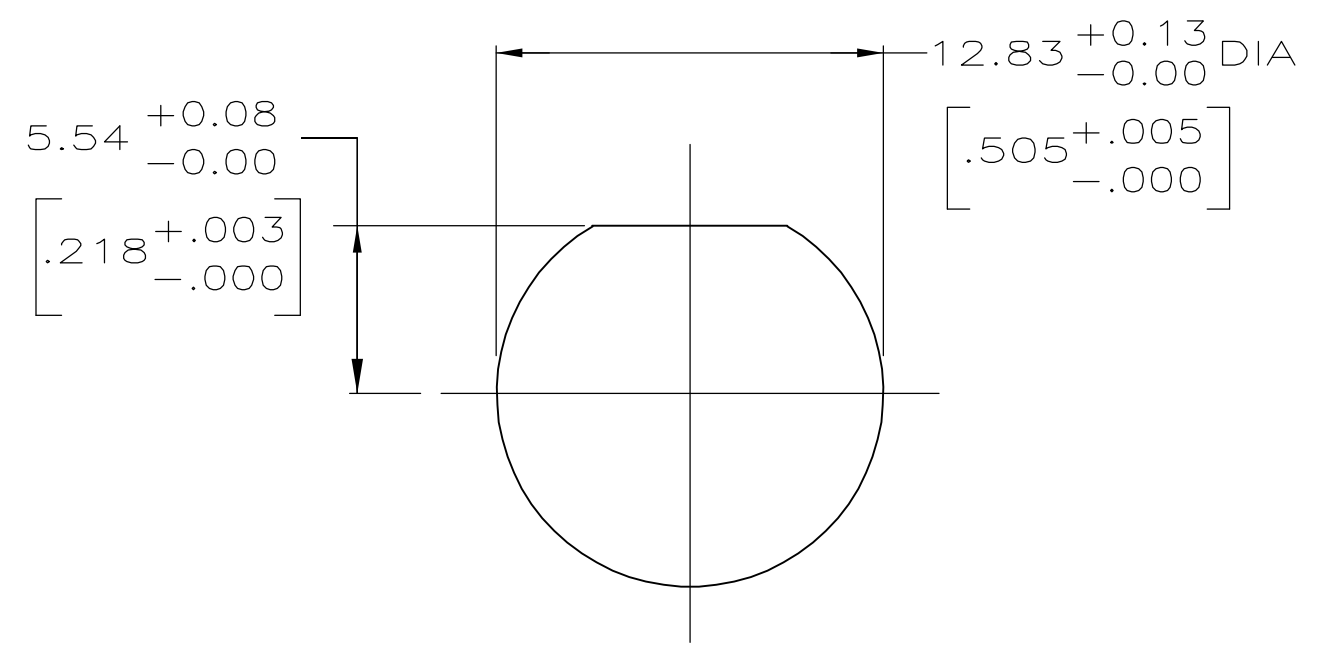
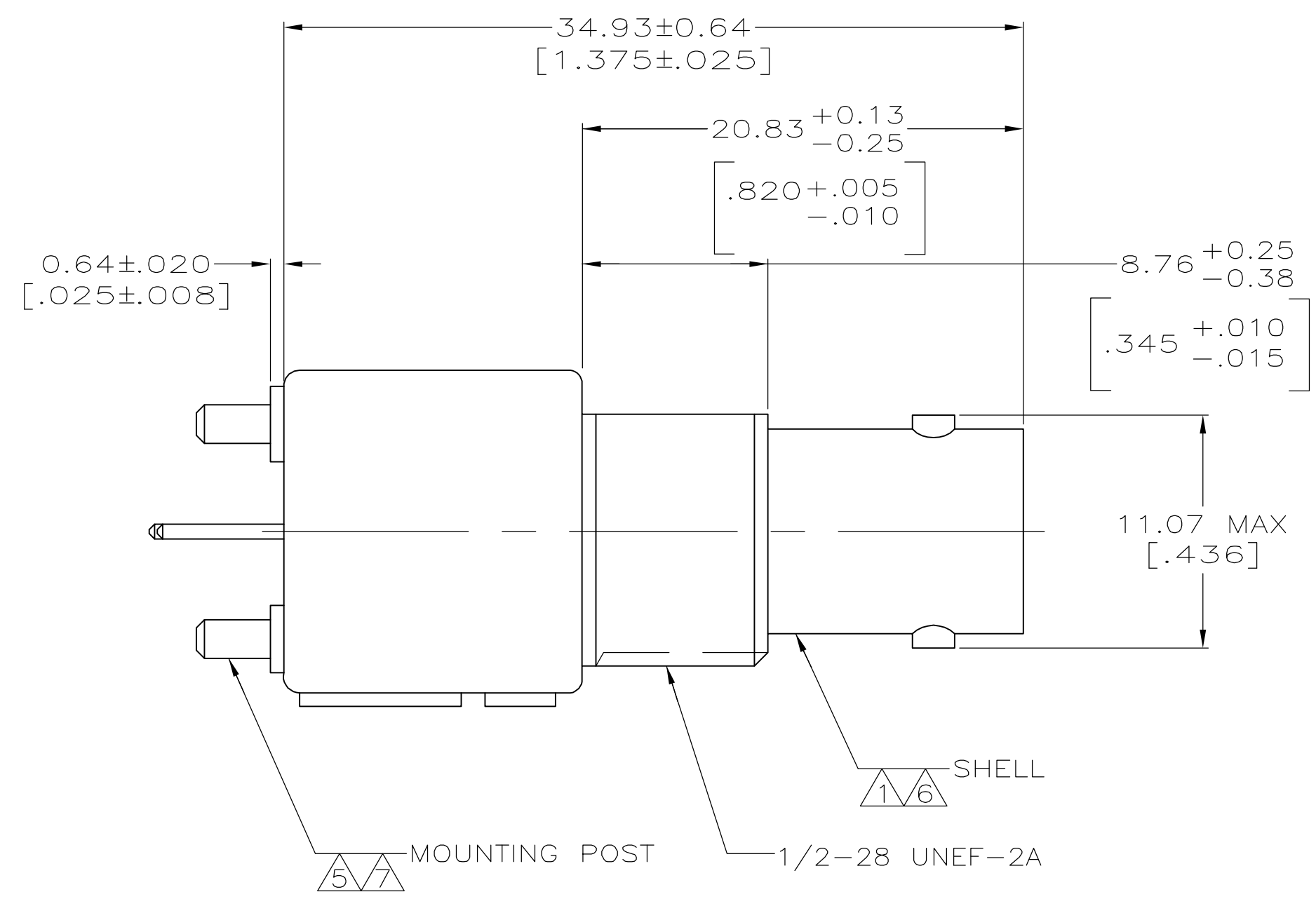
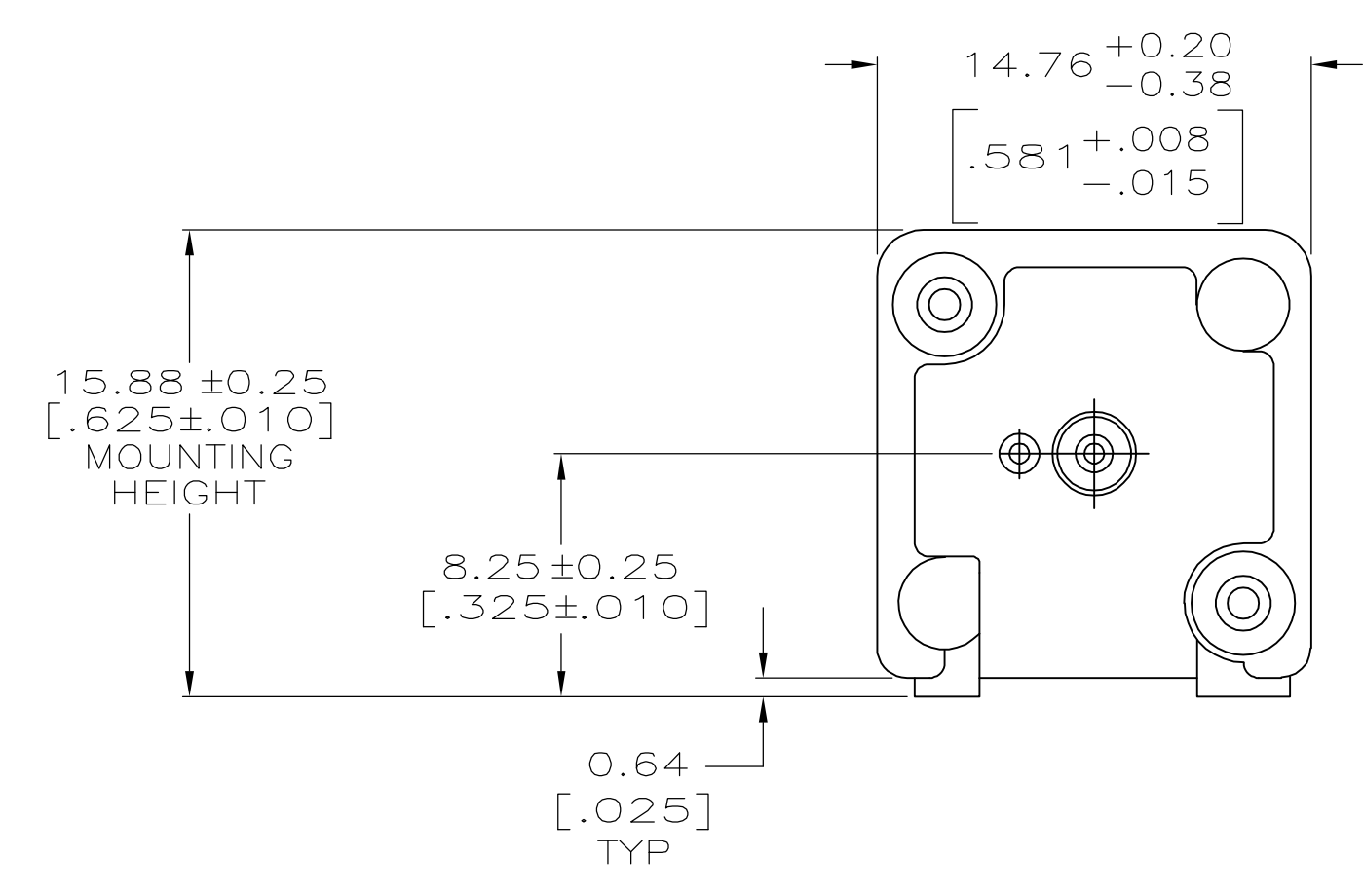
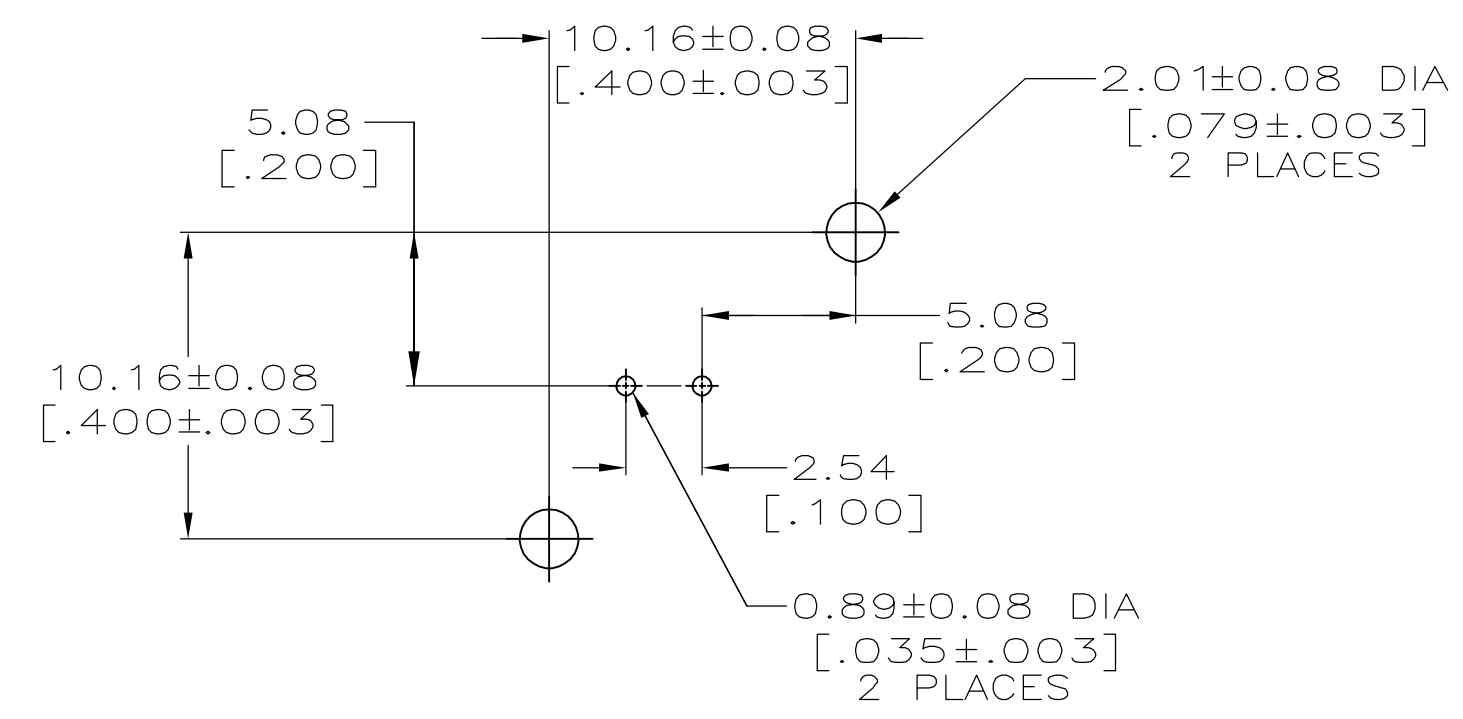


- 1 ZINC PER QQ-Z-363.
- 2 POLYMETHYLPENTENE PER ASTM-D-1238.
- 3 PHOSPHOR BRONZE PER QQ-B-750.
- 4 BRASS PER ASTM-B-453.
- 5 BRASS PER ASTM-B-16.
- 6 NICKEL PLATE PER QQ-N-290,
3.81µm [.000150] MINIMUM THICK.
- 7 TIN PLATE PER ASTM-B-545,
3.81µm [.000150] MINIMUM THICK.
- 8 GOLD PLATE PER ASTM-B-488,
0.76µm [.000030] MINIMUM THICK.
- 9. SEE INSTRUCTION SHEET 408-2769.



RECOMMENDED PANEL CUTOUT



PCB CONFIGURATION

5227673-1
PART NUMBER

THIS DRAWING IS A CONTROLLED DOCUMENT.		DWN L. VARELA - 20APR2005		Tyco Electronics Corporation Harrisburg, Pa 17105-3608
DIMENSIONS: mm [INCHES]		CHK J. HAVENER - 20APR2005		APPRO J. LIPPERT - 20APR2005
TOLERANCES UNLESS OTHERWISE SPECIFIED:		PRODUCT SPEC 108-12078		JACK, VERTICAL, PCB, 50 OHM, SERIES BNC
0 PLC ± -		APPLICATION SPEC		SIZE
1 PLC ± -		-		CAGE CODE
2 PLC ± 0.05 [.002]		-		DRAWING NO
3 PLC ± -		-		RESTRICTED TO
4 PLC ± -		-		A1 00779
ANGLES ± -		-		©=5227673
FINISH SEE NOTES 6-8		WEIGHT		SCALE 4:1
MATERIAL SEE NOTES 1-5		CUSTOMER DRAWING		SHEET 1 OF 1
				REV A

单击下面可查看定价，库存，交付和生命周期等信息

[>>TE Connectivity\(泰科\)](#)