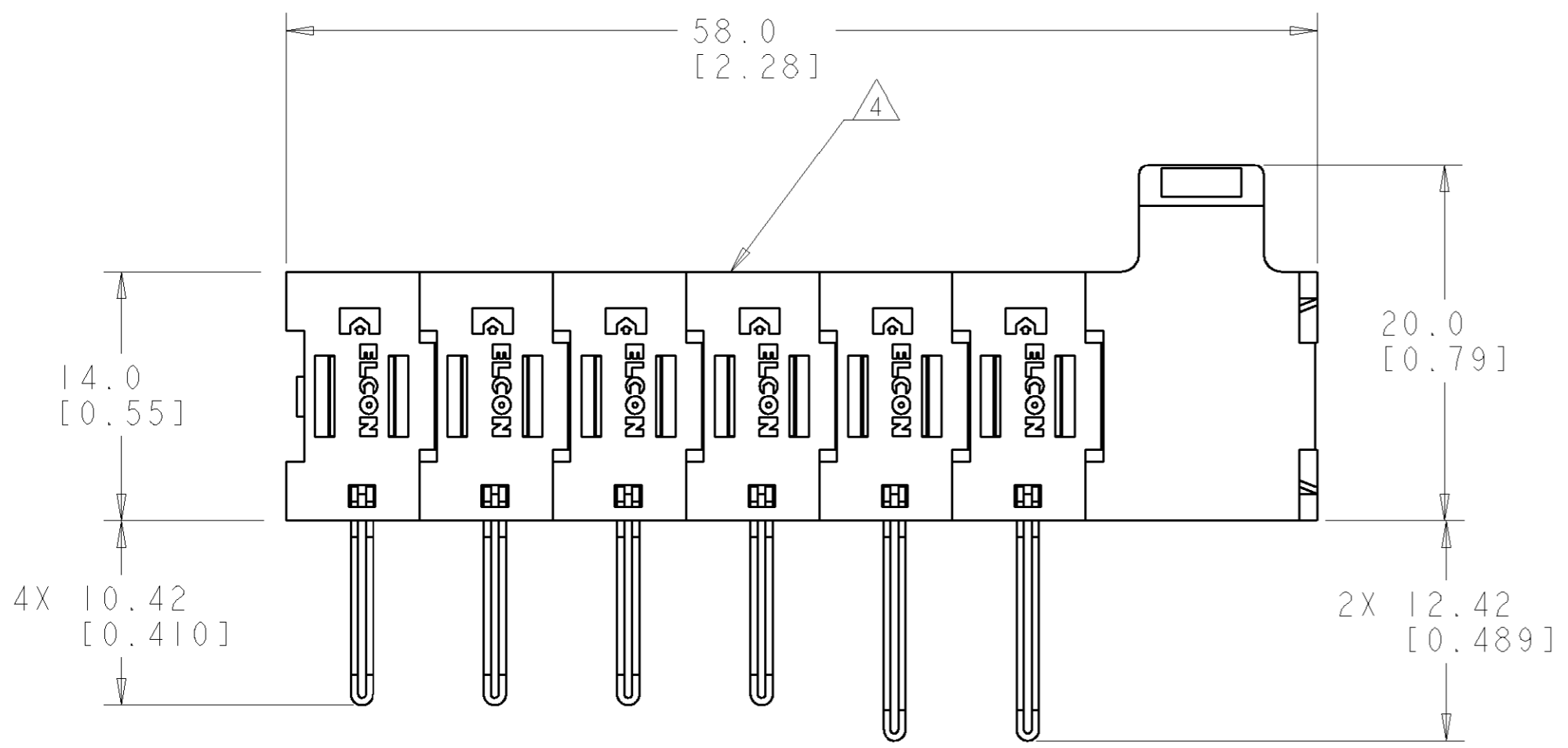


THIS DRAWING IS UNPUBLISHED. RELEASED FOR PUBLICATION 20
 © COPYRIGHT 20 BY TYCO ELECTRONICS CORPORATION. ALL RIGHTS RESERVED.

LOC	DIST	REVISIONS					
GP	00	P	LTR	DESCRIPTION	DATE	DWN	APVD
		A		NEW RELEASE	01MAR2007	RG	PD



- PART NUMBER CHANGES AND OR DESIGN CHANGES AFFECTING ITEM INTERCHANGEABILITY REQUIRE PRIOR TYCO APPROVAL AND AUTHORIZATION BY REVISION TO THIS DRAWING.
- MATERIAL:
 - INSULATORS - THERMOPLASTIC, GLASS REINFORCED, COLOR: BLACK, UL94V-0 FLAMMABILITY RATED.
 - POWER CONTACTS - PHOSPHOR BRONZE ALLOY, COPPER ALLOY
 - CROWN BANDS - BERYLLIUM COPPER ALLOY
 - SIGNAL CONTACTS - BRASS ALLOY
- FINISH:
 - CONTACTS - GOLD PLATE .76µm MIN. THK. OVER NICKEL 1.27µm MIN. THK.
 - SOLDER TAILS TIN 3.05µm MIN. THK. OVER NICKEL 1.27µm MIN. THK.

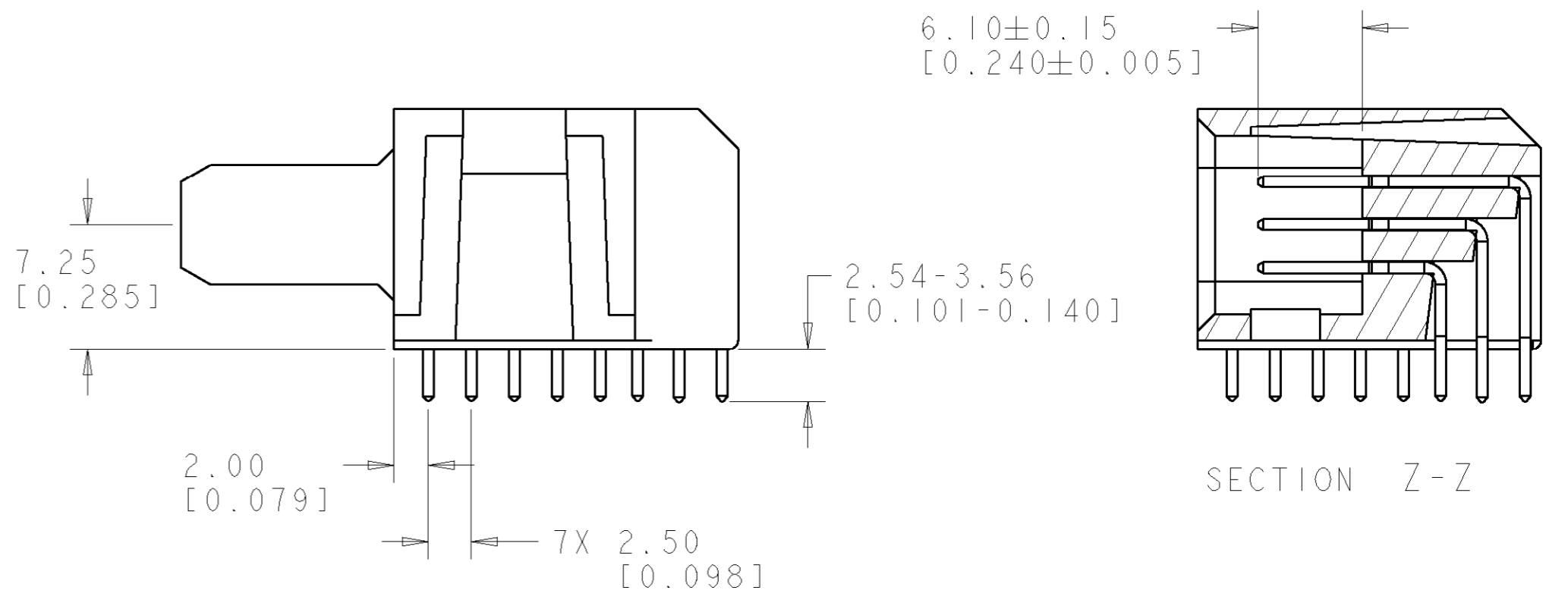
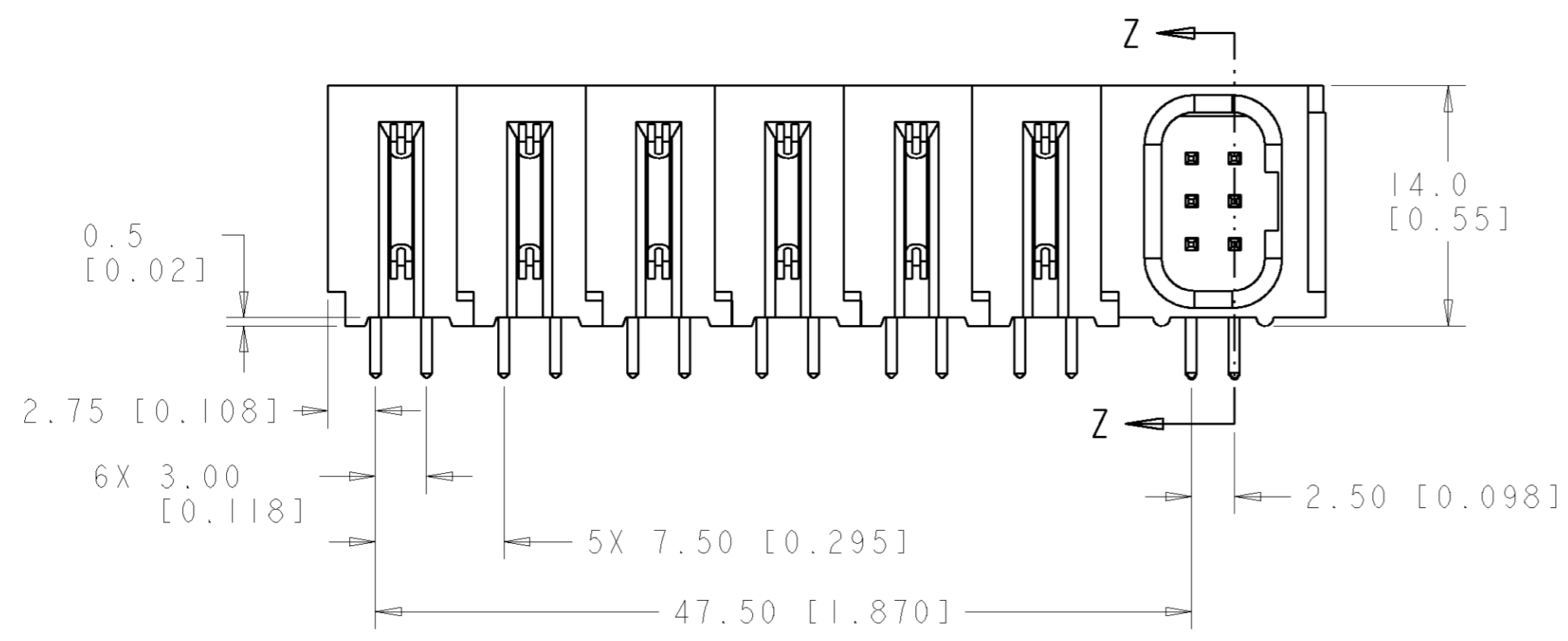
△ ITEMS PROVIDED TO THIS SPECIFICATION TO BE PERMANENTLY IDENTIFIED PER THE FOLLOWING IDENTIFIER LABEL

YEAR | WEEK

TYCO PART NO. & REV DATE CODE (e.g. 0106)

XXXXXXXX-X XXXX

5. CONNECTOR MATES WITH 1926428-1



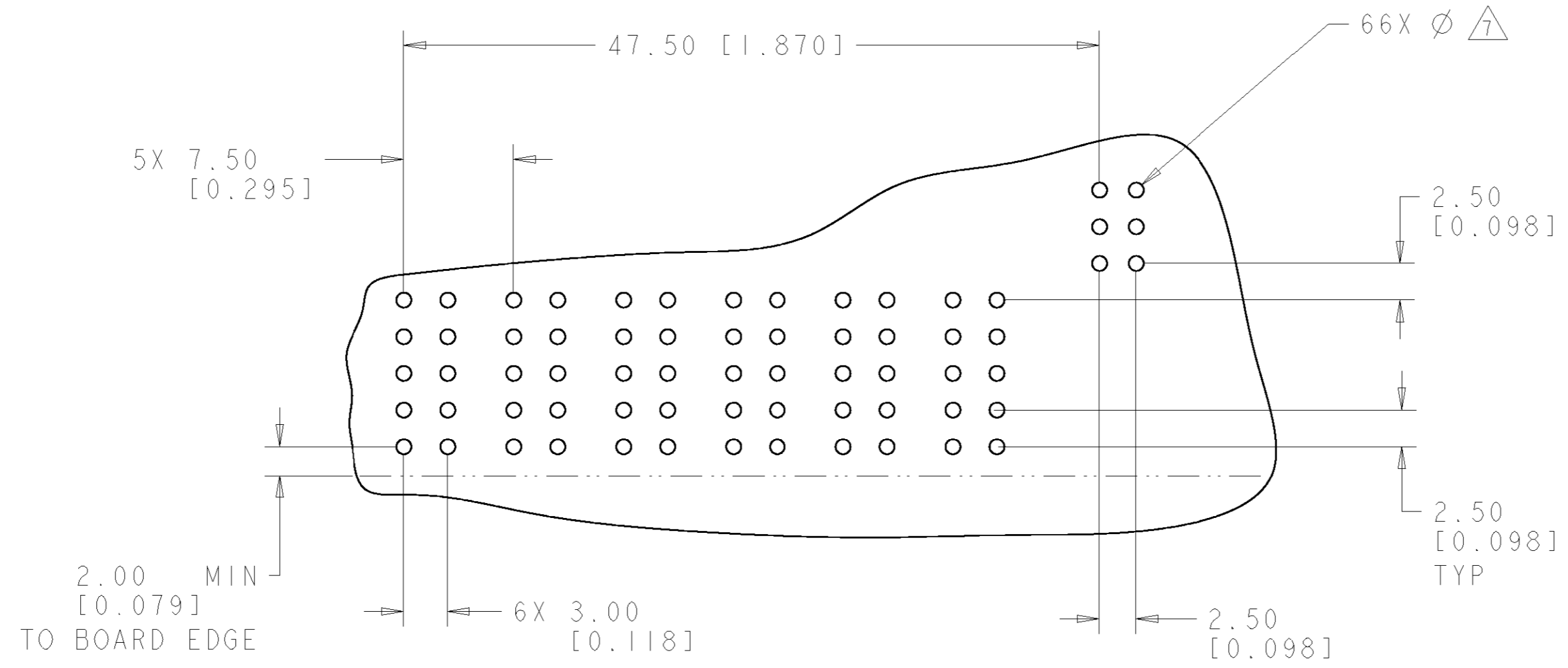
ELCON FLATPAQ

THIS DRAWING IS A CONTROLLED DOCUMENT FOR TYCO ELECTRONICS CORPORATION. IT IS SUBJECT TO CHANGE AND THE CONTROLLING ENGINEERING ORGANIZATION SHOULD BE CONTACTED FOR THE LATEST REVISION.		DWN R. GRZYBOWSKI CHK P. DAMATO APVD S. FLICKINGER
DIMENSIONS: mm [INCHES]	TOLERANCES UNLESS OTHERWISE SPECIFIED: 0 PLC ±.5 [.020] 1 PLC ±.25 [.010] 2 PLC ±.25 [.010] 3 PLC ±.25 [.010] 4 PLC ±.25 [.010] ANGLES ±.5	PRODUCT SPEC APPLICATION SPEC WEIGHT
MATERIAL	FINISH	CUSTOMER DRAWING

AS SHOWN	1926427-1
DESCRIPTION	PART NUMBER
tyco Tyco Electronics Harrisburg, PA 17105-3608	
NAME PIN CONNECTOR, RIGHT ANGLE, SOLDER TAILS	
SIZE	RESTRICTED TO
A200779	-
CAGE CODE	DRAWING NO.
G-1926427	-
SCALE 3:1	SHEET 1 OF 3 REV A

THIS DRAWING IS UNPUBLISHED. RELEASED FOR PUBLICATION 20
 © COPYRIGHT 20 BY TYCO ELECTRONICS CORPORATION. ALL RIGHTS RESERVED.

LOC	DIST	REVISIONS					
GP	00	P	LTR	DESCRIPTION	DATE	DWN	APVD
		-		SEE SHEET 1	-	-	-



PRINTED CIRCUIT LAYOUT
SCALE 3:1

CONNECTOR	CATALOG MODULE #	QTY	SIZE NO.	CONTACT QTY	MATING PIN	MAX. CURRENT (PER CONTACT)	CONTACT SPACING	VOLTAGE RATING
PIN	FPI05	4	8	8	1.25 X 7.00 [.049 X .276]	35 amps	7.50 [.2953]	250
	FPI06	2	8	4	1.25 X 7.00 [.049 X .276]	35 amps	7.50 [.2953]	250
	FP314	1	22	6	.64 [.025] SQ.	3 amps	2.50 [.0984]	125 VOLTS

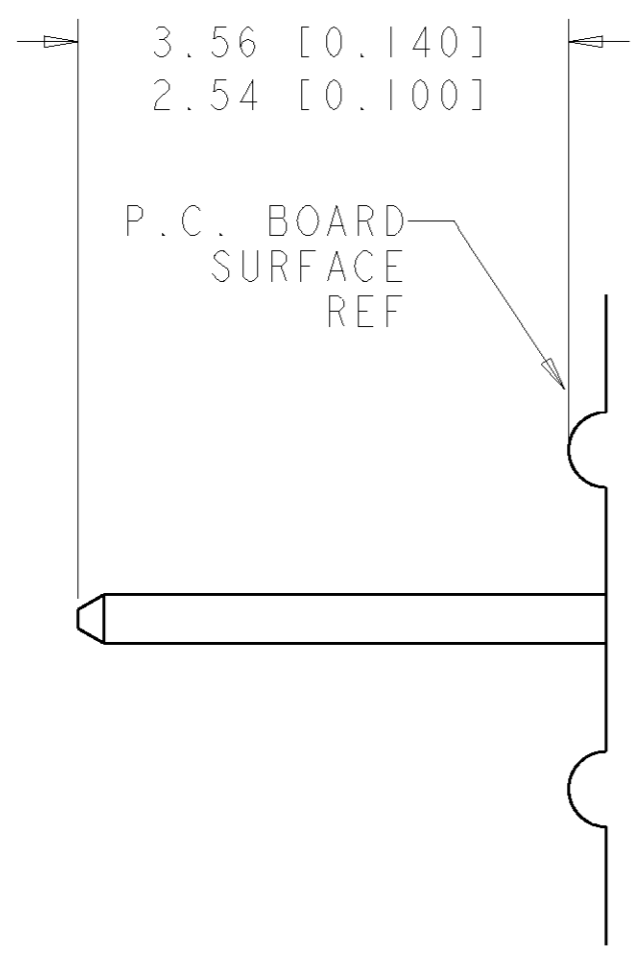
THIS DRAWING IS A CONTROLLED DOCUMENT FOR TYCO ELECTRONICS CORPORATION. IT IS SUBJECT TO CHANGE AND THE CONTROLLING ENGINEERING ORGANIZATION SHOULD BE CONTACTED FOR THE LATEST REVISION.

DWN R. GRZYBOWSKI 01MAR07	Tyco Electronics Harrisburg, PA 17105-3608
CHK P. DAMATO 01MAR07	
APVD S. FLICKINGER 01MAR07	
NAME PIN CONNECTOR, RIGHT ANGLE, SOLDER TAILS	
DIMENSIONS: mm [INCHES]	TOLERANCES UNLESS OTHERWISE SPECIFIED:
0 PLC ±.5 [.020]	1 PLC ±.25 [.010]
2 PLC ±.25 [.010]	3 PLC ±.25 [.010]
3 PLC ±.25 [.010]	4 PLC ±.25 [.010]
4 PLC ±.25 [.010]	ANGLES ±.5
MATERIAL	FINISH
DWN R. GRZYBOWSKI 01MAR07 CHK P. DAMATO 01MAR07 APVD S. FLICKINGER 01MAR07 PRODUCT SPEC - APPLICATION SPEC - WEIGHT - CUSTOMER DRAWING	
SIZE A200779	CAGE CODE C-1926427
DRAWING NO. -	RESTRICTED TO -
SCALE 3:1 SHEET 2 OF 3 REV A	

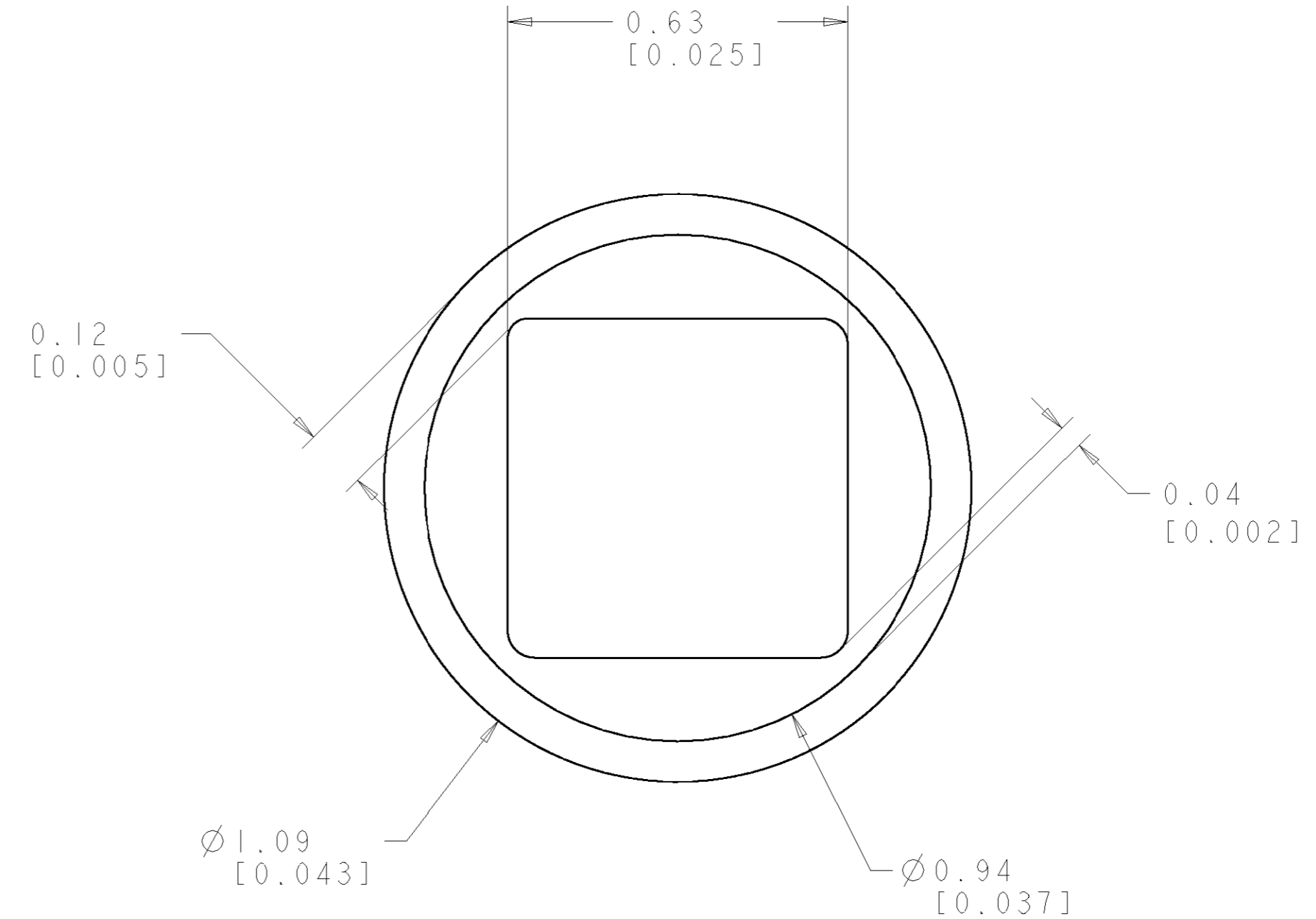
ELCON **FLATPAQ**

THIS DRAWING IS UNPUBLISHED. RELEASED FOR PUBLICATION 20
 © COPYRIGHT 20 BY TYCO ELECTRONICS CORPORATION. ALL RIGHTS RESERVED.

LOC	DIST	REVISIONS			
P	LTR	DESCRIPTION	DATE	DWN	APVD
GP	00	-	SEE SHEET 1	-	-



6. SOLDER TAIL DETAIL
SCALE 10 : 1



7 SOLDER TERMINATION AREA
 SCALE 40:1
 RECOMMENDED PRINTED CIRCUIT HOLE
 SOLDER HOLE
 FINISHED HOLE: Ø1.02 [0.040] ±.08 [0.003]
 DRILLED HOLE: Ø1.15 [0.0453] ±.013 [0.0005]
 COPPER PLATE: .025 [0.0010] MIN
 TIN PLATE: .008 [0.0003] MIN. (PER SURFACE)

ELCON FLATPAQ

<small>THIS DRAWING IS A CONTROLLED DOCUMENT FOR TYCO ELECTRONICS CORPORATION. IT IS SUBJECT TO CHANGE AND THE CONTROLLING ENGINEERING ORGANIZATION SHOULD BE CONTACTED FOR THE LATEST REVISION.</small>		DWN R. GRZYBOWSKI 01MAR07 CHK P. DAMATO 01MAR07 APVD S. FLICKINGER 01MAR07	tyco Tyco Electronics Harrisburg, PA 17105-3608
DIMENSIONS: mm [INCHES]	TOLERANCES UNLESS OTHERWISE SPECIFIED: 0 PLC ±.5 [0.020] 1 PLC ±.25 [0.010] 2 PLC ±.25 [0.010] 3 PLC ±. 4 PLC ±. ANGLES ±.5 FINISH	NAME PIN CONNECTOR, RIGHT ANGLE, SOLDER TAILS	SIZE CAGE CODE DRAWING NO RESTRICTED TO A200779 C-1926427 -
MATERIAL -		PRODUCT SPEC - APPLICATION SPEC - WEIGHT -	SCALE 3:1 SHEET 3 OF 3 REV A CUSTOMER DRAWING

单击下面可查看定价，库存，交付和生命周期等信息

[>>TE Connectivity\(泰科\)](#)