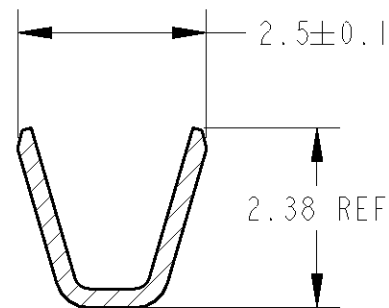
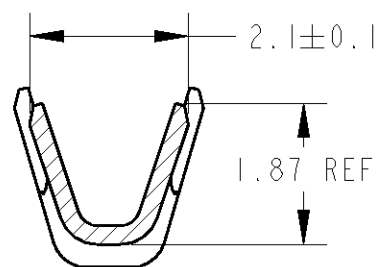


THIS DRAWING IS UNPUBLISHED. RELEASED FOR PUBLICATION
 © COPYRIGHT BY TYCO ELECTRONICS CORPORATION. ALL RIGHTS RESERVED.

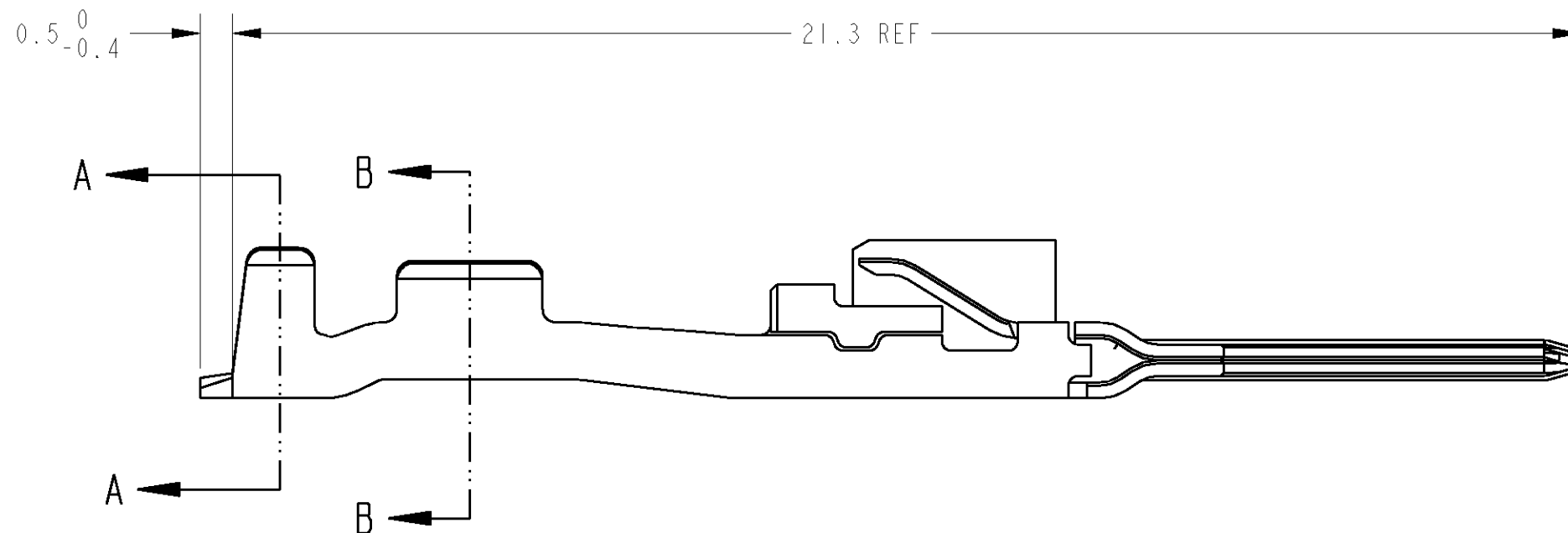
LOC	DIST	REVISIONS						
		P	LTR	DESCRIPTION	ECN	DATE	DWN	APVD
J	-		0	作成	FJ00-1026-00	24JUL00	T.K	N.S
			01	REVISED	FJA0-0820-04	15NOV04	AY	HY



断面 A-A



断面 B-B



1. MUST MEET ALL SPECIFICATIONS OF STRIP TERMINAL EXCEPT THOSE SHOWN

1. 本図記載以外については、連鎖状端子の規格を満足すること

SELECTIVE GOLD	BRASS H04 , MAKE FROM 1376109-2	1376607-2
PRE-TIN	BRASS H04 , MAKE FROM 1376109-1	1376607-1
FINISH	MATERIAL, STRIP TERMINAL P/N	PART NO

<small>THIS DRAWING IS A CONTROLLED DOCUMENT FOR TYCO ELECTRONICS CORPORATION IT IS SUBJECT TO CHANGE AND THE CONTROLLING ENGINEERING ORGANIZATION SHOULD BE CONTACTED FOR THE LATEST REVISION.</small>	
DIMENSIONS: 単位: 珪 mm	TOLERANCES UNLESS OTHERWISE SPECIFIED: 0-PLC ± 1-PLC ±0.5 2-PLC ±0.13 3-PLC ±0.013 4-PLC ±0.0001 ANGLES ±3'00"
	MATERIAL 材料
FINISH 仕上	WEIGHT 0.2g

DWN T. KOHNO 15-Nov-04	tyco Tyco Electronics AMP K.K. Kawasaki, Japan	
CHK N. SAI 15-Nov-04	NAME 名称 025 TAB CONTACT LOOSE PIECE TYPE	
APVD K. SHIMIZU 15-Nov-04	PRODUCT SPEC 製品規格 APPLICATION SPEC 取付適用規格 114-5291	SIZE A3
WEIGHT 0.2g	CAGE CODE 00779	DRAWING NO 番号 1376607
CUSTOMER DRAWING		RESTRICTED TO SCALE 10:1
		SHEET 1 OF 1 REV 01

单击下面可查看定价，库存，交付和生命周期等信息

[>>TE Connectivity\(泰科\)](#)