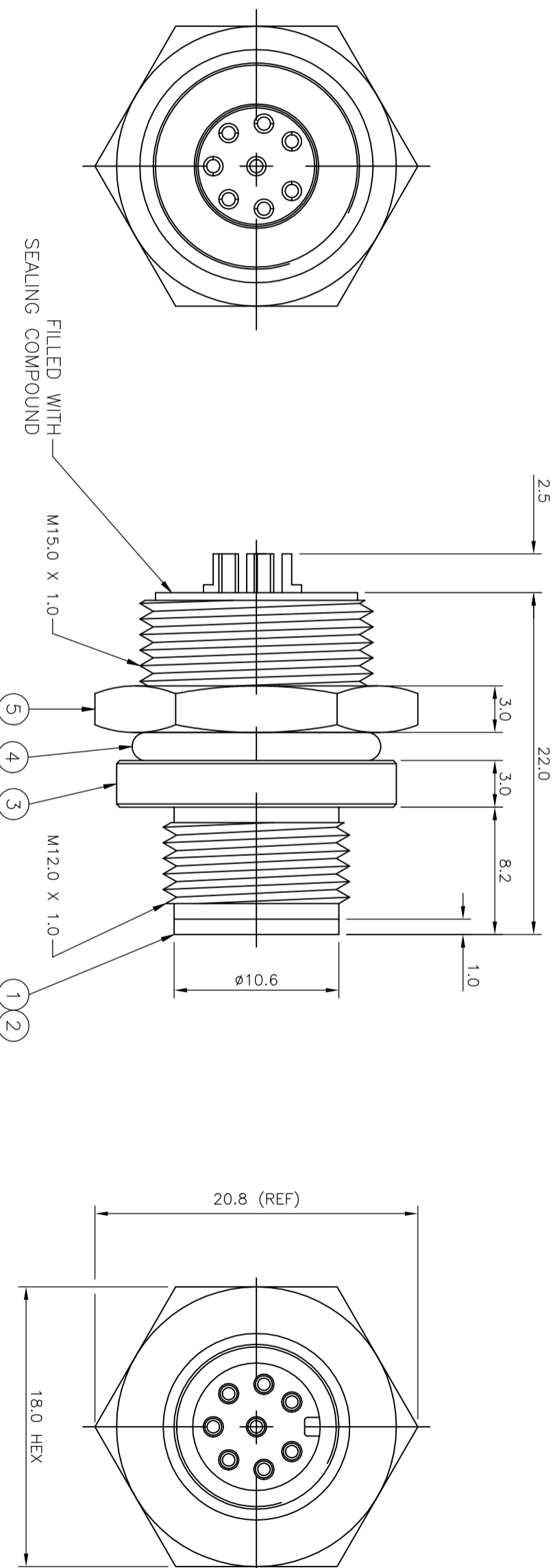


P	LTR	DESCRIPTION	DATE	DWN	APVD
A2		ALLOWABLE WIRE SIZES ADDED IN TABLE	07AUG2015	TJ	NG
A3		ECR-17-017195, Obsolete PN	22NOV2017	TM	NG
B		ECR-18-005716, Obsolete PN	17APR2018	TF	CW

- NOTES:
- ELECTRICAL DATA: CONTACT RESISTANCE: 10 Mohm MAX  
INSULATION RESISTANCE: 100 Mohm MIN at 500VDC  
CURRENT RATING: 5 AMPS (FOR 3, 4 AND 5 POSITIONS) AND 2 AMPS (FOR 8 POSITION ONLY)  
BREAKDOWN VOLTAGE: 500 VAC MIN PER MINUTE
  - ENVIRONMENTAL: OPERATING TEMPERATURE: -25°C TO +90°C  
SEALING REQUIREMENTS: IP67
  - PACKAGING: 107-3334
  - FOR TECHNICAL DATA REFER TO YOUR LOCAL TE CONNECTIVITY SALES OFFICE.
  - ALL DIMENSIONS ARE NOMINAL FOR REFERENCE ONLY UNLESS OTHERWISE STATED.

ITEM	DESCRIPTION	MATERIAL	FINISH/COLOUR	QUANTITY / ITEM			
1	CONNECTOR HOUSING	GF NYLON	BLACK	-1	-2	-3	-4
2	PIN CONTACT	BRASS	0.15µm GOLD OVER NICKEL	3	4	5	8
3	CONNECTOR BODY	BRASS	NICKEL PLATED	1	1	1	1
4	'O' RING	EPDM	BLACK	1	1	1	1
5	SCREW NUT	BRASS	2.5µm NICKEL PLATED	1	1	1	1



ALLOWABLE WIRE SIZE	DESCRIPTION	NO. OF POS/PART NUMBER
24AWG	M12 METAL MALE PANEL MOUNT CONNECTOR, SOLDER, STRAIGHT, REAR (CIRCULAR) MOUNTING	8 1838418-4
22AWG	M12 METAL MALE PANEL MOUNT CONNECTOR, SOLDER, STRAIGHT, REAR (CIRCULAR) MOUNTING	5 1838418-3
22AWG	M12 METAL MALE PANEL MOUNT CONNECTOR, SOLDER, STRAIGHT, REAR (CIRCULAR) MOUNTING	4 1838418-2
22AWG	M12 METAL MALE PANEL MOUNT CONNECTOR, SOLDER, STRAIGHT, REAR (CIRCULAR) MOUNTING	3 1838418-1

THIS DRAWING IS A CONTROLLED DOCUMENT.

DIMENSIONS: mm

TOLERANCES UNLESS OTHERWISE SPECIFIED:

0 PLC	±
1 PLC	±
2 PLC	±
3 PLC	±
4 PLC	±
ANGLES	±

FINISH

APVD: A. Morey (09MAR06), F. Wheeler-King (12APR06)

PRODUCT SPEC: 108-3641

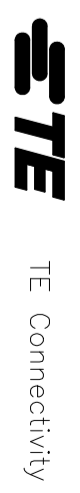
APPLICATION SPEC

WEIGHT

CUSTOMER DRAWING

SIZE: A3, CAGE CODE: 300779, DRAWING NO: C=1838418

RESTRICTED TO



A

B

C

D

单击下面可查看定价，库存，交付和生命周期等信息

[>>TE Connectivity\(泰科\)](#)