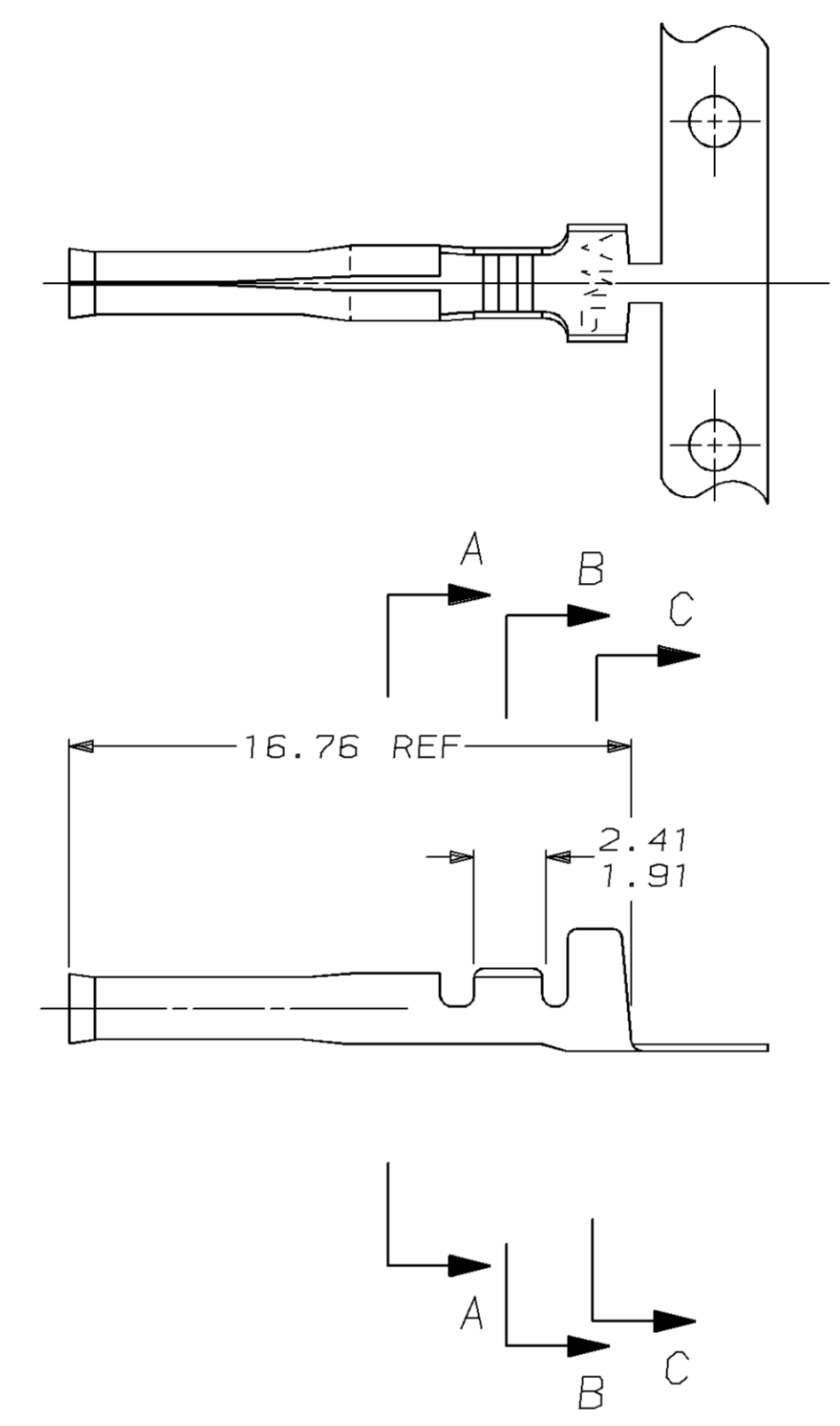
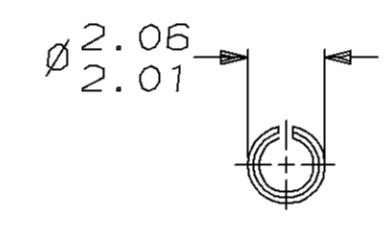
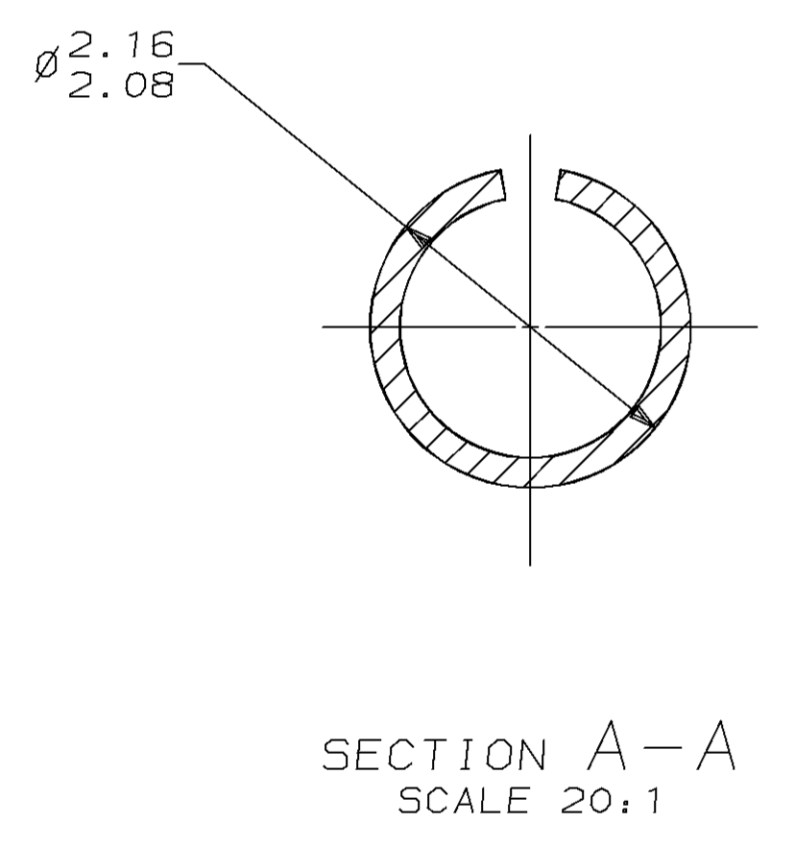
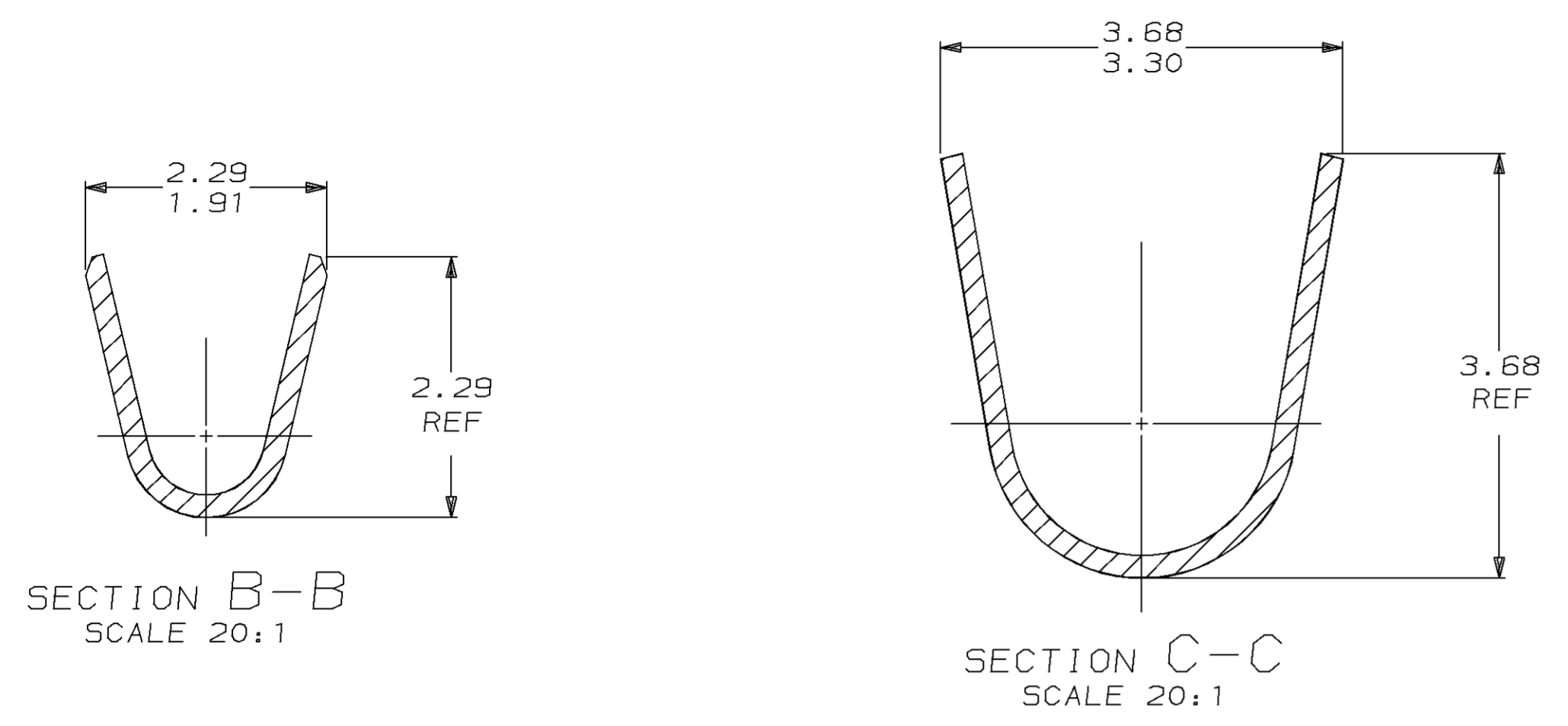


LOC		DIST		P		F		ZONE		LTR		REVISIONS		DATE	APPD	
CM	53												0	RLSD PER PR CM 95-150	12-07-95	BL RS



MM	IN	MM	IN
2.08	.082	-	-
2.06	.081	16.76	.660
2.01	.079	3.68	.145
1.91	.075	3.30	.130
1.27	.050	2.79	.110
0.20	.008	2.41	.095
0.13	.005	2.29	.090
.062	.0024	2.16	.085

CONVERSION TABLE

PRE-TIN FINISH	0.20 BRASS MATERIAL	1.27-2.79 INSULATION DIAMETER	0.2-0.9mm ² (24-18) AWG WIRE RANGE	794103-1 PART NO
DO NOT SCALE PRINT. UNLESS SPECIFIED DIMENSIONS IN mm [INCHES] TOLERANCES ON: 1 CHK 12-07-95 B. LEWIS 2 PLC DEC ± - R. SWING 3 APPD 12-07-95 C. CASH ANGLES ± 0°30'				AMP INCORPORATED Harrisburg, Pa. 17105
SEE TABLE			NAME .062 SOCKET, LANCELESS, COMMERCIAL PIN & SOCKET	DRAWING NO 794103
SEE TABLE			APPLICATION SPEC -	CAGE CODE 00779
SEE TABLE			WEIGHT -	SCALE 5:1
				SHEET 1 OF 1



单击下面可查看定价，库存，交付和生命周期等信息

[>>TE Connectivity\(泰科\)](#)