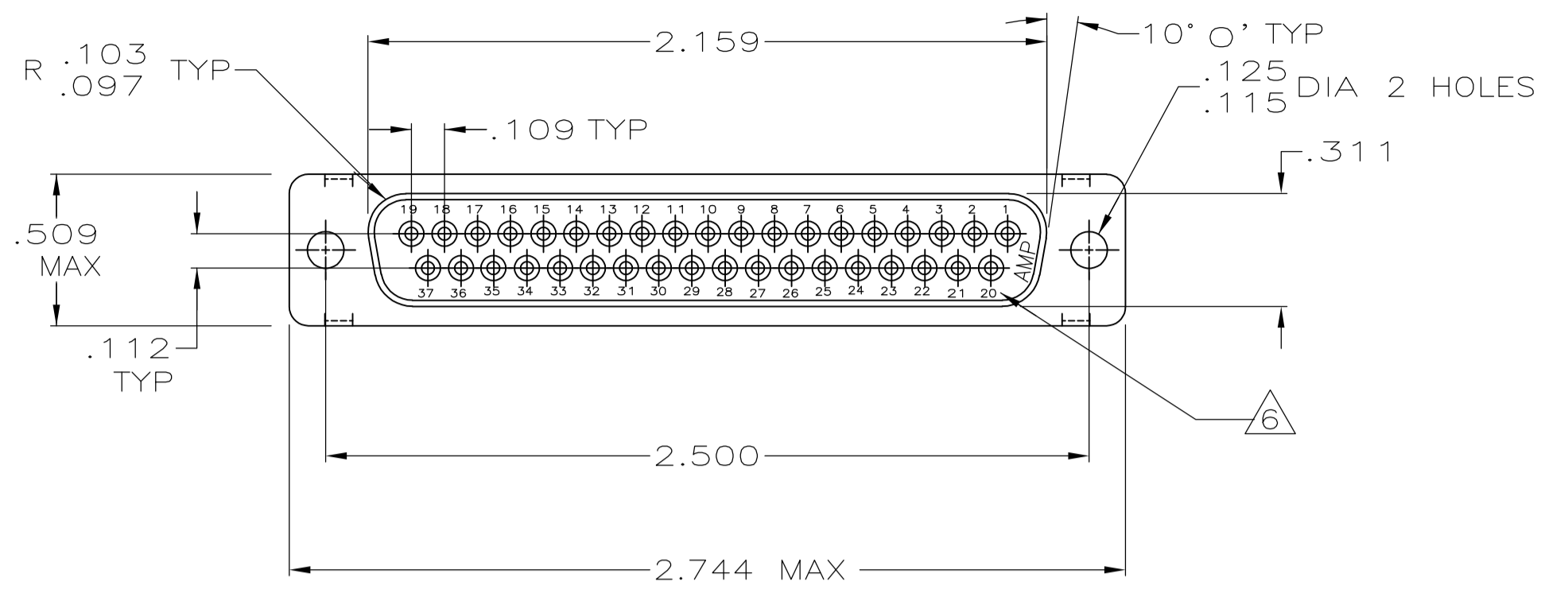
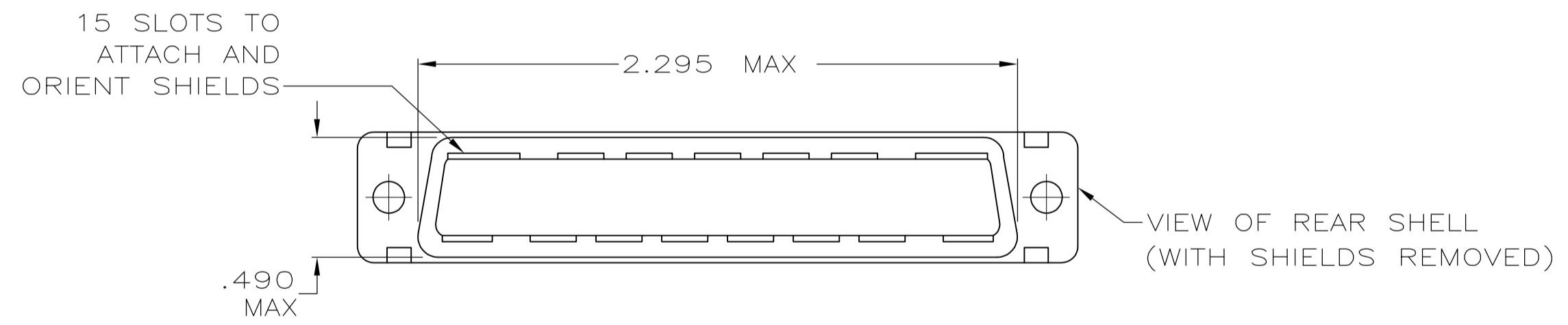
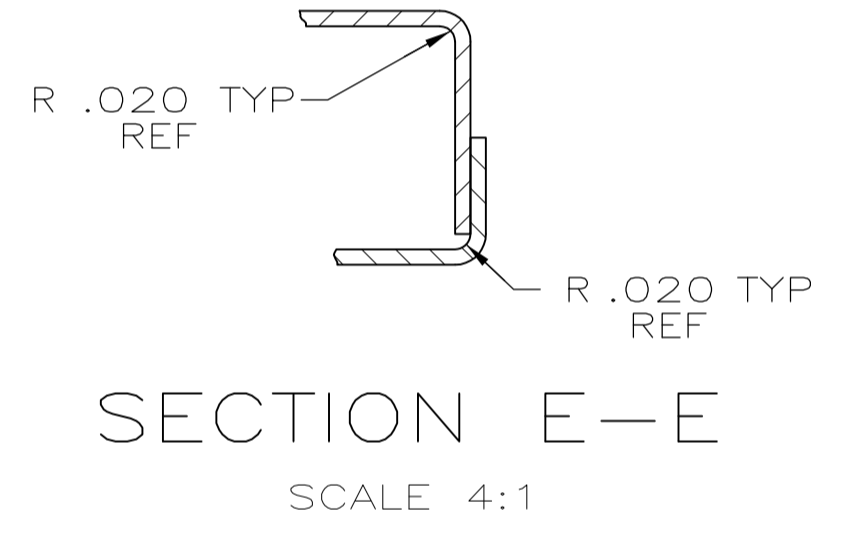
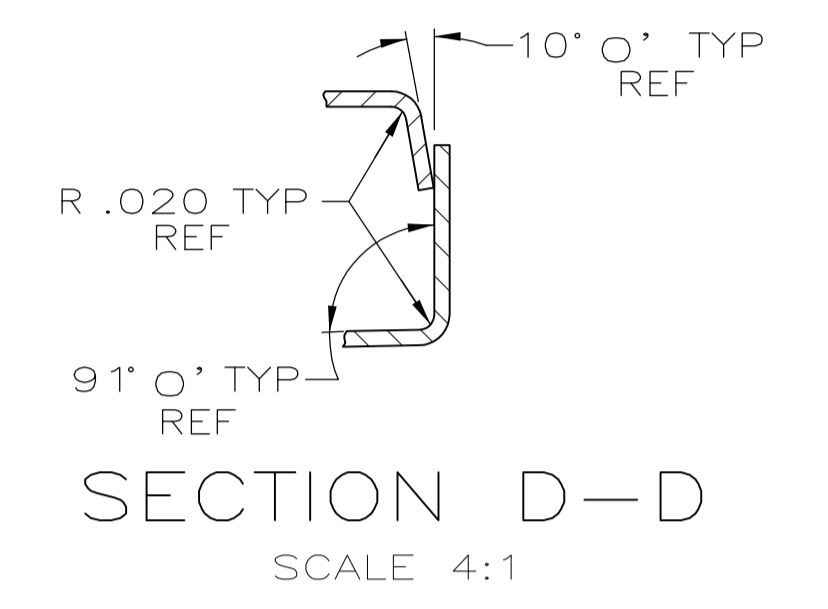
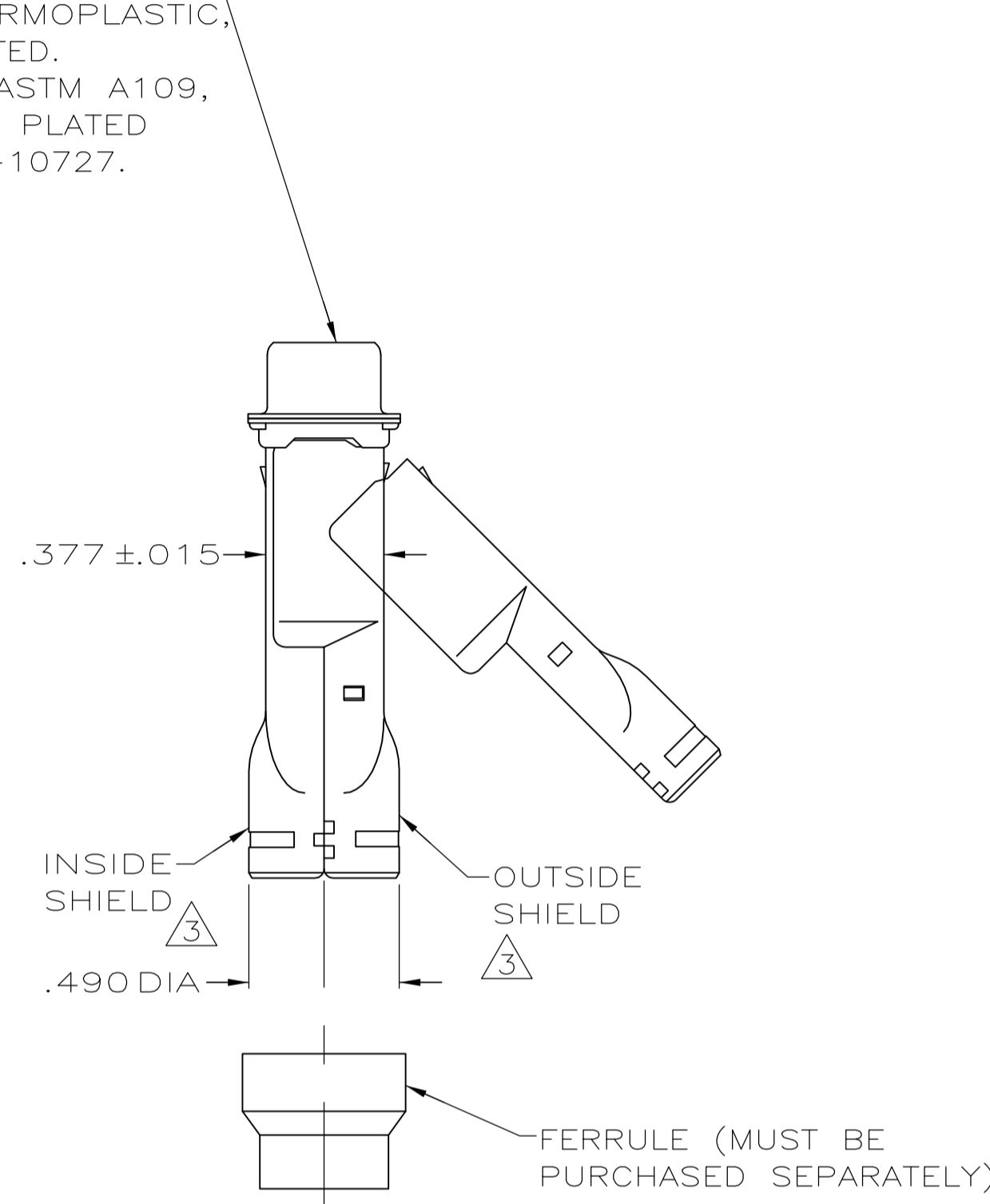
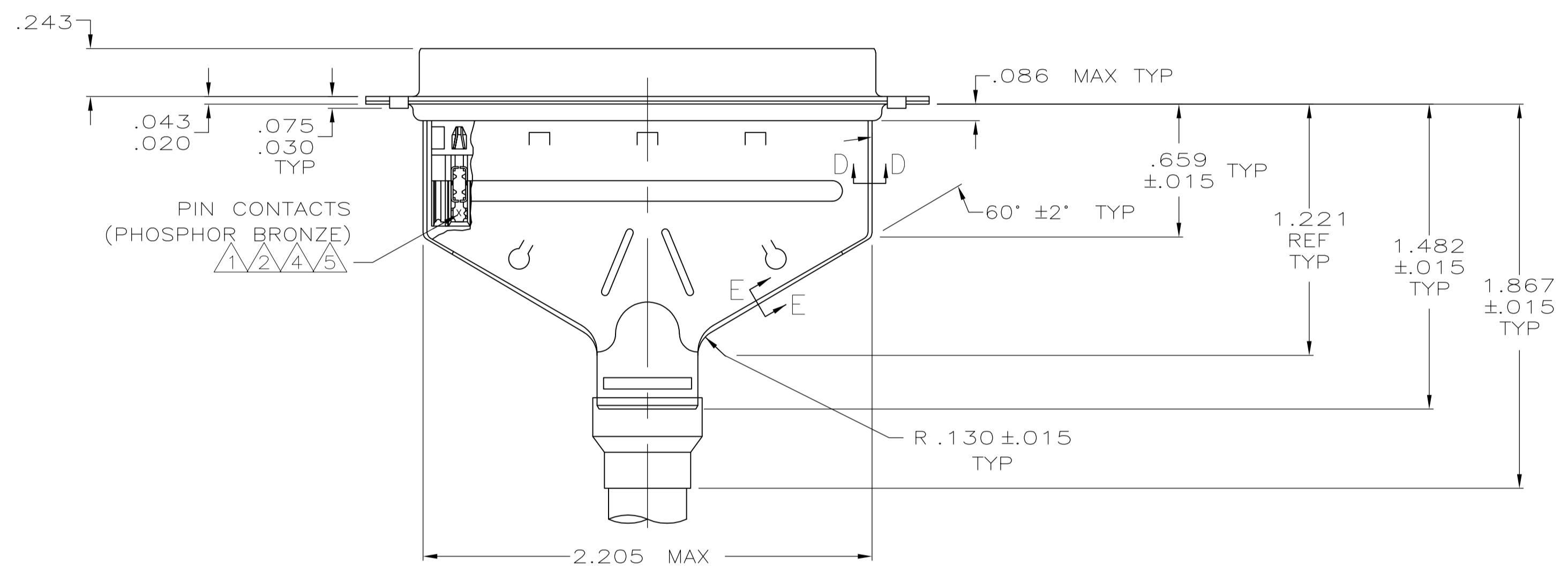


LOC	DIST	REVISIONS			
GP	00	REV	DESCRIPTION	DATE	BY
		F2	REVISED PER ECO-07-008164	10AUG07	JDP/CWR
		F3	REVISED PER ECO-09-021510	15SEP09	KK/AEG



RCPT CONNECTOR
 INSERT: BLACK THERMOPLASTIC,
 94V-0 RATED.
 SHELL: STEEL PER ASTM A109,
 BRIGHT TIN PLATED
 PER MIL-T-10727.



- ① RCPT CONNECTOR FULLY LOADED WITH CONTACTS. ALL OTHER PARTS SHIPPED UNASSEMBLED (EACH PART INDIVIDUALLY BULK PACKED).
- ② NUMBER ON CONTACT INDICATES WIRE RANGE.
- ③ SHIELDS: MATERIAL-.020 THICK STEEL, TIN PLATED.
- ④ CONTACTS PLATED .000030 GOLD ON MATING END FOR .150 MIN LENGTH. .000100-.000200 BRIGHT TIN OR BRIGHT TIN-LEAD IN WIRE TERMINATION AREA. .000050 NICKEL UNDERPLATE ON ENTIRE CONTACT.
- ⑤ CONTACTS PLATED WITH GOLD FLASH ON MATING END FOR .150 MIN LENGTH. .000100-.000200 BRIGHT TIN OR BRIGHT TIN-LEAD IN WIRE TERMINATION AREA. .000030 NICKEL UNDERPLATE ON ENTIRE CONTACT.
- ⑥ RAISED CAVITY IDENTIFICATION AND AMP TRADEMARK.
- ⑦ CONTACTS PLATED .000050 GOLD ON MATING END FOR .150 MIN LENGTH. .000100-.000200 BRIGHT TIN OR BRIGHT TIN-LEAD IN WIRE TERMINATION AREA. .000050 NICKEL UNDERPLATE IN ENTIRE CONTACT.
- ⑧ CONTACTS PLATED WITH GOLD FLASH ON MATING END FOR .150 MIN LENGTH. .000100-.000200 MATTE TIN IN WIRE TERMINATION AREA, .000030 MIN NICKEL UNDERPLATE ON ENTIRE CONTACT.
- ⑨ OBSOLETE PARTS: OBSOLETE CIS STREAMLINING PER D.RENAUD/D.SINISI

REV	DESCRIPTION	DATE	BY	APP'D	CONTACT FINISH	WIRE RANGE	PART NUMBER
8					2	#22-26	747564-9
9	OBSOLETE				1	#26-30	747564-8
	OBSOLETE				2	#22-26	747564-7
	OBSOLETE				3	#20-22	747564-6
	SUPERSEDED				2	#22-26	747564-5
	SUPERSEDED				1	#26-30	747564-4
	OBSOLETE				3	#20-22	747564-3
	SUPERSEDED BY 747949-2				2	#22-26	747564-2
	OBSOLETE				1	#26-30	747564-1

THIS DRAWING IS A CONTROLLED DOCUMENT.

DIMENSIONS: INCHES

TOLERANCES UNLESS OTHERWISE SPECIFIED:

0. PLC	± .005
1. PLC	± .005
2. PLC	± .005
3. PLC	± .005
4. PLC	± .005
ANGLES	± 0° 30'

MATERIAL: SEE CALL OUT

FINISH: SEE CALL OUT

APPROVED: L. VARELA - DOCKS (11-17-04), J. GRACE (11-17-04), M. WALMSLEY (11-17-04)

NAME: M. WALMSLEY

PRODUCT SPEC: KIT, RCPT, SHIELDING HARDWARE, SIZE 4, 37 POSN, HDE-20, AMPLITE

APPLICATION SPEC: 114-40002

SIZE: A1

WEIGHT: 00779

CUSTOMER DRAWING: 747564

SCALE: 2:1

SHEET: 1 OF 1

REV: F3

单击下面可查看定价，库存，交付和生命周期等信息

[>>TE Connectivity\(泰科\)](#)