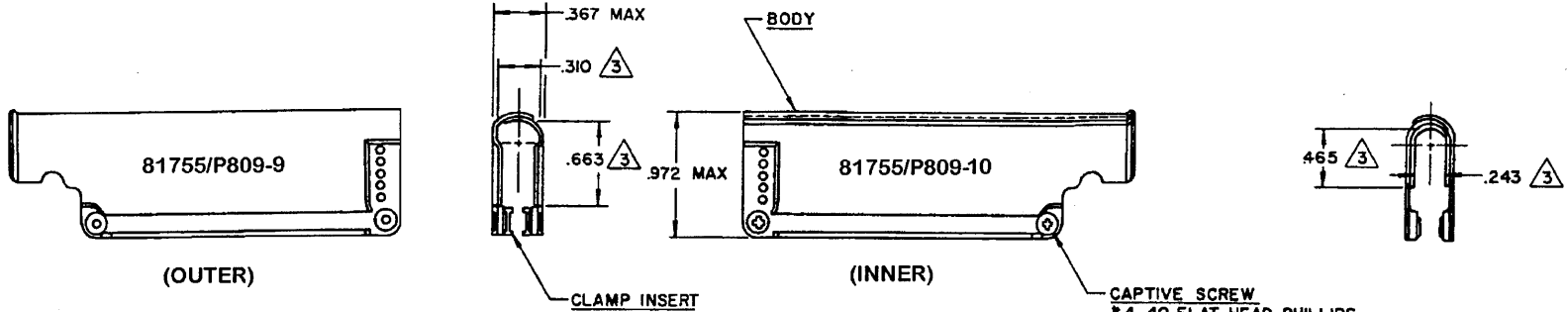
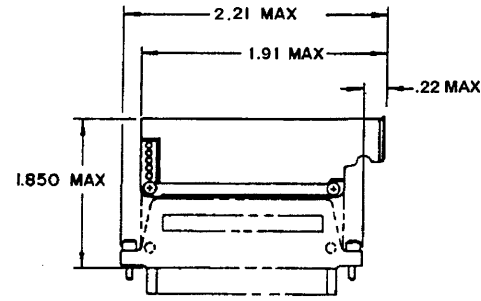


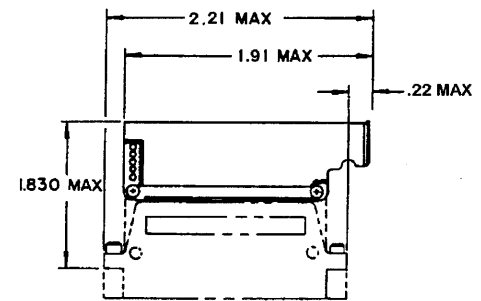
REVISIONS			
ZONE/LTR	DESCRIPTION	DATE	APPROVAL
—	N/C	INITIAL RELEASE PER ECN # T-20420	8-29-95 HAGMANN



- NOTES:
1. MATERIAL:
 - A. BODY; PHOSPHOR BRONZE PER ASTM B-139.
 - B. CAPTIVE SCREW; STAINLESS STEEL PER QQ-S-763, 300 SERIES.
 - C. CLAMP INSERT; FLUOROSILICONE ELASTOMER PER MIL-R-25988.
 2. FINISH:
 - A. BODY; TIN PLATED PER MIL-T-10727 OVER NICKEL PER MIL-C-26074.
 - B. CAPTIVE SCREW; CADMIUM PLATED PER QQ-P-416
 3. THESE DIMENSIONS ARE FOR MAXIMUM CABLE ACCOMMODATION.
 4. **Raychem** PART NUMBER IS MARKED ON BACKSHELL PACKAGE.
 5. THIS BACKSHELL IS FOR USE WITH **Raychem** MTC SERIES CONNECTORS. 1" PLUG OR 1" RECEPTACLE AS SHOWN.



1 INCH PLUG ASSY
INSTALLATION DATA
REF



1 INCH RECEPTACLE ASSY
INSTALLATION DATA
REF

CUSTOMER P/N	RAYCHEM P/N	STYLE
81755/P809-9	CHA-0048-103	OUTER
81755/P809-10	CHA-0048-203	INNER

If this document is printed it becomes uncontrolled. Check for the latest revision

SPECIFICATION CONTROL DRAWING

UNLESS OTHERWISE SPECIFIED DIMENSIONS ARE IN INCHES BRACKETED DIMENSIONS () ARE METRIC AND TOLERANCES ARE: .XXX: ± — (—) .XX: ± — (—) Δ: ± —	DRAWN	W.JACKSON	9-80	Raychem <small>RAYCHEM CORPORATION 303 CONSTITUTION DRIVE MENLO PARK, CALIFORNIA 94025</small>
	CHECKED	<i>B</i>		
	APPROVED	<i>Plain</i>	<i>7-20-80</i>	
	APPROVED			
TITLE				RIGHT ANGLE BREAKOUT BACKSHELL 1 INCH MTC
SIZE		CODE IDENT	DWG. NO.	
A		NO. 08090	CHA-0048-X03	
CAD NAME			001030-1.PCX	WEIGHT
				SHEET 1 OF 1

DO NOT SCALE THIS DRAWING

单击下面可查看定价，库存，交付和生命周期等信息

[>>TE Connectivity\(泰科\)](#)