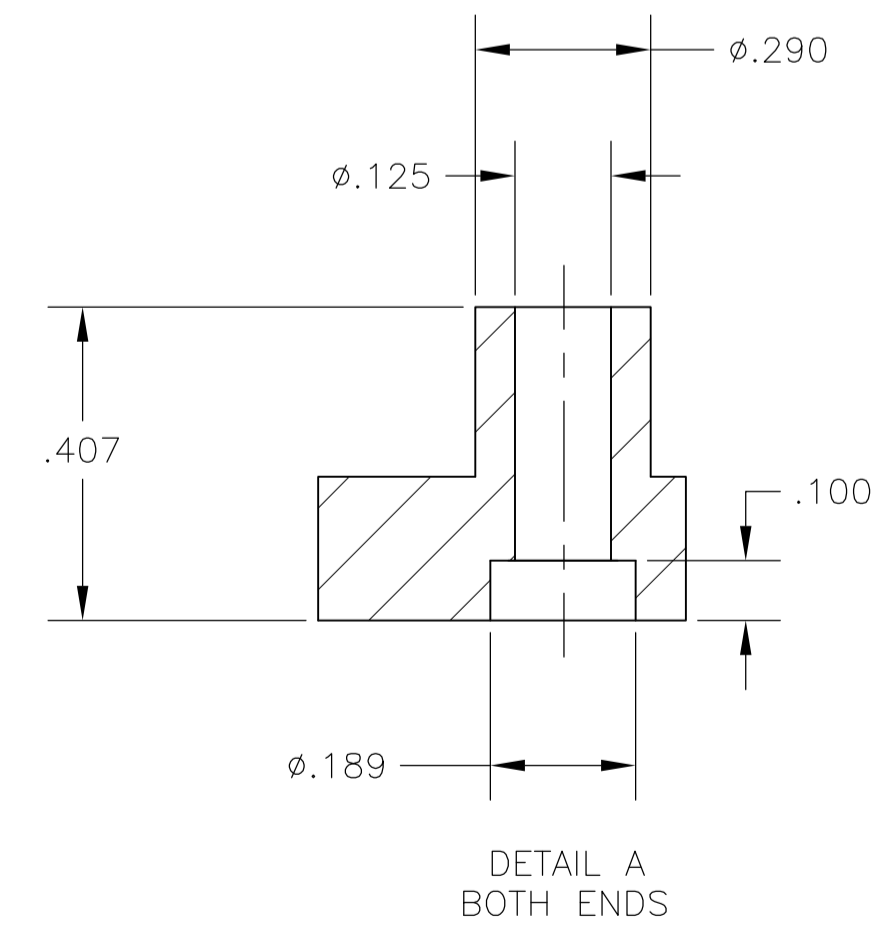
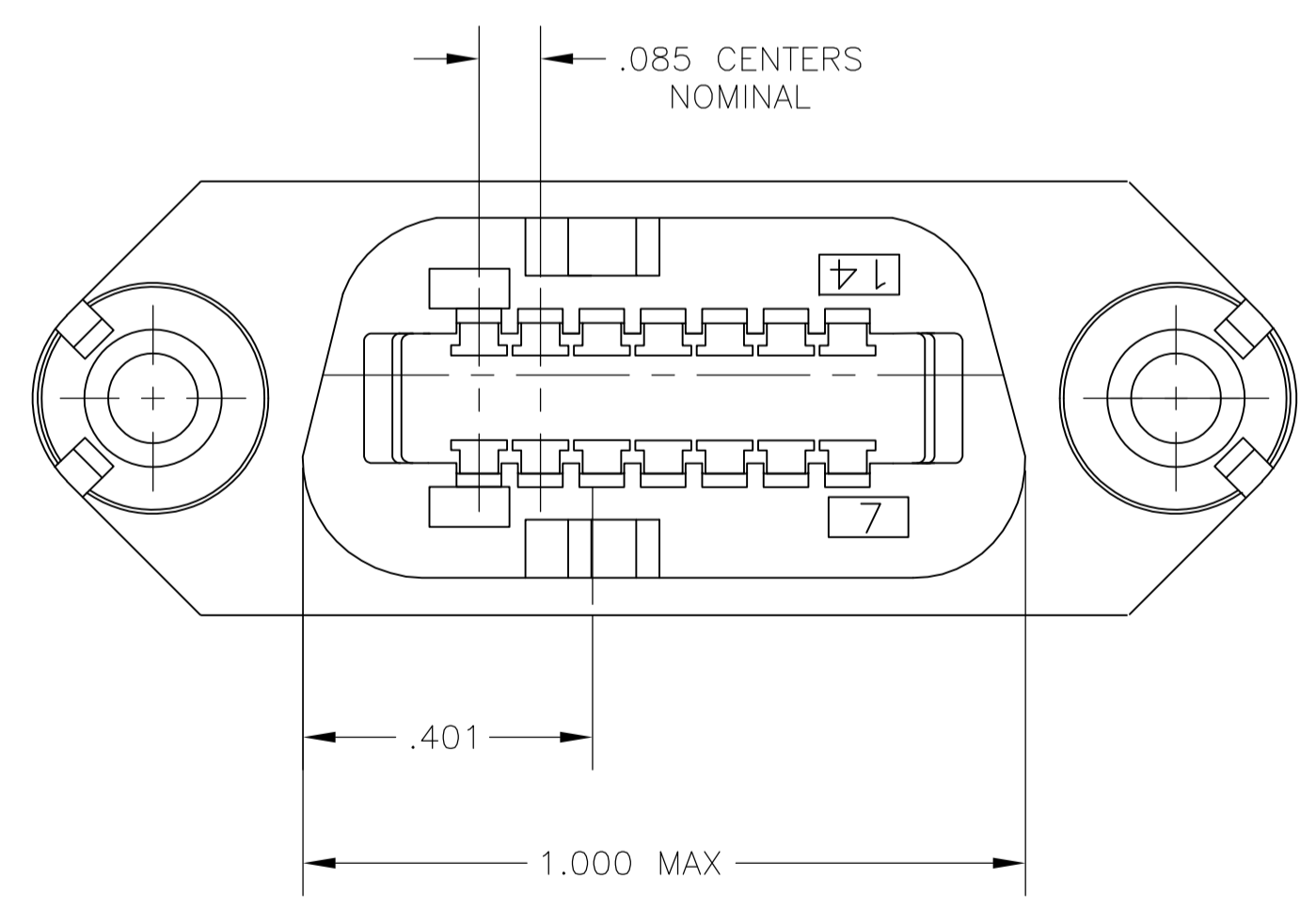
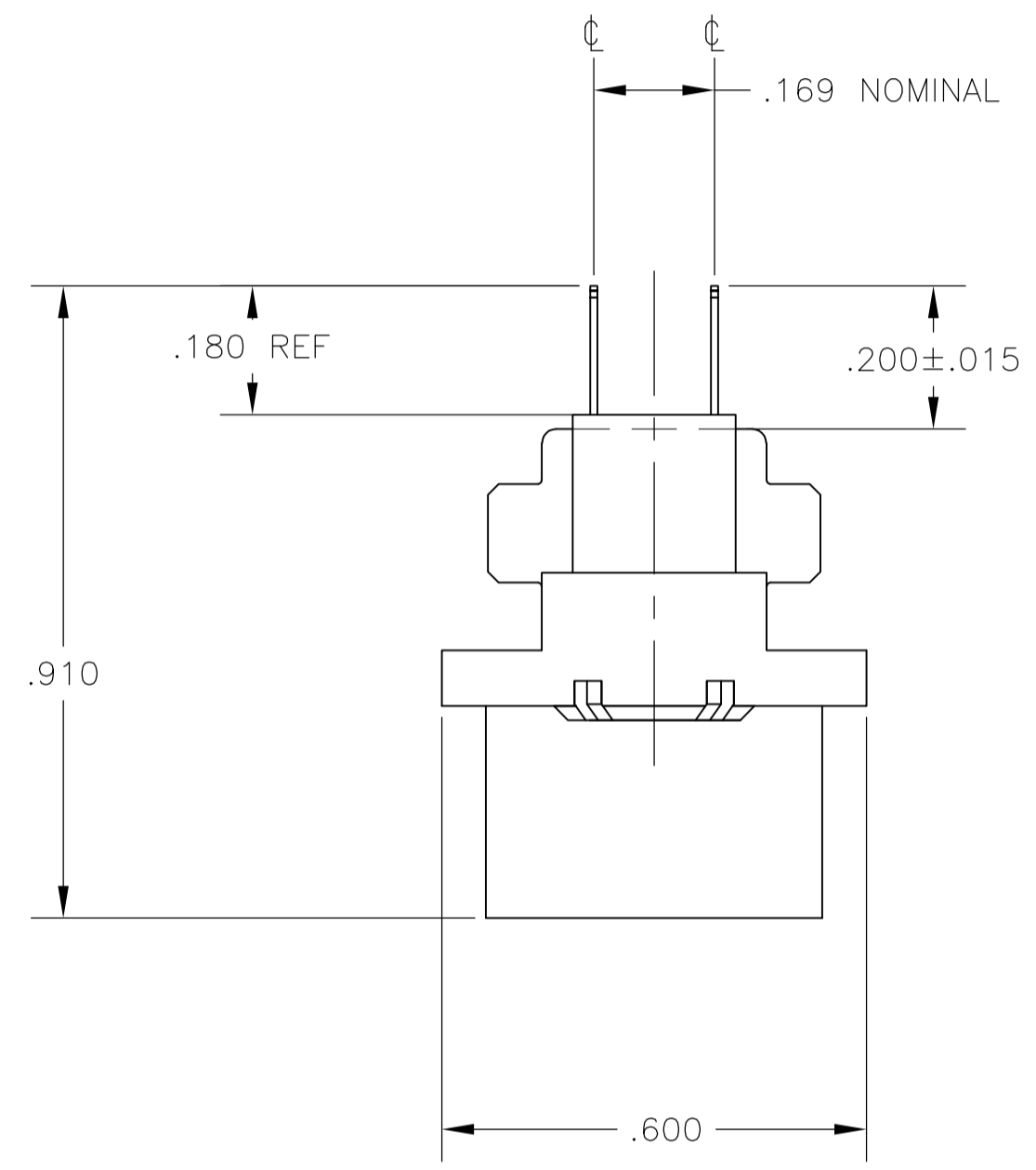
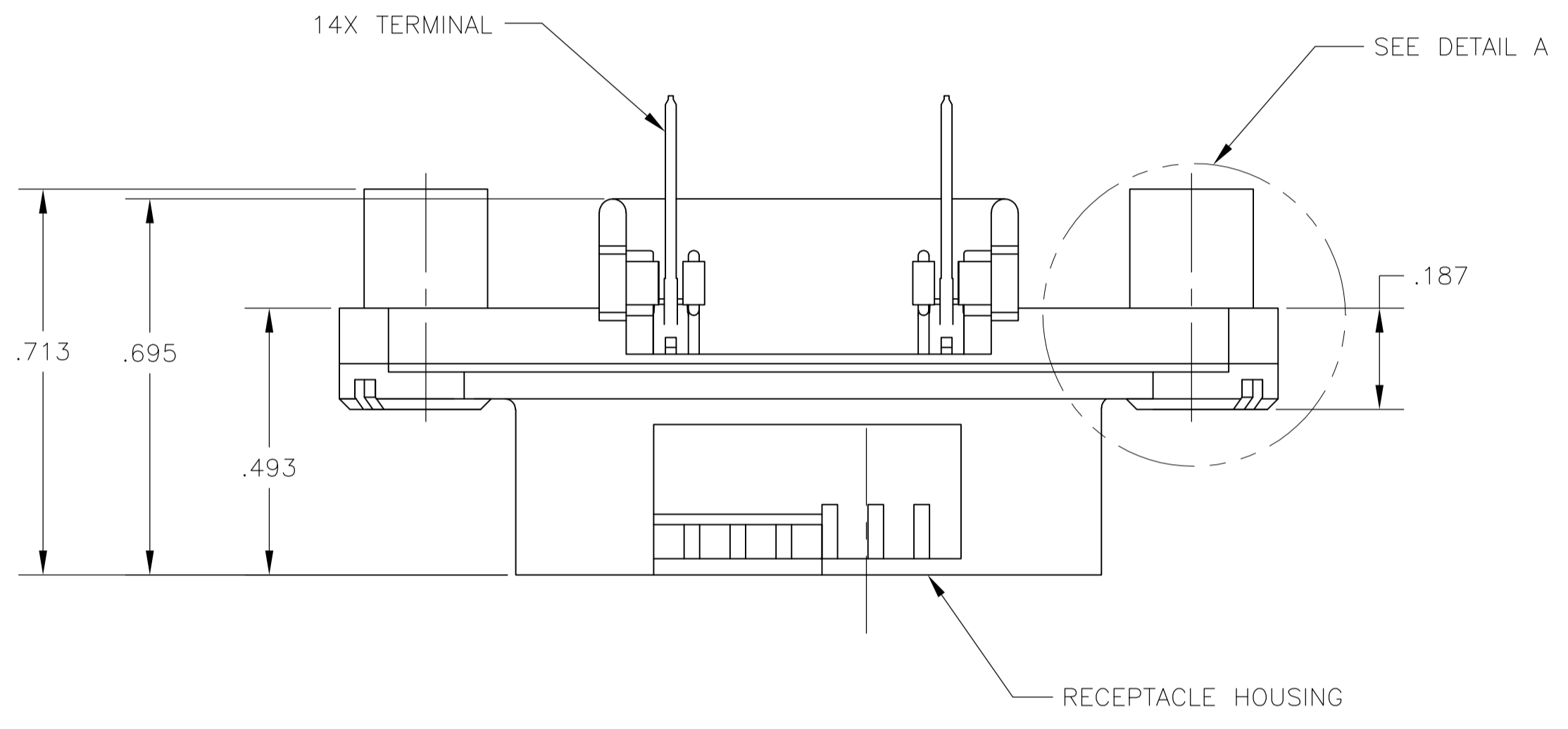
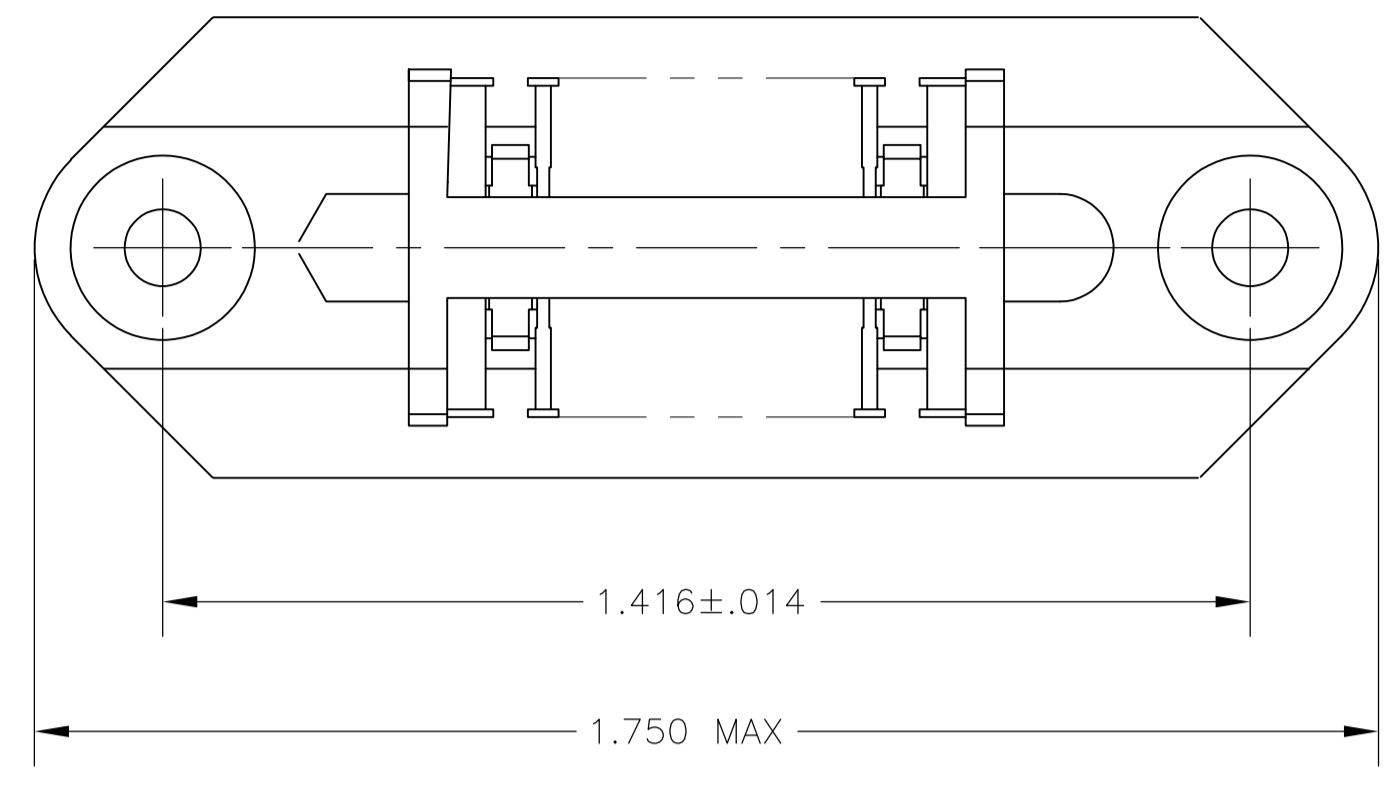


LOC		DIST		REVISIONS			
REV	DATE	BY	APP'D	DESCRIPTION	DATE	BY	APP'D
B	22JUL08	BM	WM	REVISED PER ECO-08-007327			



- THE CONTACT SURFACES OF THE TERMINALS ARE COATED WITH LUBRICANT.
- ⚠ ALL DIMENSIONS SHOWN ARE FOR REFERENCE ONLY UNLESS OTHERWISE SPECIFIED.
- ⚠ MATERIAL: HOUSING - THERMOPLASTIC, BLACK.
 TERMINAL - PHOS BRONZE PLATED WITH EITHER .000030 MINIMUM GOLD PLATE OR GOLD FLASH OVER PALLADIUM NICKEL PLATE, .000030 MINIMUM TOTAL ON MATING SURFACE. .000120 MINIMUM TIN PLATE ON TAILS OVER .000050 MINIMUM NICKEL UNDERPLATE OVER ENTIRE TERMINAL.

5552212-1
PART NUMBER

THIS DRAWING IS A CONTROLLED DOCUMENT.		DIN B LATTUCA	23AUG05	Tyco Electronics Corporation Harrisburg, PA 17105-3608
DIMENSIONS: INCHES		CHK W MILLHIMES	23AUG05	
TOLERANCES UNLESS OTHERWISE SPECIFIED:		APP'D M WALMSLEY	23AUG05	NAME RECEPTACLE ASSEMBLY 14 POSITI VERTICAL MOUNTING, W/ STANDOFFS CHAMP-LOK
0 PLC ± -	1 PLC ± -	2 PLC ± -	3 PLC ± -	APPLICATION SPEC
4 PLC ± -	ANGLES ± -	SIZE A1		RESTRICTED TO
MATERIAL	FINISH	WEIGHT	SCALE 4:1	SHEET 1 OF 1
CUSTOMER DRAWING		DRAWING NO 00779C=5552212		REV B

单击下面可查看定价，库存，交付和生命周期等信息

[>>TE Connectivity\(泰科\)](#)