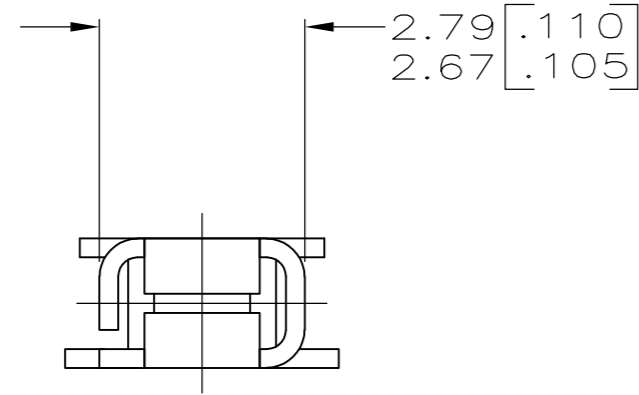
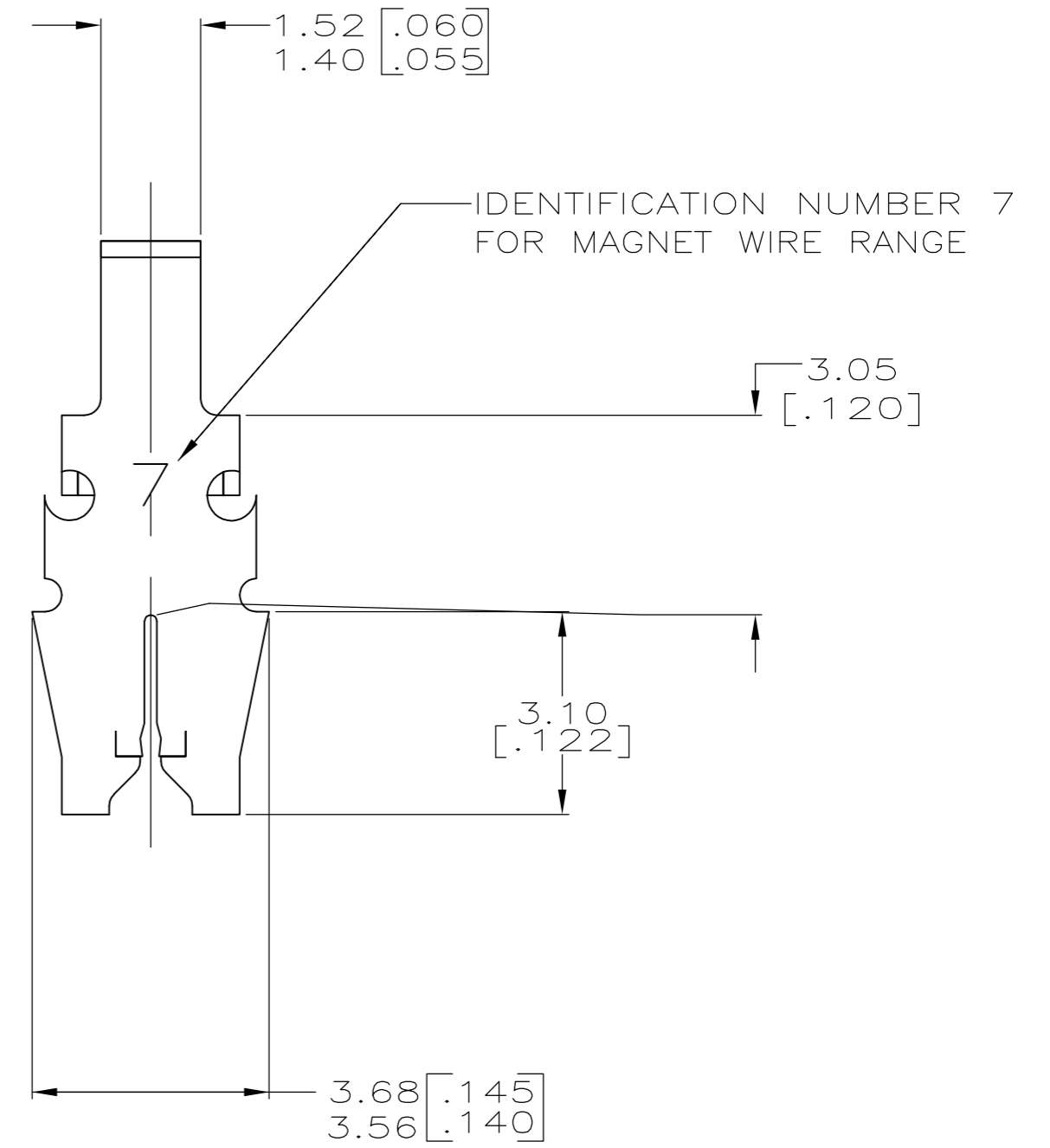
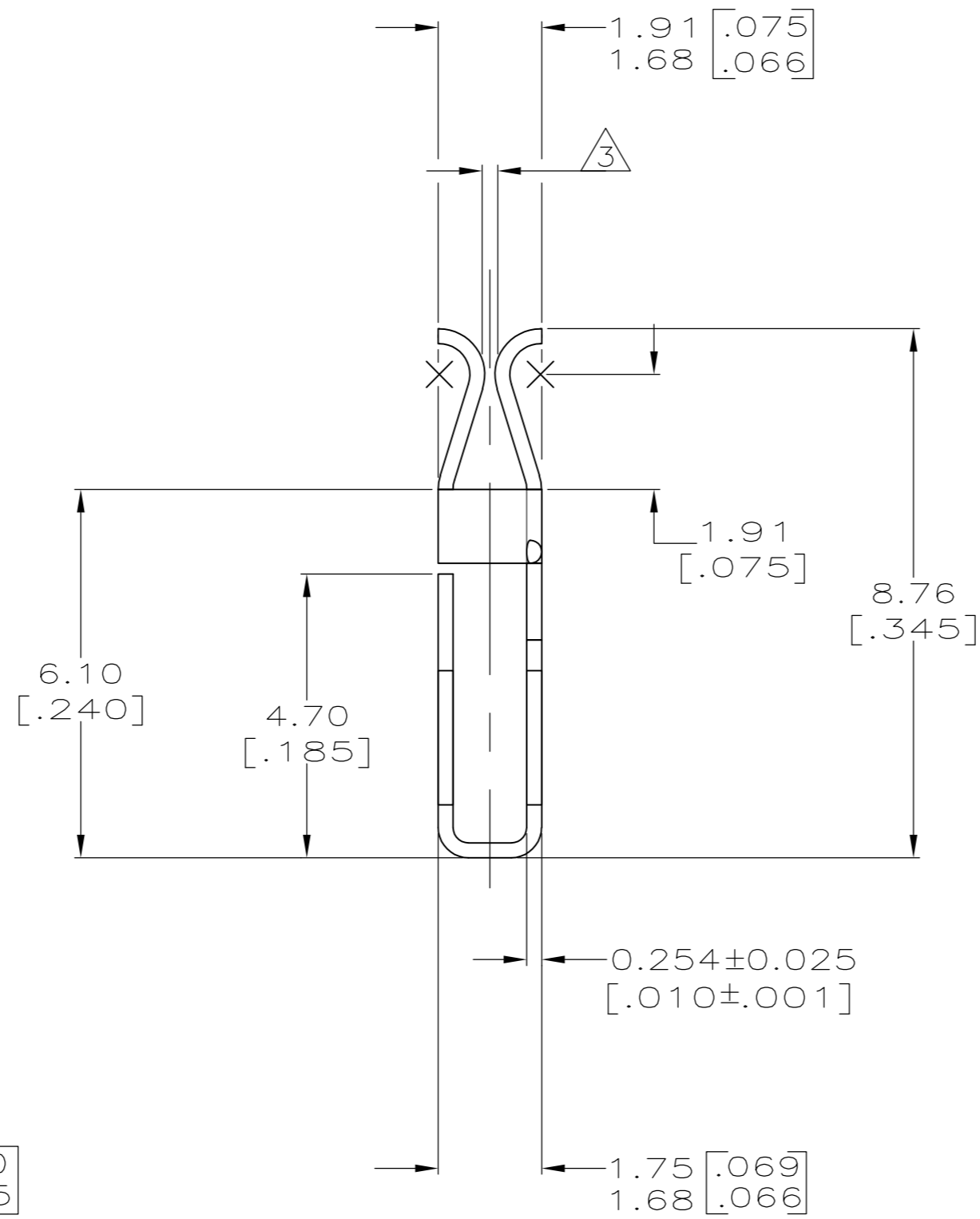
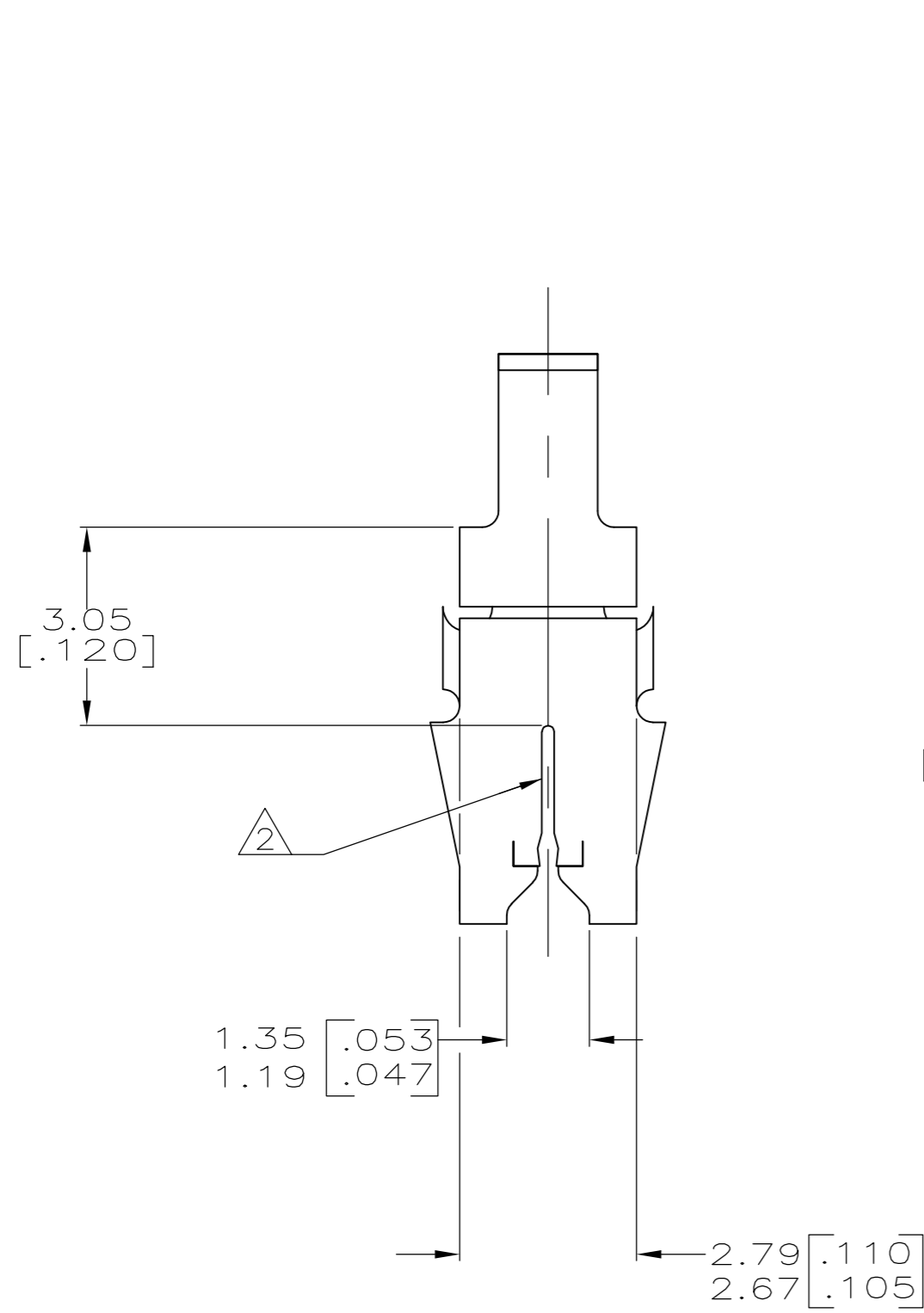


THIS DRAWING IS UNPUBLISHED. RELEASED FOR PUBLICATION
 © COPYRIGHT - By - ALL RIGHTS RESERVED.

LOC		DIST		REVISIONS			
P	LTR	DESCRIPTION		DATE	DWN	APVD	
AF	50	A		REVISED PER ECR-11-021811	16NOV11	KH KR	



- 1 TERMINALS SUPPLIED IN LOOSE PIECE
- 2 SLOT ACCEPTS EITHER A SINGLE OR DOUBLE MAGNET WIRE OF THE SAME SIZE AND TYPE. COPPER RANGE: 0.25-0.32mm [#30-#28] AWG.
- 3 FITS A 0.508±0.025 [.020±.001] THICK TAB.
- 4 PREPRODUCTION - FASR REQUIRED



1742910-1
PART NUMBER

THIS DRAWING IS A CONTROLLED DOCUMENT.		DWN	JR RUTH	02AUG11		TE Connectivity		
DIMENSIONS: mm [INCHES]		CHK	KURT A. RANDOLPH	02AUG11		RECEPTACLE, TAB, MAG-MATE,™ LOOSE PIECE		
TOLERANCES UNLESS OTHERWISE SPECIFIED:		APVD	KURT A. RANDOLPH	02AUG11		NAME	-	
0 PLC ± -		PRODUCT SPEC	108-2012	APPLICATION SPEC		SIZE	CAGE CODE	DRAWING NO
1 PLC ± -		WEIGHT	-	97-1039-190	A2	00779	C=1742910	
2 PLC ± 0.25[.010]		MATERIAL		H04 PHOS. BRONZE	SCALE	10:1	SHEET 1 of 1	
3 PLC ± -		FINISH		0.002032[.000080] MIN TIN PLATE	CUSTOMER DRAWING	REV	A	
4 PLC ± -		ANGLES		± -				

单击下面可查看定价，库存，交付和生命周期等信息

[>>TE Connectivity\(泰科\)](#)