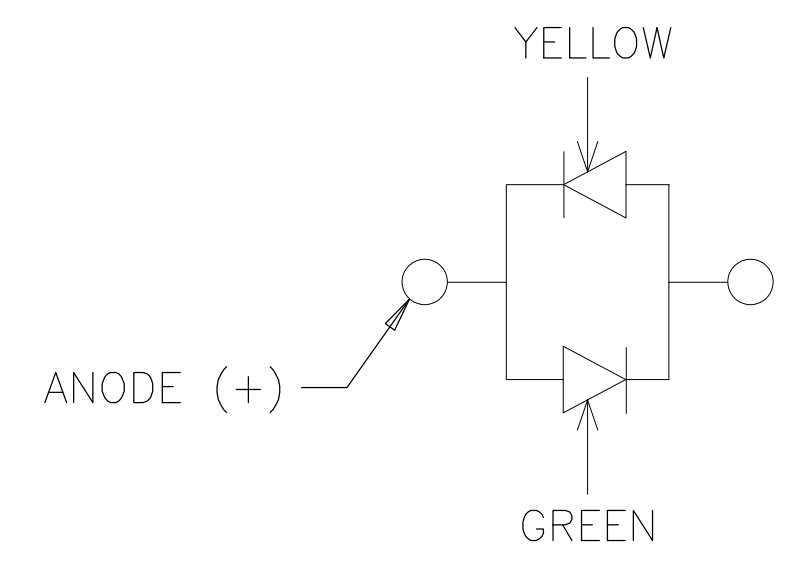
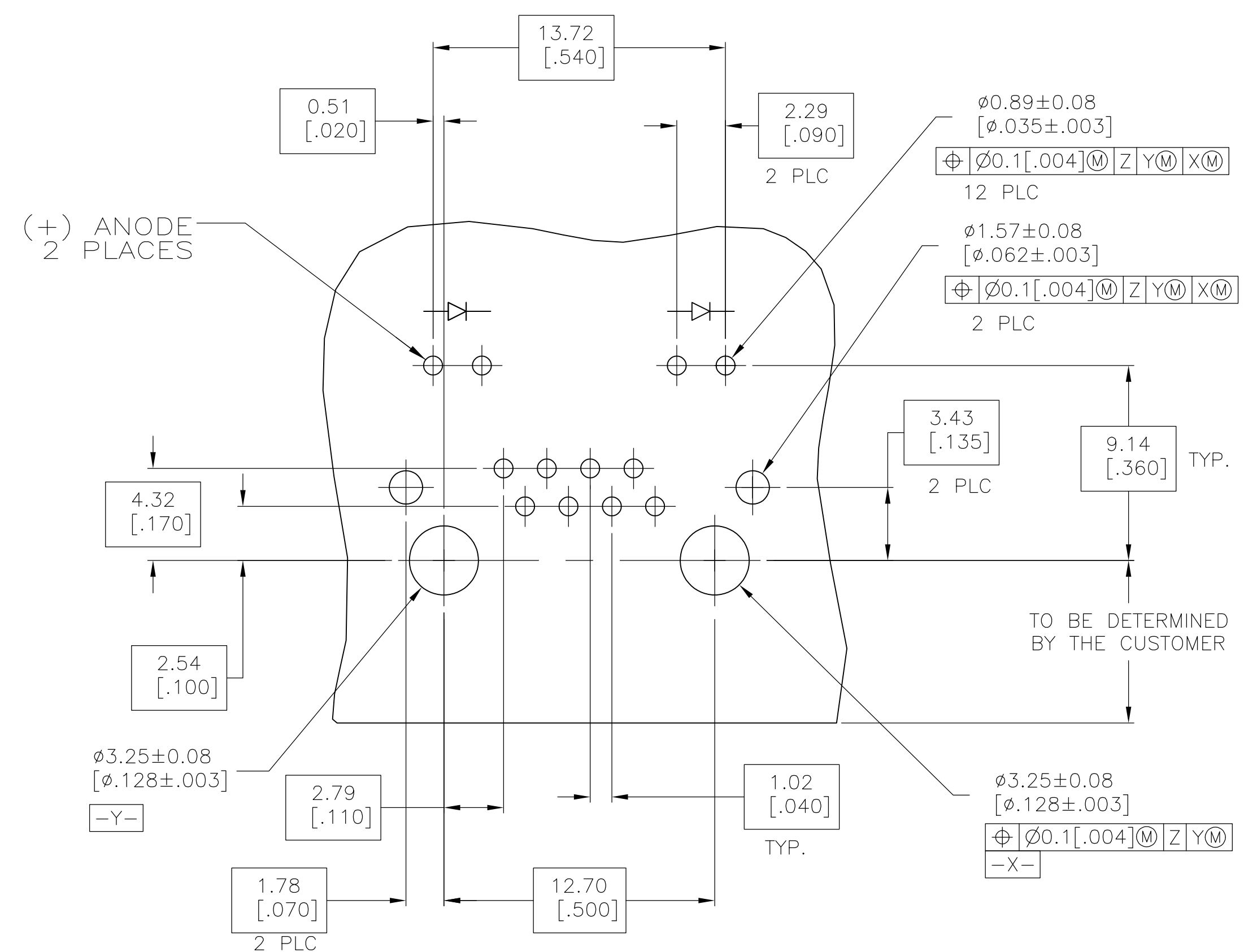


- 1 MATERIAL: HOUSING - HIGH TEMPERATURE THERMOPLASTIC, BLACK, UL94V-0.  
 TERMINALS - 0.36[.014] THICK PHOS BRONZE PLATED WITH 3.81µm[.000150] MINIMUM THICK MATTE TIN IN SOLDER AREA. 1.27µm [.000050] MINIMUM GOLD IN LOCALIZED PLATE AREA. ENTIRE TERMINAL PLATED WITH 1.27µm [.000050] MINIMUM THICK NICKEL.  
 SHIELD - 0.196[.0077] THICK COPPER ZINC ALLOY PREPLATED WITH 1.27µm[.000050] MINIMUM SATIN NICKEL WITH 2.03µm[.000080] MINIMUM TIN POST DIPPED ON PCB GROUND TABS.  
 LIGHT EMITTING DIODE (LED) - DIFFUSED EPOXY LENS, 0.51 x 0.51[.020 x .020] CARBON STEEL WIREFRAME LEADS - 8.89µm[.000350] THICK Sn/Cu OVER 2.03µm[.000080] THICK Ag OVER 1.02µm[.000040] THICK Cu OVER 3.56µm[.000140] THICK Ni OVER 1.02µm[.000040] THICK Cu UNDERPLATE
- 2. JACK CAVITY CONFORMS TO FCC RULES AND REGULATIONS PART 68, SUBPART F.
- 3 SUGGESTED PANEL OPENING DIMENSIONS.
- 4 SUGGESTED CLEARANCE BETWEEN TOP OF CONNECTOR AND TOP PANEL OPENING.
- 5. THIS MODULAR JACK WITH INTEGRATED LED IS NOT IR REFLOW SOLDERING PROCESS COMPATIBLE.
- 6 MANUFACTURING DATE CODE: LOCATED APPROX. AS SHOWN.  
 FIRST 2 DIGITS = LAST 2 DIGITS OF YEAR.  
 NEXT 2 DIGITS = MANUFACTURING WORK WEEK.  
 LAST DIGIT = DAY OF WEEK WITH SUNDAY = 1.



SUGGESTED PRINTED CIRCUIT BOARD LAYOUT (COMPONENT SIDE)

YELLOW	GREEN	1888566-2
YELLOW/GREEN	YELLOW/GREEN	1888566-1
POSITION 2	POSITION 1	PART NUMBER
INDICATOR COLOR		

THIS DRAWING IS A CONTROLLED DOCUMENT.		DWN: R. GRZYBOWSKI / J. A. MAYER 20JUNE2006		Tyco Electronics Corporation Harrisburg, Pa 17105-3608	
DIMENSIONS: mm [INCHES]		TOLERANCES UNLESS OTHERWISE SPECIFIED:		NAME: S. FLICKINGER 20JUNE2006	
0 PLC ± -		1 PLC ± -		PRODUCT SPEC: 108-1163-4	
2 PLC ± 0.25[.01]		3 PLC ± 0.13[.005]		APPLICATION SPEC: 114-2154	
4 PLC ± -		ANGLES ± -		SIZE: A1	
MATERIAL: SEE NOTE 1		FINISH: SEE NOTE 1		CAGE CODE: 00779	
				DRAWING NO: 1888566	
				RESTRICTED TO: -	
				CUSTOMER DRAWING	
				SCALE: 4:1	
				SHEET: 1 OF 1	
				REV: C1	

单击下面可查看定价，库存，交付和生命周期等信息

[>>TE Connectivity\(泰科\)](#)