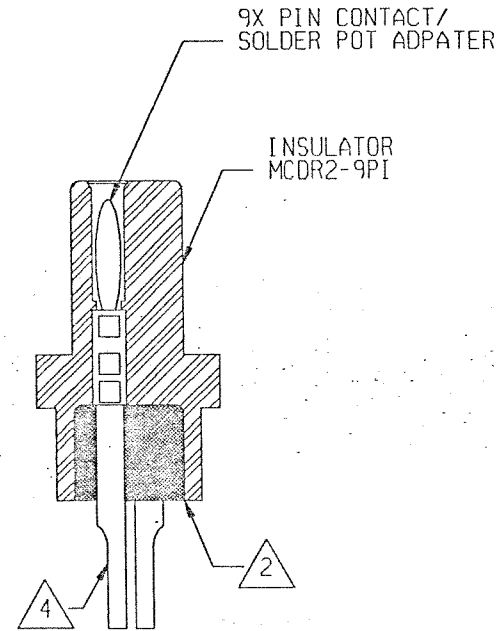
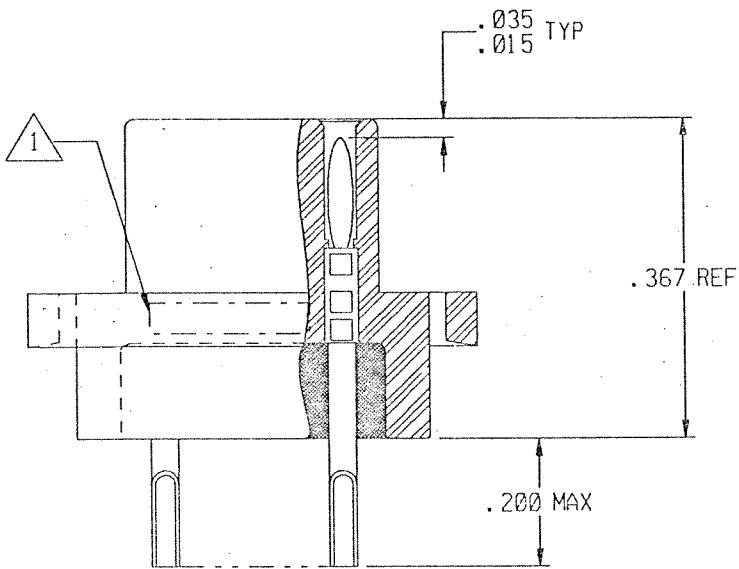
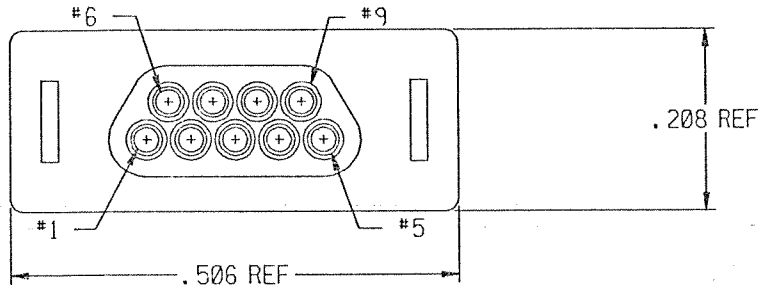


REVISION

ZONE	LTR	ECN	DESCRIPTION	DATE	APPROVED
	B	40164	UPDATE 'TEMPLATE'.	5/1/00	me



Tyco Dwg 9-1532026-5
Micro P/N 095-9603-1004

NOTES: UNLESS OTHERWISE SPECIFIED

1. MARK PER TIS.
2. EPOXY AS SHOWN WITH P/N: 194-8102-6215/6225.
3. CRIMP SOLDER ADAPTER INTO CONTACT PER MEP302-05.
4. CHAMFER ON SOLDER POTS ARE TO BE PARALLEL WITH THE SIDES OF CONNECTOR WITHIN 10°.

UNLESS OTHERWISE SPECIFIED DIMENSIONS ARE IN INCHES. TOLERANCE ARE:		APPROVALS		MICRODOT CONNECTORS A DIVISION OF UNI-STAR INDUSTRIES INC. 306 PASADENA AVE., SO. PASADENA, CA 91103	PROD CODE 824	
FRACTIONS ± 1/8	DECIMALS .XX ± .01 .XXX ± .005	ANGLES ± 2°	SIGNATURE			DATE
BREAK EDGES = .005 MAX			DRAWN BY: <i>Tonye</i>	5/1/00	RACK & PANEL CONNECTOR MCDR2-B-9PS	
MATERIAL:			P.E. <i>McGee</i>	<i>Stiles</i>		CODE M
FINISH:			Q.A.			
THIS DOCUMENT IS THE PROPERTY OF MICRODOT CONNECTORS, A DIVISION OF UNI-STAR INDUSTRIES INC. USE OF THIS DOCUMENT OR ANY PART THEREOF IS STRICTLY FORBIDDEN WITHOUT THE EXPRESS WRITTEN PERMISSION OF MICRODOT CONNECTORS, A DIVISION OF UNI-STAR INDUSTRIES INC.			SIZE A	CODE IDENT NO. 98278	DRAWING NO. 095-9603-1004	
			SCALE: NONE	FILENAME: 09596031004	SHEET 1 OF 1	

单击下面可查看定价，库存，交付和生命周期等信息

[>>TE Connectivity\(泰科\)](#)