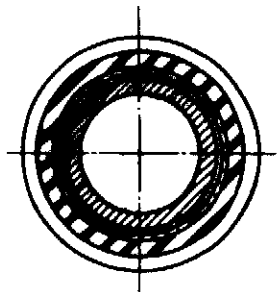
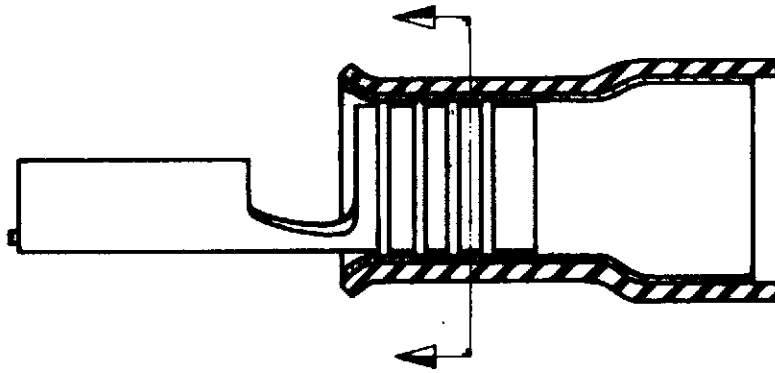
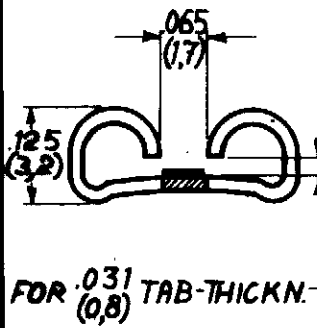
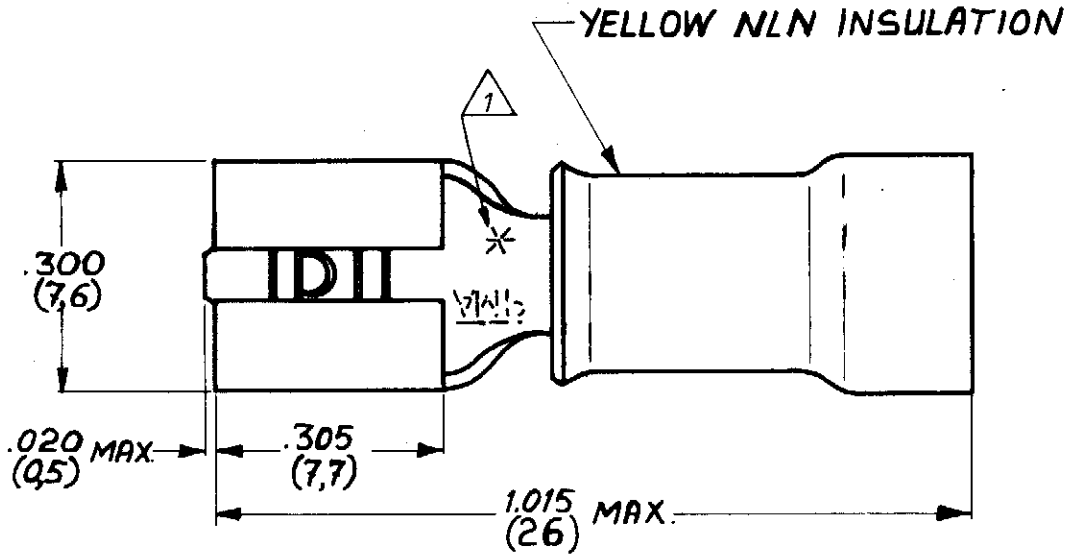


DRAWING MADE IN AMERICAN PROJECTION

P	LTR	DESCRIPTION	DATE	DWN	APVD
	K3	REVISED PER ECO-11-004820	11MAR11	RK	HMR

NUMBER C-160314



- 1 ASTERISK \* FOR PH.BRONZE VERSION ONLY.
- 2 OBSOLETE - NO REPLACEMENT
- 3 DIMENSIONS IN ( ) ARE IN MM.

RECEPTACLE MATERIAL THICKN.: <sup>.018</sup>(<sub>0.45</sub>)

**CUSTOMER COPY FOR REFERENCE ONLY**



TE Connectivity

2-160314-5	160314-5 MOUNTED ON TAPE	
160314-8	PH. BRONZE	TIN-LEAD
160314-5	PHOS. BRONZE	PRE-TINNED
2-160314-2	160314-2 MOUNTED ON TAPE	
160314-4	BRASS	GOLD
160314-2		TIN
ORDER NO.	MATERIAL	PLATING
DR. N. ISSER 4/4/71	DATE	DE DATE
CHK	DATE	APP DATE

WIRE-RANGE 4-6 mm <sup>2</sup>	INSUL.-RANGE 2.58 MAX. DIA (0.38)	Tab ±.015 2 PLC ±(0.38)
SCALE	SIZE A	NO C-160314
NAME 250 Ser. PIDG FASTON RECEPTACLE		REV K3

DIMENSIONS IN ( ) DO NOT SCALE PRINT

单击下面可查看定价，库存，交付和生命周期等信息

[>>TE Connectivity\(泰科\)](#)