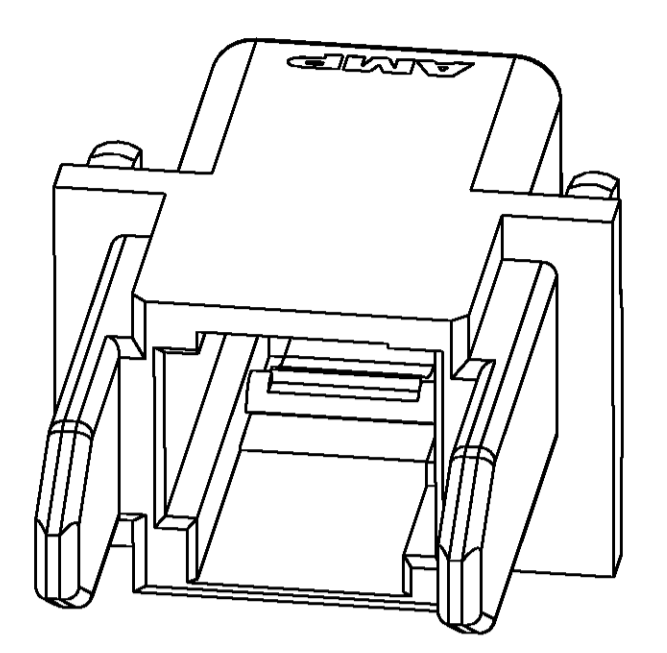
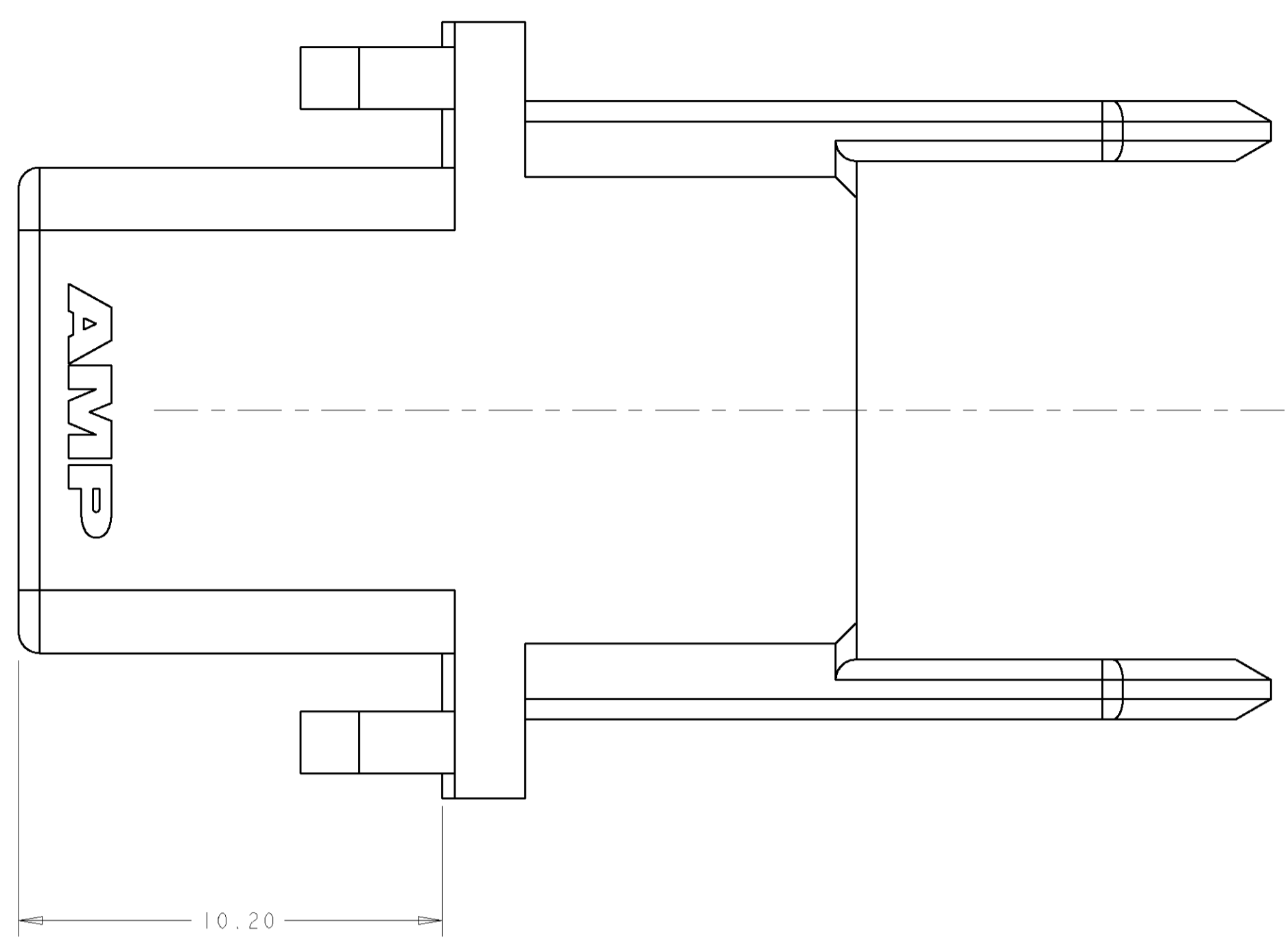
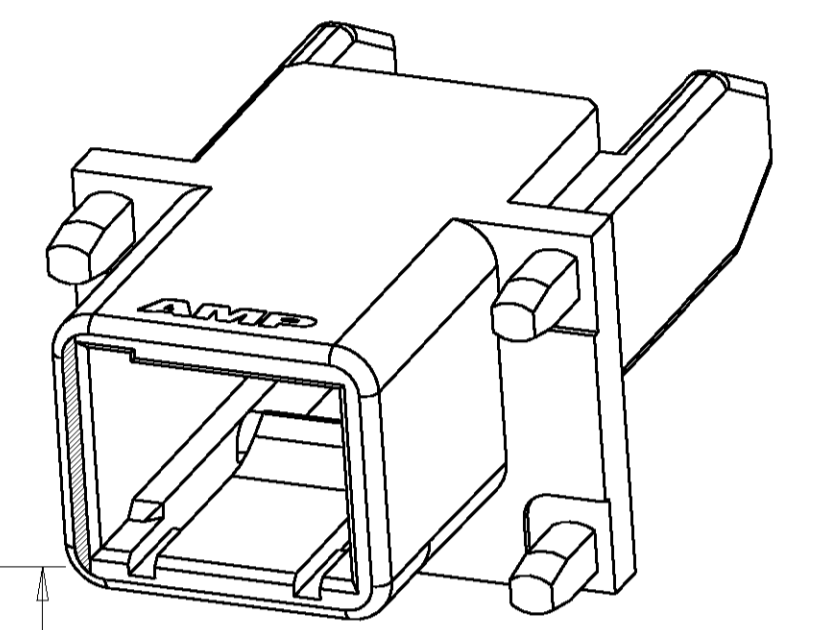
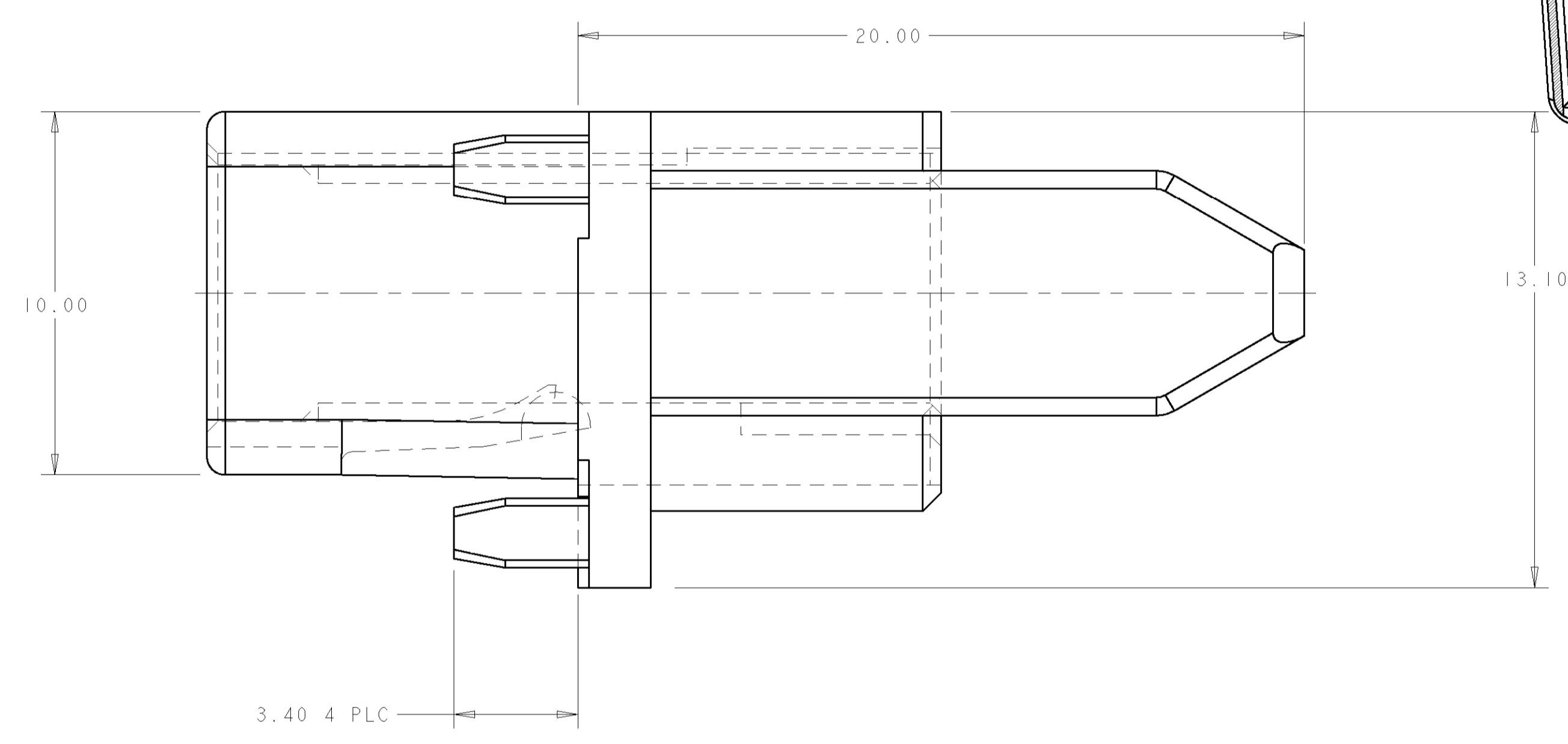


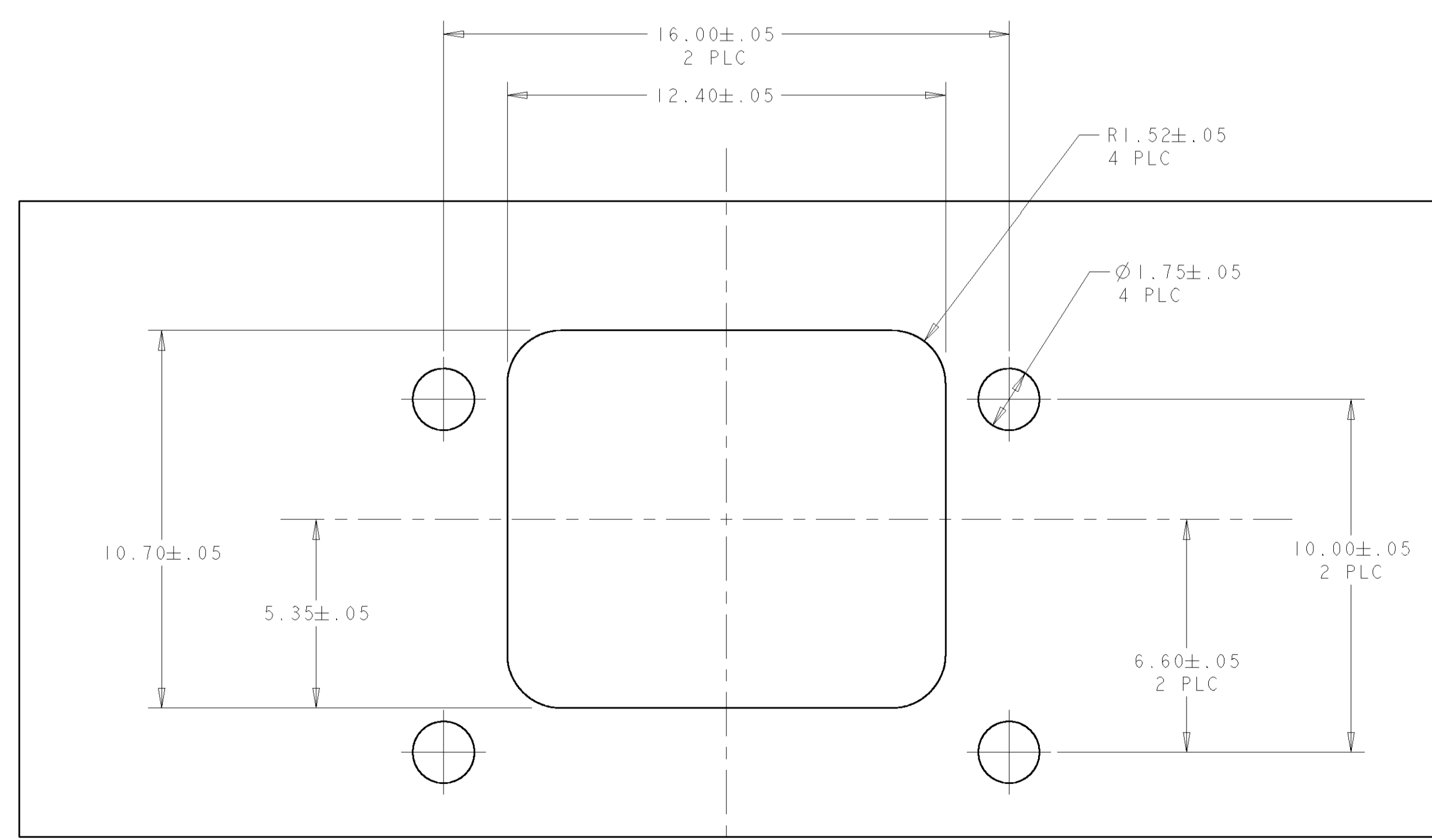
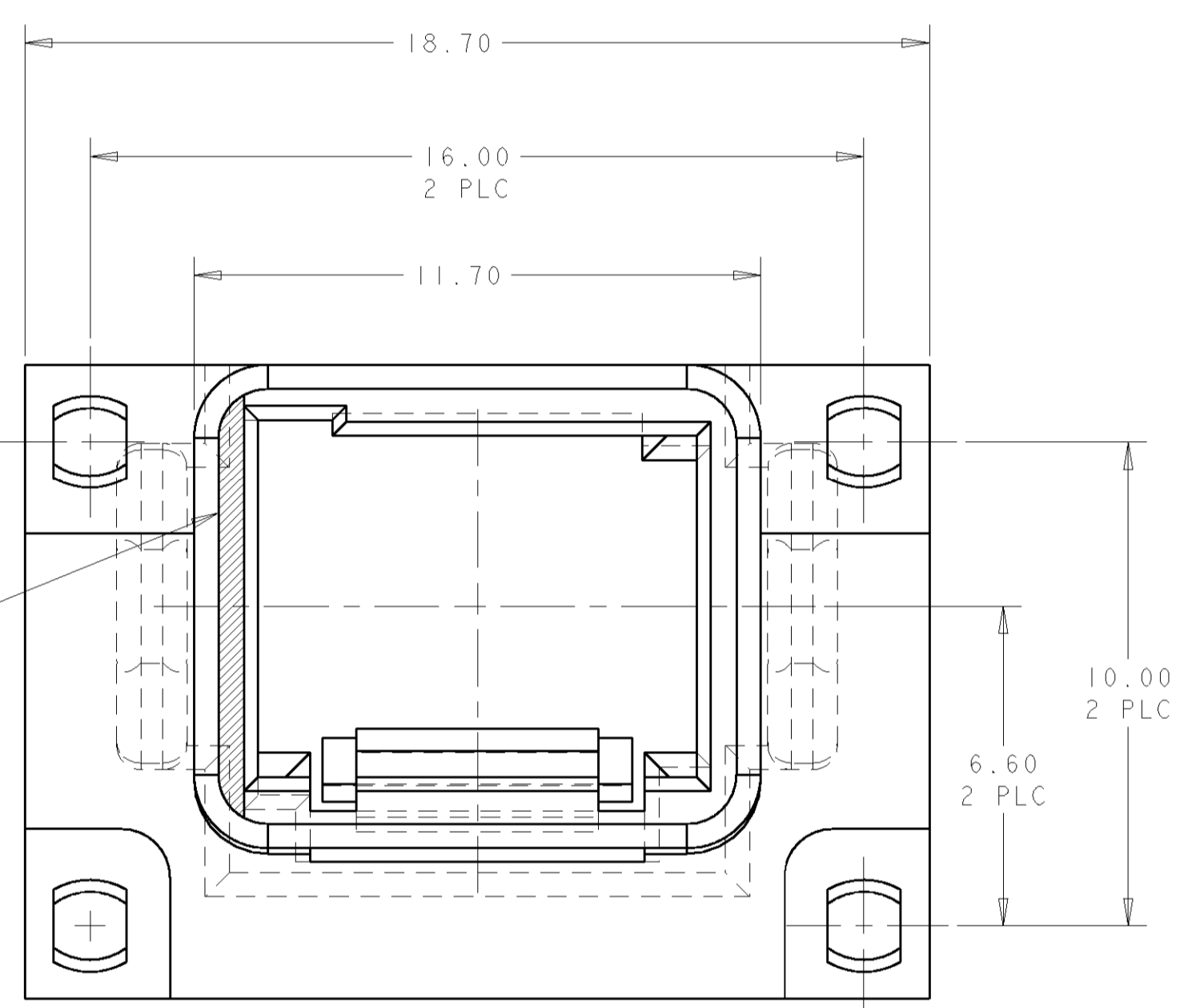
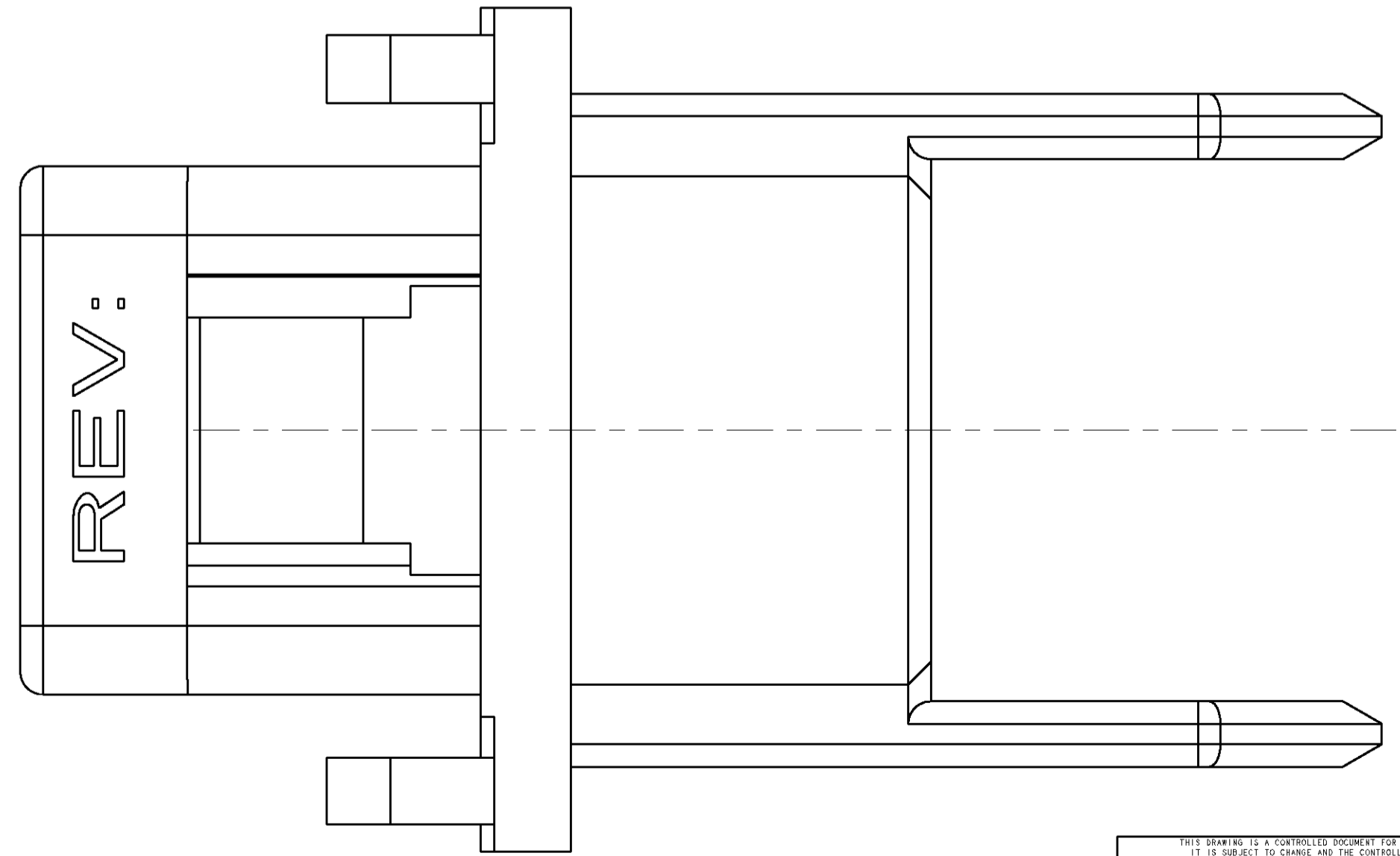
LOC	DIST	REVISIONS				
		REV	DESCRIPTION	DATE	DWN	APPD
CE	16	B	REVISED PER EC	06JAN97	TG	LB
		C	REV PER EC 00B0-0067-01	23JAN01	EB	LB



SCALE 4:1



SCALE 4:1



SUGGESTED BACKPLANE CUT-OUT
SCALE 8:1

492233-1
PART NUMBER

<small>THIS DRAWING IS A CONTROLLED DOCUMENT FOR AMP INCORPORATED. ALL CHANGES TO THIS DRAWING AND THE CONTROLS ON THIS DRAWING SHOULD BE CONTACTED FOR THE LATEST REVISION.</small>		DWN: R. HILEMAN 23-Jan-01 ENR: S. BUCHTER 2-14-97 APPD: S. BUCHTER 2-14-97	AMP Incorporated Harrisburg, PA 17105-3608
DIMENSIONS: mm 	TOLERANCES UNLESS OTHERWISE SPECIFIED: 0 PLC ± 1 PLC ±0.3 2 PLC ±0.10 3 PLC ±0.001 4 PLC ±0.0001 ANGLES ±	NAME: HOUSING WITH POST, BACKPLANE, SINGLE POSITION, LIGHTRAY MPX PRODUCT SPEC: - APPLICATION SPEC: - WEIGHT: -	SIZE: A1 CAGE CODE: 00779 DRAWING NO: 492233 SCALE: 8:1
MATERIAL: - FINISH: -		CUSTOMER DRAWING SHEET 1 OF 1 REV C	

单击下面可查看定价，库存，交付和生命周期等信息

[>>TE Connectivity\(泰科\)](#)