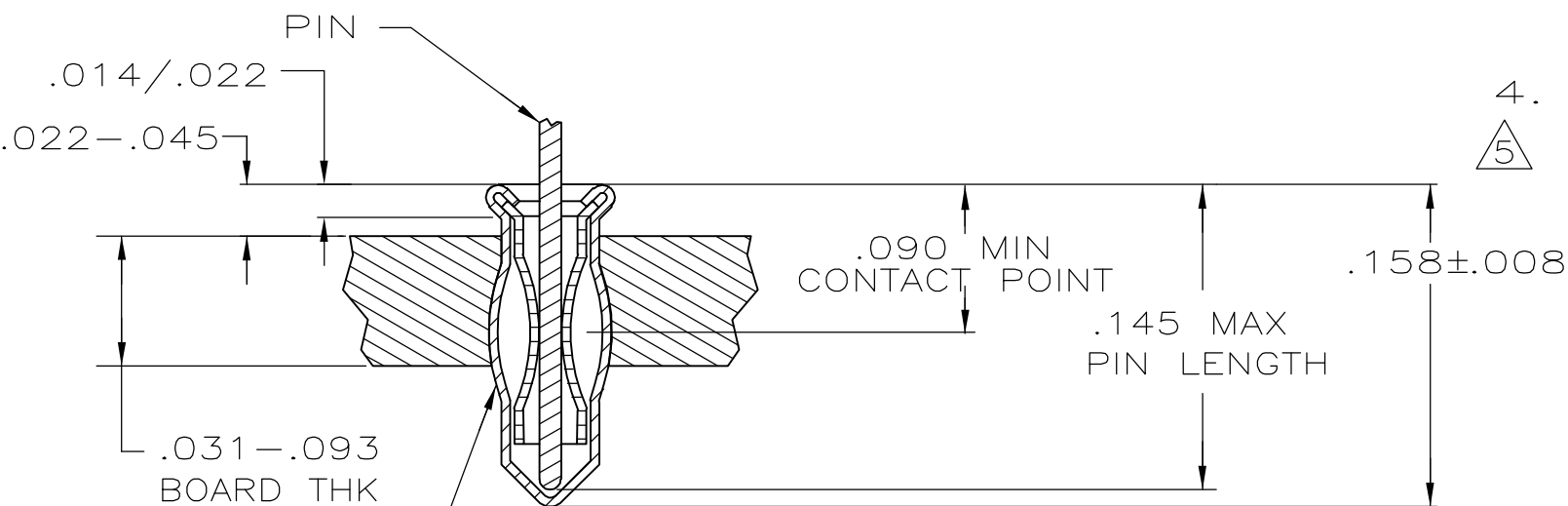
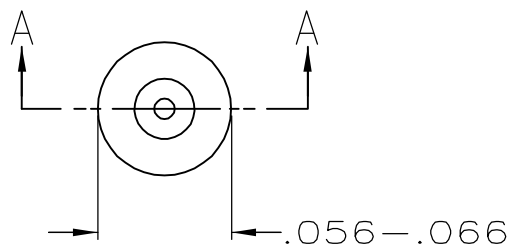


| | | | | | | | |
|-----|------|-----------|-----|---------------------------|---------|-----|------|
| LOC | DIST | REVISIONS | | | | | |
| AG | 53 | P | LTR | DESCRIPTION | DATE | DWN | APVD |
| | | G1 | | REVISED PER ECO-06-018763 | 07FEB07 | DKH | JH |



1. MATERIAL:
 EYELET - COPPER (QQ-C-576)
 SPRING - BERYLLIUM COPPER (QQ-C-533)
- △2 TIN (MIL-T-10727) .000150 MIN THK
- △3 GOLD (MIL-G-45204) .000030 MIN THK OVER NICKEL (QQ-N-290) .000011 MIN THK ON CONTACT AREA.
- △4 TO INSURE 1/2 OZ MIN RETENTION DO NOT EXCEED .004 DIFFERENCE IN PIN DIA WHEN CHANGING TO A SMALLER DIA PIN
4. HOLE SIZE FOR HAND INSERTION 0.043-0.046
- △5 TIN-LEAD PLATE .000150 MIN. THK.

OBSOLETE
OBSOLETE

| | | | | |
|--------------------|-----------|---------|--------|----------|
| .090/.145 | .015/.021 | GOLD △3 | △5 | 645945-7 |
| .090/.145 | .012/.018 | GOLD △3 | △2 | 645945-5 |
| | | TIN △2 | | 645945-4 |
| | .015/.021 | GOLD △3 | △2 | 645945-2 |
| | | TIN △2 | | 645945-1 |
| LENGTH | DIA △3 | SPRING | EYELET | PART NO |
| PIN | | FINISH | | |
| NO. 1 SERIES SHORT | | | | |

SECTION A-A

| | | | | |
|---|--|---------------------------------|---|--------------------|
| THIS DRAWING IS A CONTROLLED DOCUMENT. | | DWN M. BOWERS 12-10-82 | AMP Incorporated Harrisburg, PA 17105-3608 | |
| DIMENSIONS: INCHES | | CHK P. MUTZABAUGH 6-10-85 | NAME MINIATURE SPRING SOCKET ASSEMBLY | |
| TOLERANCES UNLESS OTHERWISE SPECIFIED: 0 PLC ±- 1 PLC ±- 2 PLC ±- 3 PLC ±- 4 PLC ±- ANGLES ±- | | APVD G.D. MILLER 6-10-85 | PRODUCT SPEC - | |
| MATERIAL - | | FINISH - | APPLICATION SPEC - | RESTRICTED TO - |
| | | WEIGHT - | SIZE A3 | CAGE CODE 00779 |
| | | CUSTOMER DRAWING | DRAWING NO C- 645945 | REV G1 |
| | | SCALE NTS | SHEET 1 OF 1 | |

单击下面可查看定价，库存，交付和生命周期等信息

[>>TE Connectivity\(泰科\)](#)