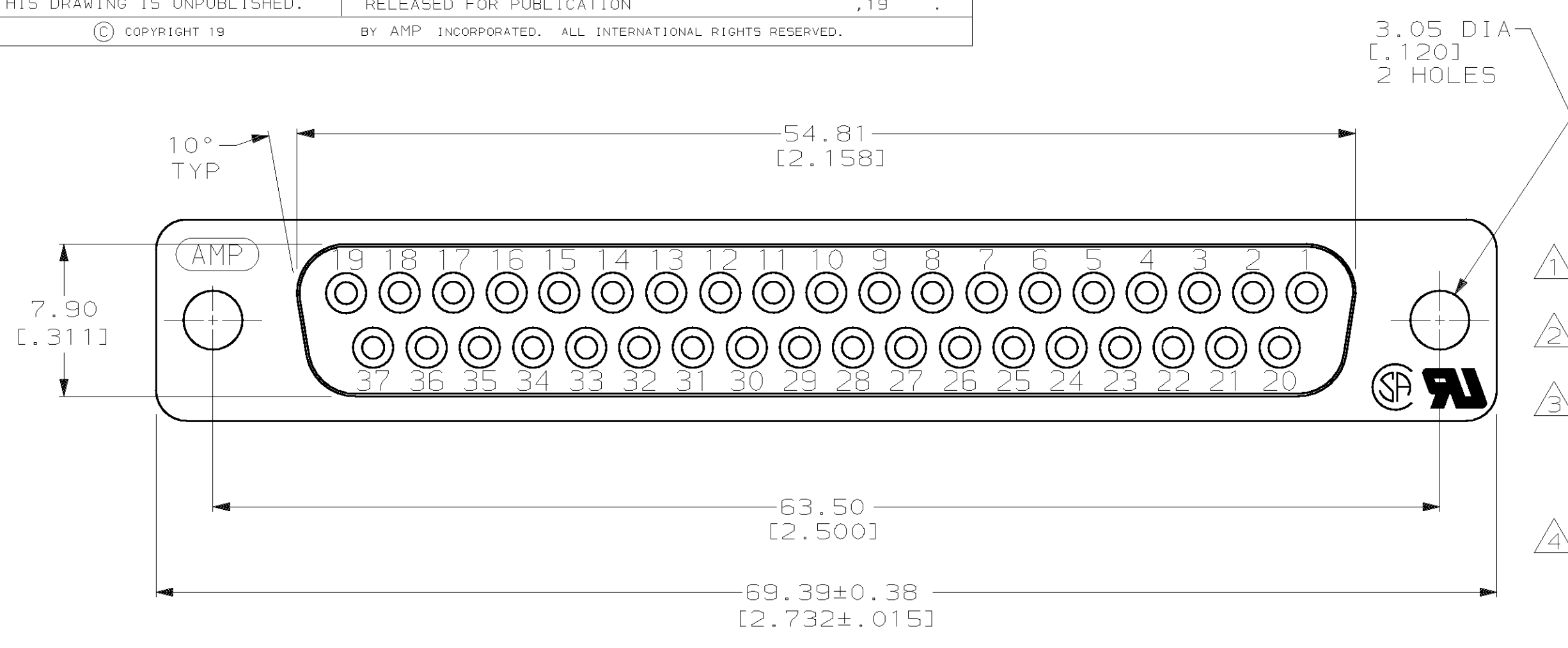
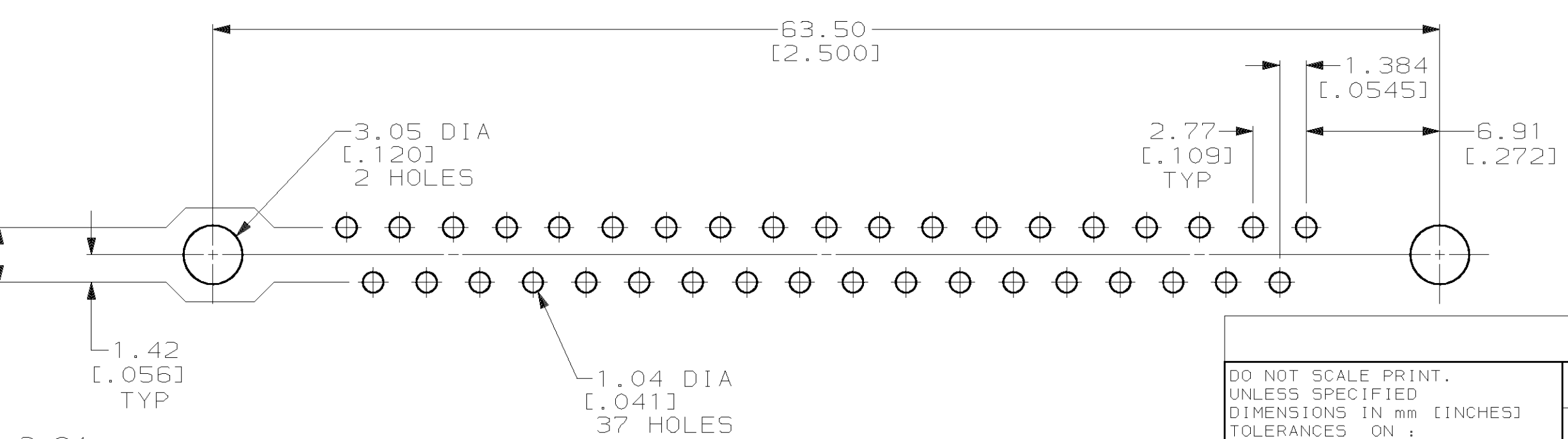
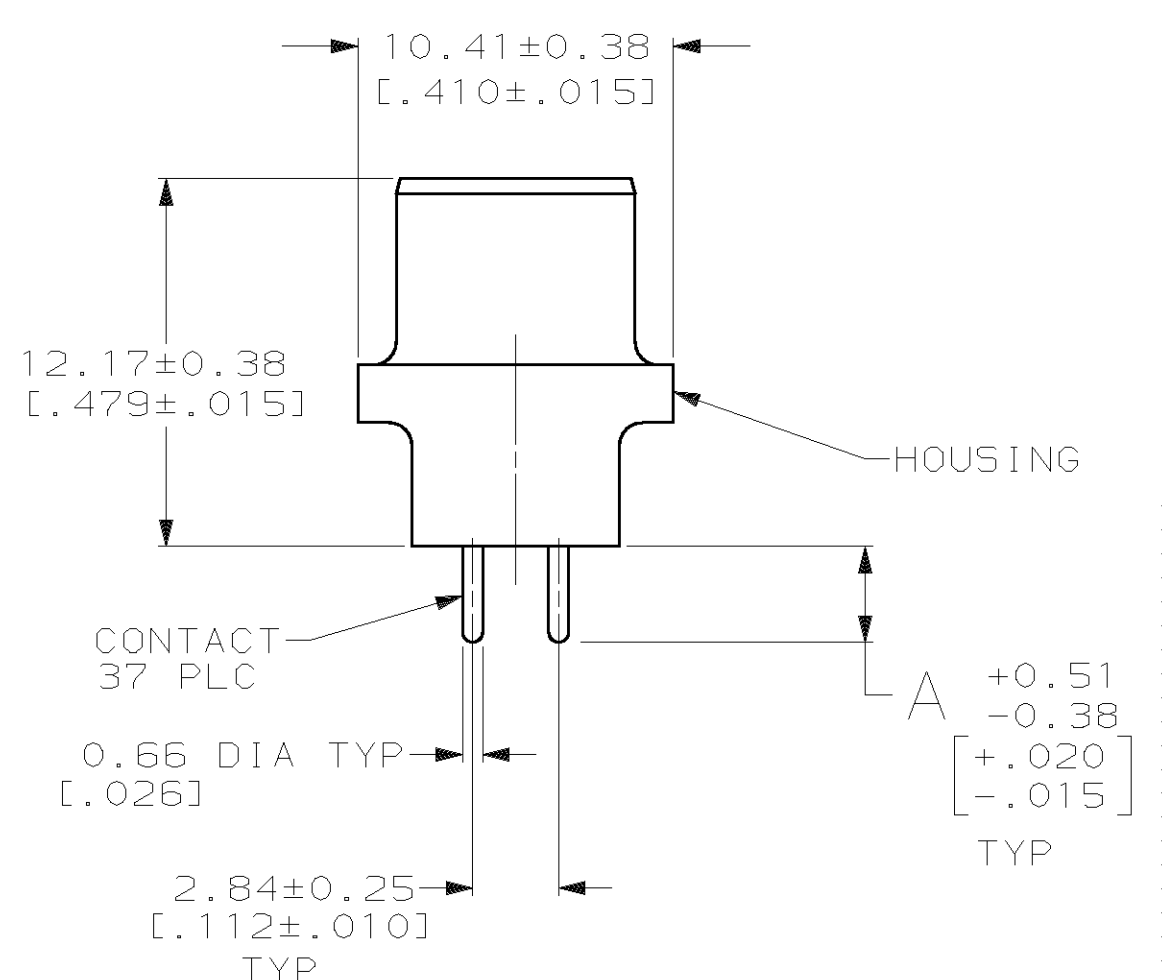
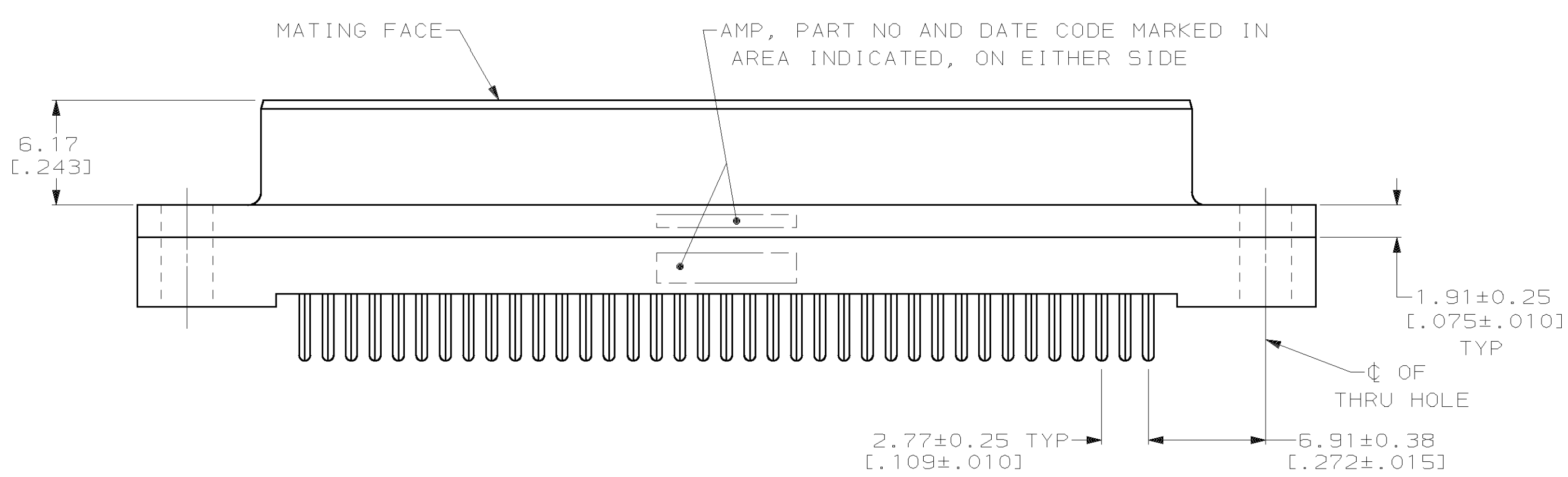


LOC	DIST	P	F	ZONE	LTR	REVISIONS	DATE	APPD
GP	00				H	REVISED PER EC 0513-0017-03	12MAY03	JG



- ① HOUSING: BLACK POLYESTER, UL 94V-0 RATED; CONTACTS: PHOSPHOR BRONZE PER QQ-B-750.
- ② GOLD PLATING PER MIL-G-45204, TIN PLATING PER MIL-T-10727, NICKEL PLATING PER QQ-N-290.
- ③ GOLD FLASH FOR A LENGTH OF 2.54[.100] MIN FROM MATING END, 2.54µm[.000100] MIN TIN OR TIN-LEAD FOR A LENGTH OF DIMENSION A FROM OPPOSITE END, ALL OVER 1.27µm[.000050] MIN NICKEL.
- ④ 0.76µm[.000030] MIN GOLD FOR A LENGTH OF 2.54[.100] MIN FROM MATING END, 2.54µm[.000100] MIN TIN OR TIN-LEAD FOR A LENGTH OF DIMENSION A FROM OPPOSITE END, ALL OVER 1.27µm[.000050] MIN NICKEL.



	A	CONTACT FINISH	PART NO
OBSOLETE	6.35 [.250]	④	207829-8
OBSOLETE	6.35 [.250]	③	207829-7
OBSOLETE	4.32 [.170]	④	207829-6
OBSOLETE	4.32 [.170]	③	207829-5
	3.18 [.125]	④	207829-4
OBSOLETE	3.18 [.125]	③	207829-3
OBSOLETE	3.56 [.140]	④	207829-2

DO NOT SCALE PRINT. UNLESS SPECIFIED DIMENSIONS IN mm [INCHES] TOLERANCES ON: 2 PLC DEC ± 0.13 [0.005] 3 PLC DEC ± - ANGLES ± 2°	DR 11-15-89 J McCLINTON	AMP INCORPORATED Harrisburg, Pa. 17105	
	CHK 2-1-90 R. STONE		
MATERIAL ①	APPD 2-2-90 S. SCHIEFERLY	SIZE C	CAGE CODE 00779
	APPD 2-2-90 C. ROHDE	PRODUCT SPEC 108-40025	DRAWING NO 207829
FINISH ②	APPLICATION SPEC -	SCALE 4:1	SHEET 1 OF 1
CONTACT: SEE TABLE	WEIGHT -		

单击下面可查看定价，库存，交付和生命周期等信息

[>>TE Connectivity\(泰科\)](#)