

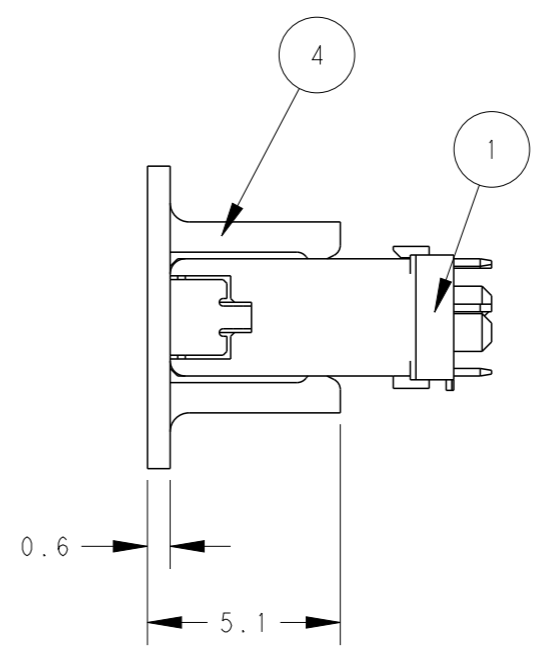
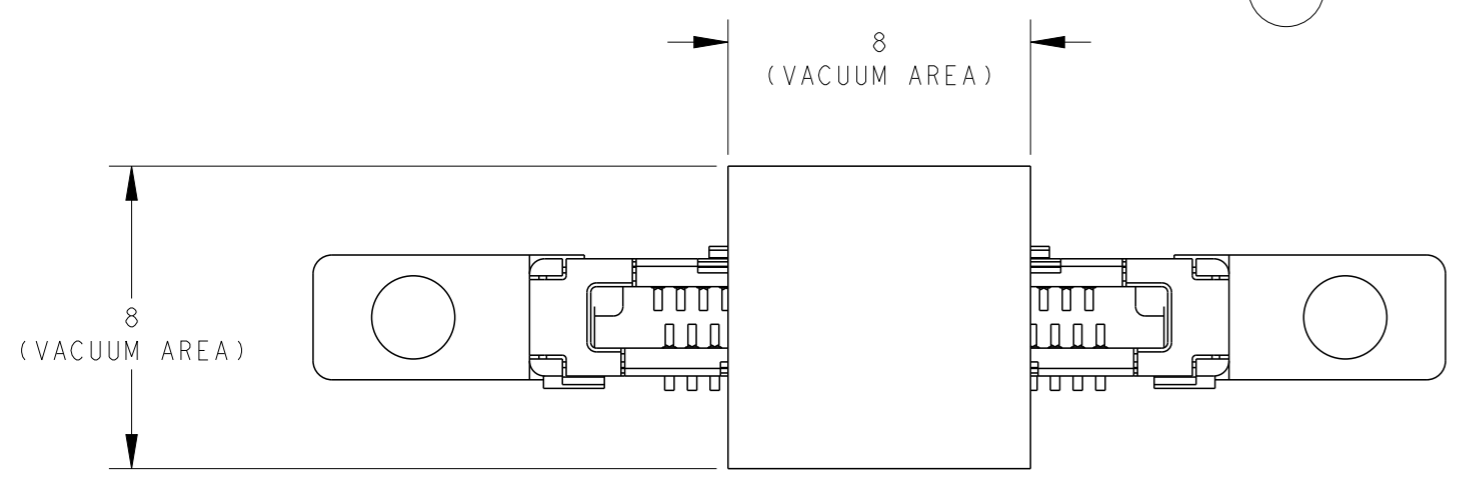
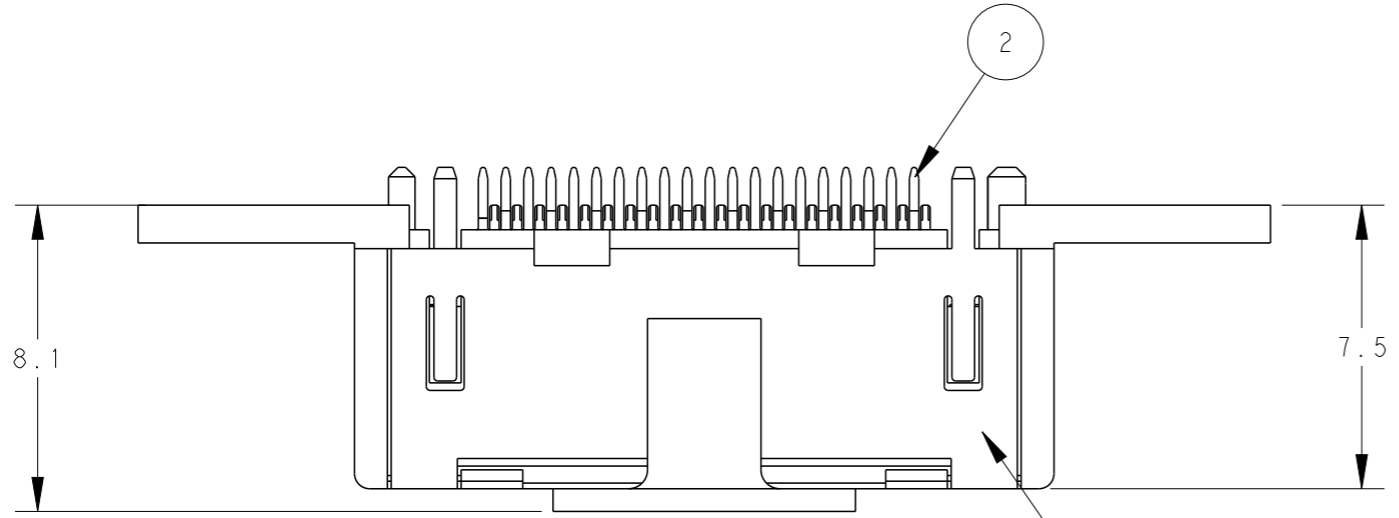
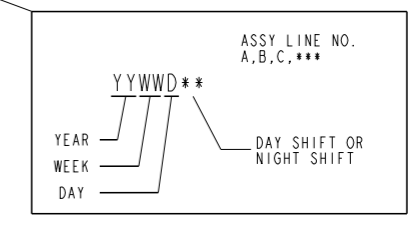
THIS DRAWING IS UNPUBLISHED. RELEASED FOR PUBLICATION 20
 © COPYRIGHT 20 BY - ALL RIGHTS RESERVED.

LOC	DIST	REVISIONS				
P	LTR	DESCRIPTION	DATE	DWN	APVD	
	A	RELEASED	25NOV2011	T. K	H. K	

WITH CAP CONDITION

2129367-1; AS SHOWN

- ① MATERIAL: HOUSING: THERMO-PLASTIC(UL94V-0,BLACK).
CONTACT: COPPER ALLOY.
SHELL: STAINLESS STEEL.
CAP: THERMO-PLASTIC(UL94V-0,BLACK).
- ② FINISH:
CONTACT: ALL OVER 2um MIN. Ni UNDER PLATING.
0.254um MIN. Au PLATING ON CONTACT AREA.
1~3um Tin PLATING ON TINE AREA.
SHELL: ALL OVER 1.3um MIN. Ni UNDER PLATING.
- 3. DATE CODE



Q'TY	NAME	ITEM
1	CAP	④
1	SHELL	③
40	CONTACT	②
1	HOUSING	①

THIS DRAWING IS A CONTROLLED DOCUMENT.

DWN	T. KUO	25NOV2011	 TE Connectivity	NAME PLUG ASSY, 0.6mm PITCH CHAMP DOCKING CONNECTOR, 40POS
CHK	V. PENG	25NOV2011		
APVD	H. KODAMA	25NOV2011		
PRODUCT SPEC	108-99033			
APPLICATION SPEC			SIZE	RESTRICTED TO
WEIGHT			A300779	C=2129367
CUSTOMER DRAWING			SCALE	SHEET
			1:1	1 OF 5
				REV
				A

DIMENSIONS:		TOLERANCES UNLESS OTHERWISE SPECIFIED:	
mm			
	0 PLC	±	
	1 PLC	±	±0.25
	2 PLC	±	±3°
	3 PLC	±	
	4 PLC	±	
	ANGLES	±	
MATERIAL	FINISH	①	②

THIS DRAWING IS UNPUBLISHED.

RELEASED FOR PUBLICATION

20

© COPYRIGHT 20 BY -

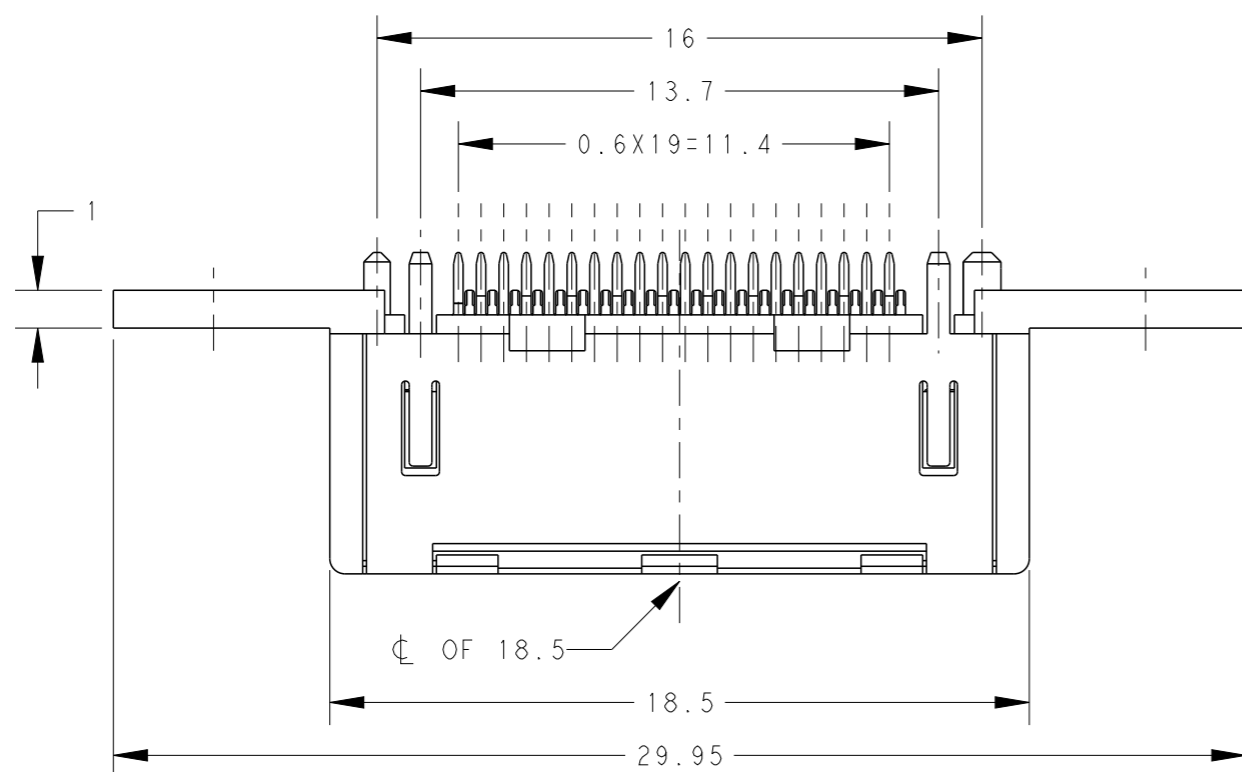
ALL RIGHTS RESERVED.

LOC
DW

DIST

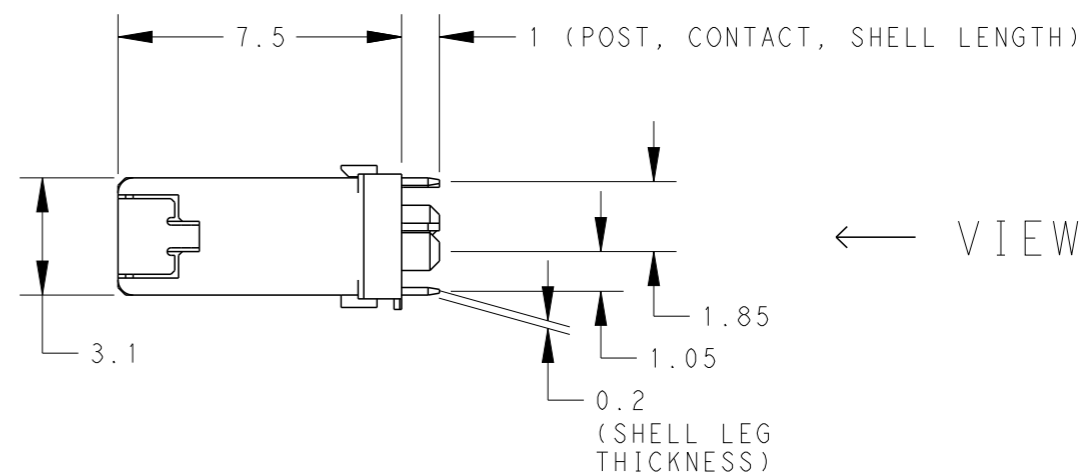
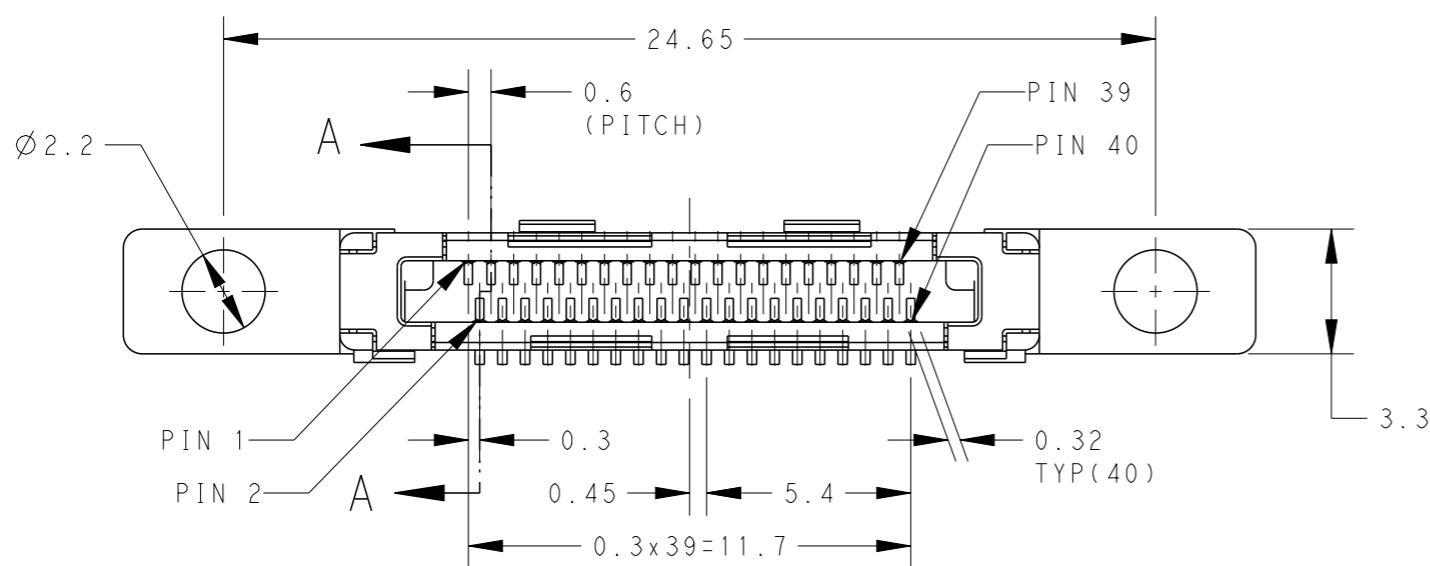
REVISIONS

P	LTR	DESCRIPTION	DATE	DWN	APVD
-	-	SEE SHEET 1	-	-	-



2129367-1; AS SHOWN

W/O CAP CONDITION

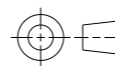


← VIEW C

↑ VIEW B

THIS DRAWING IS A CONTROLLED DOCUMENT.

DIMENSIONS:
mm



TOLERANCES UNLESS OTHERWISE SPECIFIED:

0 PLC	±	±0.25
1 PLC	±	±0.25
2 PLC	±	±0.25
3 PLC	±	±3°
4 PLC	±	±
ANGLES	±	±
FINISH	-	-

MATERIAL

DWN	-
CHK	-
APVD	-
PRODUCT SPEC	-
APPLICATION SPEC	-
WEIGHT	0.84g
CUSTOMER DRAWING	-



TE Connectivity

NAME
PLUG ASSY, 0.6mm PITCH
CHAMP DOCKING CONNECTOR, 40POS

SIZE	CAGE CODE	DRAWING NO	RESTRICTED TO
A3	00779	C-2129367	-
SCALE	SHEET	OF	REV
5:1	2	5	A

4

3

2

1

THIS DRAWING IS UNPUBLISHED.

RELEASED FOR PUBLICATION

20

© COPYRIGHT 20 BY -

ALL RIGHTS RESERVED.

LOC
DW

DIST

REVISIONS

P	LTR	DESCRIPTION	DATE	DWN	APVD
-	-	SEE SHEET 1	-	-	-

2129367-1; AS SHOWN

0.6 (PITCH)
5.4
0.45
0.7
0.6X19=11.4
0.25 (SOLDER TAIL WIDTH)
Ø1

VIEW B

1.8
0.65
0.2 (CONTACT THICKNESS)
PIN 1
PIN 3
0.7 REF
0.85
0.8
PIN 39
PIN 40
0.6 (PITCH)
5.4
0.45
11.4
0.25 (SOLDER TAIL WIDTH)

VIEW C

4.47
0.95
0.75 REF
0.5
0.2 (CONTACT THICKNESS)
0.1 TYP
(GND PIN: PIN2, 40)

SECTION A-A

THIS DRAWING IS A CONTROLLED DOCUMENT.

DIMENSIONS:
mm

TOLERANCES UNLESS OTHERWISE SPECIFIED:

0 PLC	±	±0.25
1 PLC	±	±0.25
2 PLC	±	±0.25
3 PLC	±	±0.25
4 PLC	±	±0.25
ANGLES	±	±3°
FINISH	-	-

MATERIAL

DWN	-
CHK	-
APVD	-
PRODUCT SPEC	-
APPLICATION SPEC	-
WEIGHT	-

TE Connectivity

NAME
PLUG ASSY, 0.6mm PITCH
CHAMP DOCKING CONNECTOR, 40POS

SIZE	CAGE CODE	DRAWING NO	RESTRICTED TO
------	-----------	------------	---------------

A300779 C-2129367

CUSTOMER DRAWING

SCALE 5:1

SHEET 3 OF 5

REV A

1470-19 (3/11)

Downloaded From Onevac.com

4

3

2

1

THIS DRAWING IS UNPUBLISHED.

RELEASED FOR PUBLICATION

20

LOC

DIST

REVISIONS

© COPYRIGHT 20 BY - ALL RIGHTS RESERVED.

P	LTR	DESCRIPTION	DATE	DWN	APVD
-	-	SEE SHEET 1	-	-	-

RECOMMENDED P.C. BOARD LAYOUT (TOP VIEW)

△ CONNECTOR OUTLINE

THIS DRAWING IS A CONTROLLED DOCUMENT.

DIMENSIONS:

mm

TOLERANCES UNLESS OTHERWISE SPECIFIED:

0 PLC	±	±0.05
1 PLC	±	±0.05
2 PLC	±	±0.05
3 PLC	±	±3°
4 PLC	±	±
ANGLES	±	±
FINISH	-	-

MATERIAL

DWN	-
CHK	-
APVD	-
PRODUCT SPEC	-
APPLICATION SPEC	-
WEIGHT	-

TE Connectivity

NAME
PLUG ASSY, 0.6mm PITCH
CHAMP DOCKING CONNECTOR, 40POS

SIZE	CAGE CODE	DRAWING NO
A3	00779	C-2129367

RESTRICTED TO

CUSTOMER DRAWING

SCALE 8:1

SHEET 4 OF 5

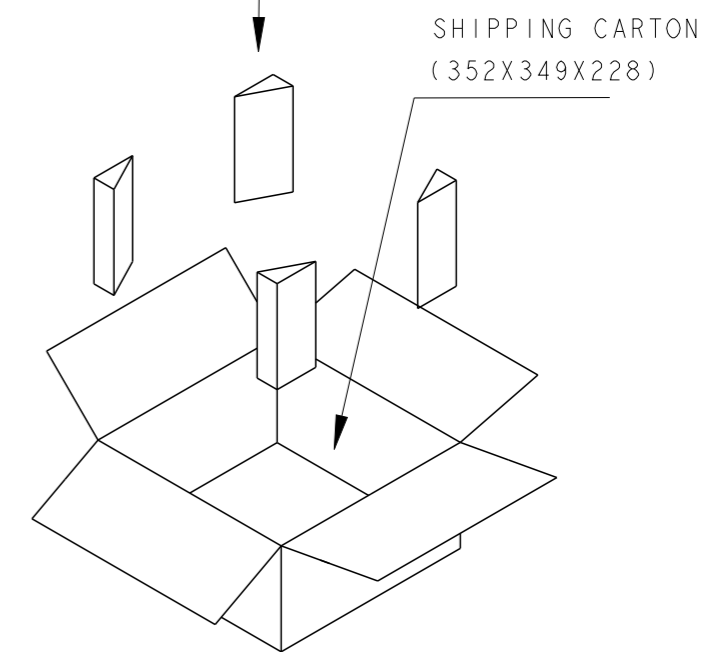
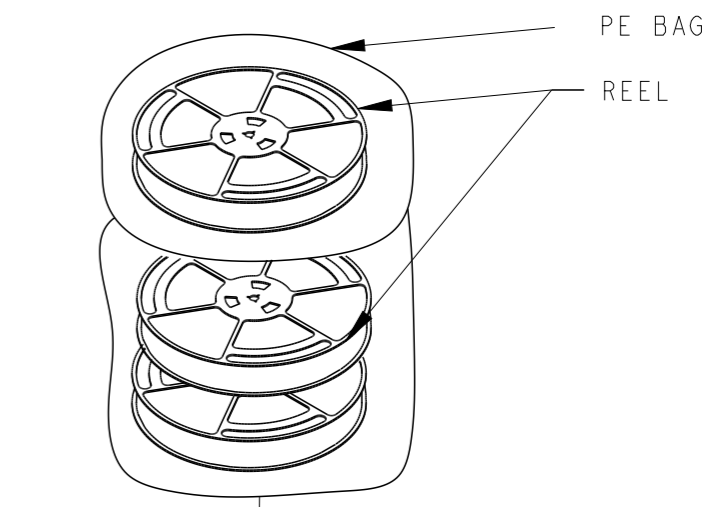
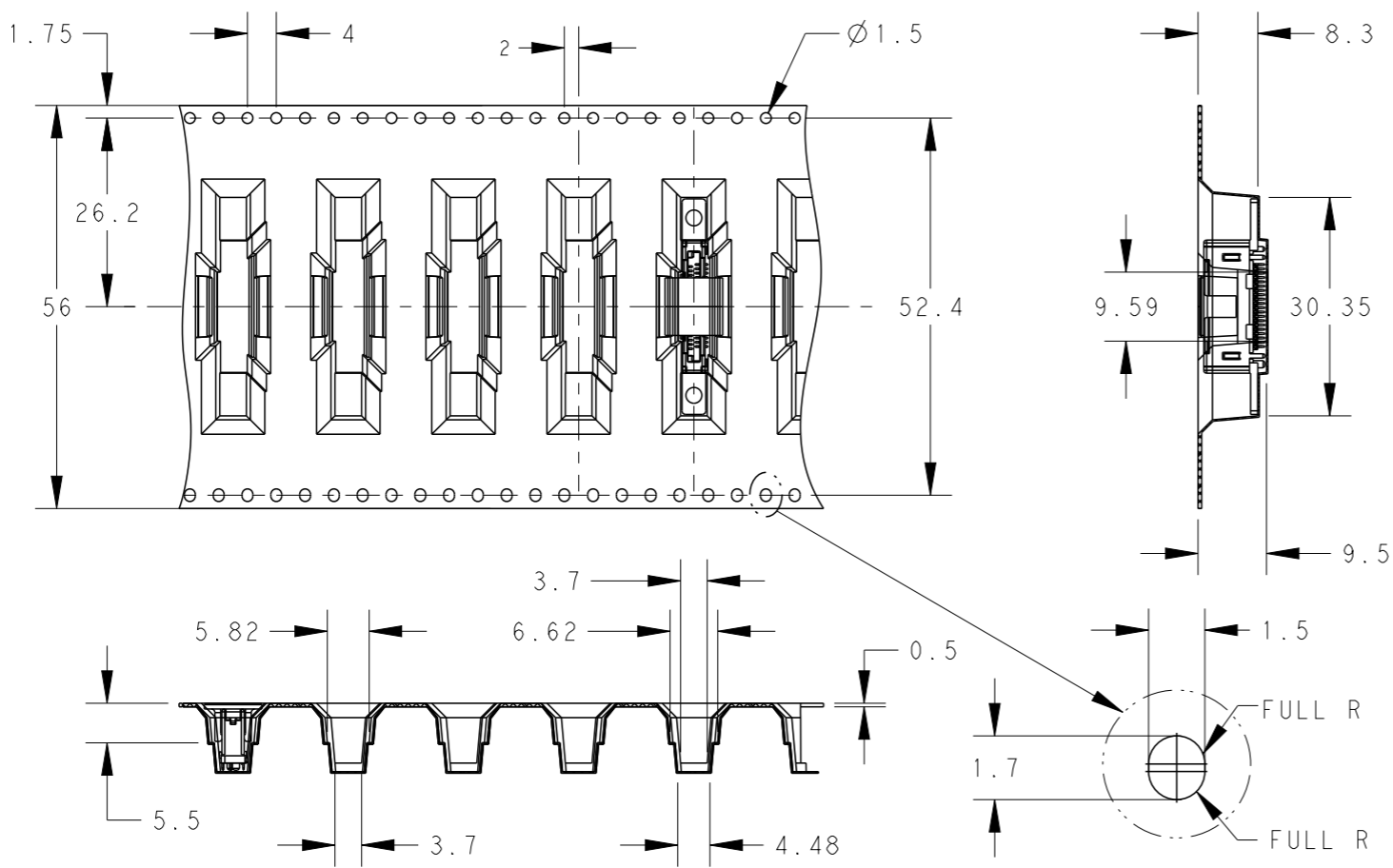
REV A

1470-19 (3/11)

Downloaded From Onevac.com

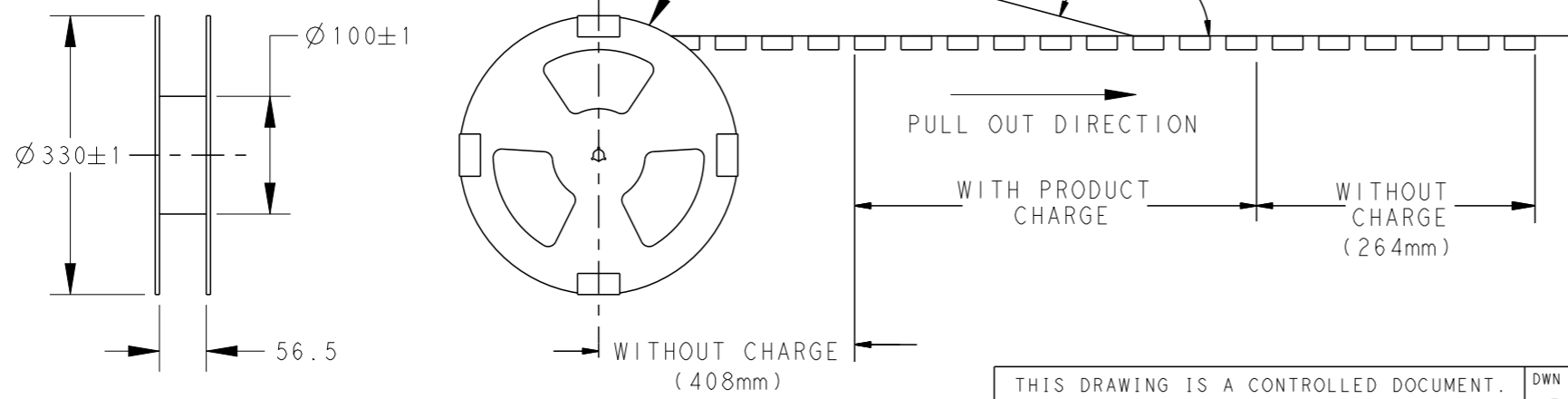
THIS DRAWING IS UNPUBLISHED. RELEASED FOR PUBLICATION 20
 © COPYRIGHT 20 BY - ALL RIGHTS RESERVED.

LOC		DIST		REVISIONS				
P	LTR	DESCRIPTION			DATE	DWN	APVD	
		SEE SHEET 1						



5. PACKING MATERIAL:
 CARRY TAPE: PS; COLOR:BLACK.
 COVER TAPE: PET; COLOR: CLEAR.
 6. PEELING STRENGTH OF COVER TAPE: 0.2N~1.2N

AROUND THE OUTER PERIPHERY IN A TURN.
 WEEDING THE COVER TAPE
 PEELING ANGLE: 165°~180°



400	3	1200
PCS/ TAPE	REELS/ CARTON	TOTAL QUANTITY

THIS DRAWING IS A CONTROLLED DOCUMENT.		DWN	-	 TE Connectivity	
DIMENSIONS: mm		CHK	-		
TOLERANCES UNLESS OTHERWISE SPECIFIED:		APVD	-		
0 PLC ±- 1 PLC ±- ±0.5 2 PLC ±- ±3° 3 PLC ±- 4 PLC ±- ANGLES ±- FINISH -		PRODUCT SPEC	-		
MATERIAL		APPLICATION SPEC	-	NAME PLUG ASSY, 0.6mm PITCH CHAMP DOCKING CONNECTOR, 40POS	
		WEIGHT	-	SIZE	A3
		CUSTOMER DRAWING	-	CAGE CODE	00779
			-	DRAWING NO	C-2129367
			-	RESTRICTED TO	-
			-	SCALE	FREE
			-	SHEET	5 OF 5
			-	REV	A

单击下面可查看定价，库存，交付和生命周期等信息

[>>TE Connectivity\(泰科\)](#)