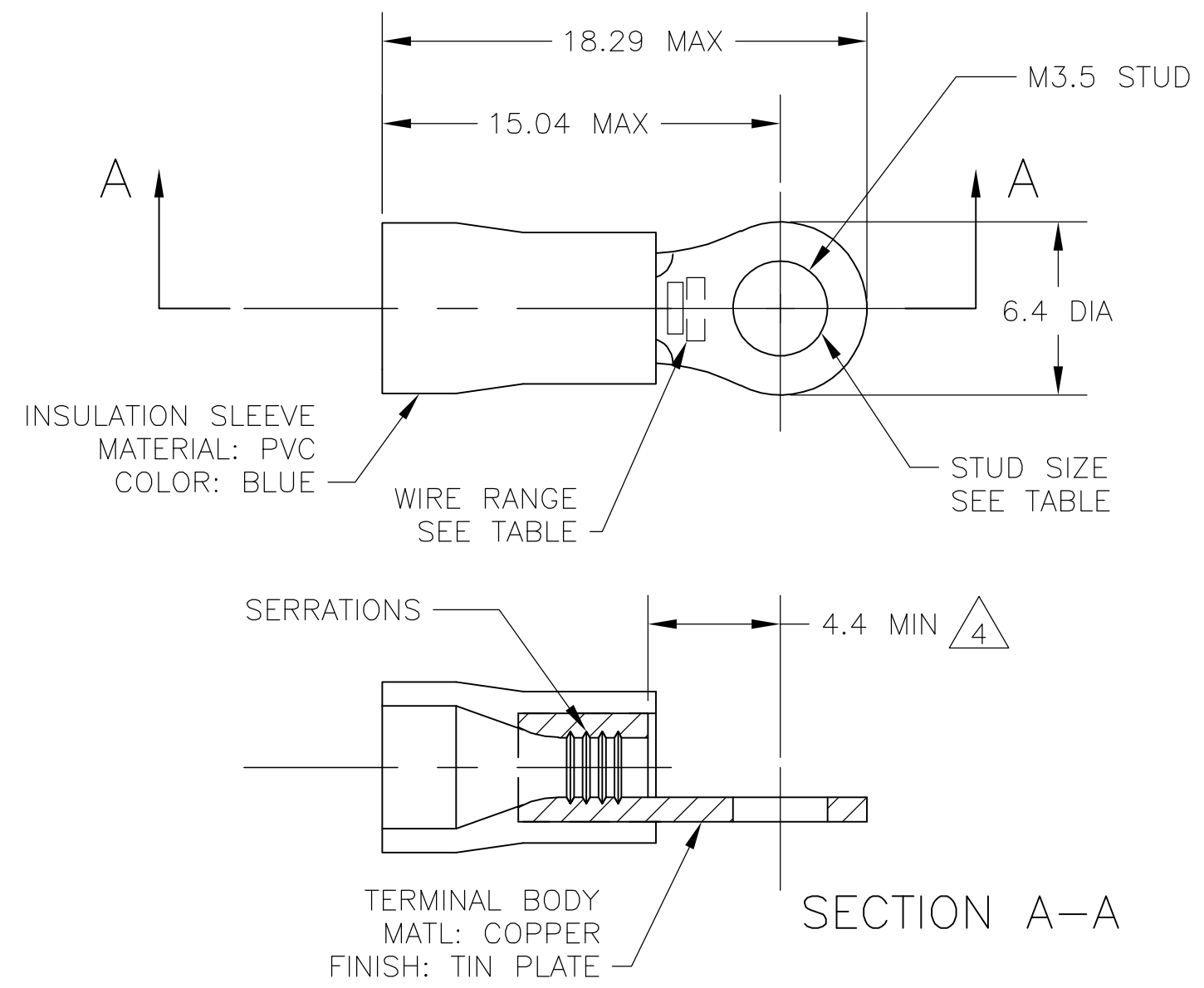


THIS DRAWING IS UNPUBLISHED. RELEASED FOR PUBLICATION
 © COPYRIGHT BY TYCO ELECTRONICS CORPORATION. ALL RIGHTS RESERVED.

LOC	DIST	REVISIONS					
		P	LTR	DESCRIPTION	DATE	DWN	APVD
G	02		R2	REV PER ECR-06-001930	13FEB06	HMR	TM



- 1 WIRE SIZE IS 16-14 AWG
- 2 WIRE INSULATION DIA: 3.0-4.9
- 3 MATERIAL THICKNESS IS 0.8
- $\triangle 4$ DIMENSION APPLIES FROM EDGE OF METAL WIRE BARREL TO END OF PIN.
- $\triangle 5$ SUPERSEDED BY 342142-1
- $\triangle 6$ OBSOLETE, NO REPLACEMENT

BULK	SCANDINAVIAN	5000	$\triangle 6$	8-342142-7
POLY BAG WITH HEADER	STANDARD	100	$\triangle 5$	7-342142-1
PLASTIC BOX	STANDARD	100	$\triangle 5$	6-342142-1
TAPED MOUNTED	STANDARD	5000		2-342142-1
PLASTIC BAG	STANDARD	100		342142-1
PACKAGING	LABELLING	QTY		PART NO

DIMENSIONS: INCHES		TOLERANCES UNLESS OTHERWISE SPECIFIED:		MATERIAL		FINISH		WEIGHT		SCALE		SHEET		REV	
0 PLC	± -	1 PLC	± 0.5							A2	00779	C=	342142		
2 PLC	± -	3 PLC	± -							5:1		1	of 1	R2	
4 PLC	± -	ANGLES	± 1'							CUSTOMER DRAWING					

THIS DRAWING IS A CONTROLLED DOCUMENT.		DWN		02DEC05		TycO Electronics Corporation		Harrisburg, PA 17105-3608	
CHK	T MICHIELUTTI	02DEC05							
APVD	T MICHIELUTTI	02DEC05							
PRODUCT SPEC									
APPLICATION SPEC									
NAME	TERMINAL, RING TONGUE, PLASTI-GRIP,			SIZE	CAGE CODE	DRAWING NO	RESTRICTED TO		

单击下面可查看定价，库存，交付和生命周期等信息

[>>TE Connectivity\(泰科\)](#)