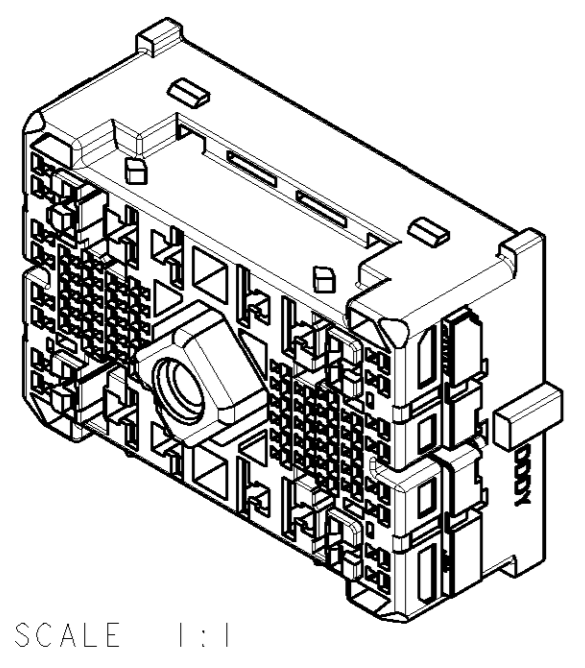
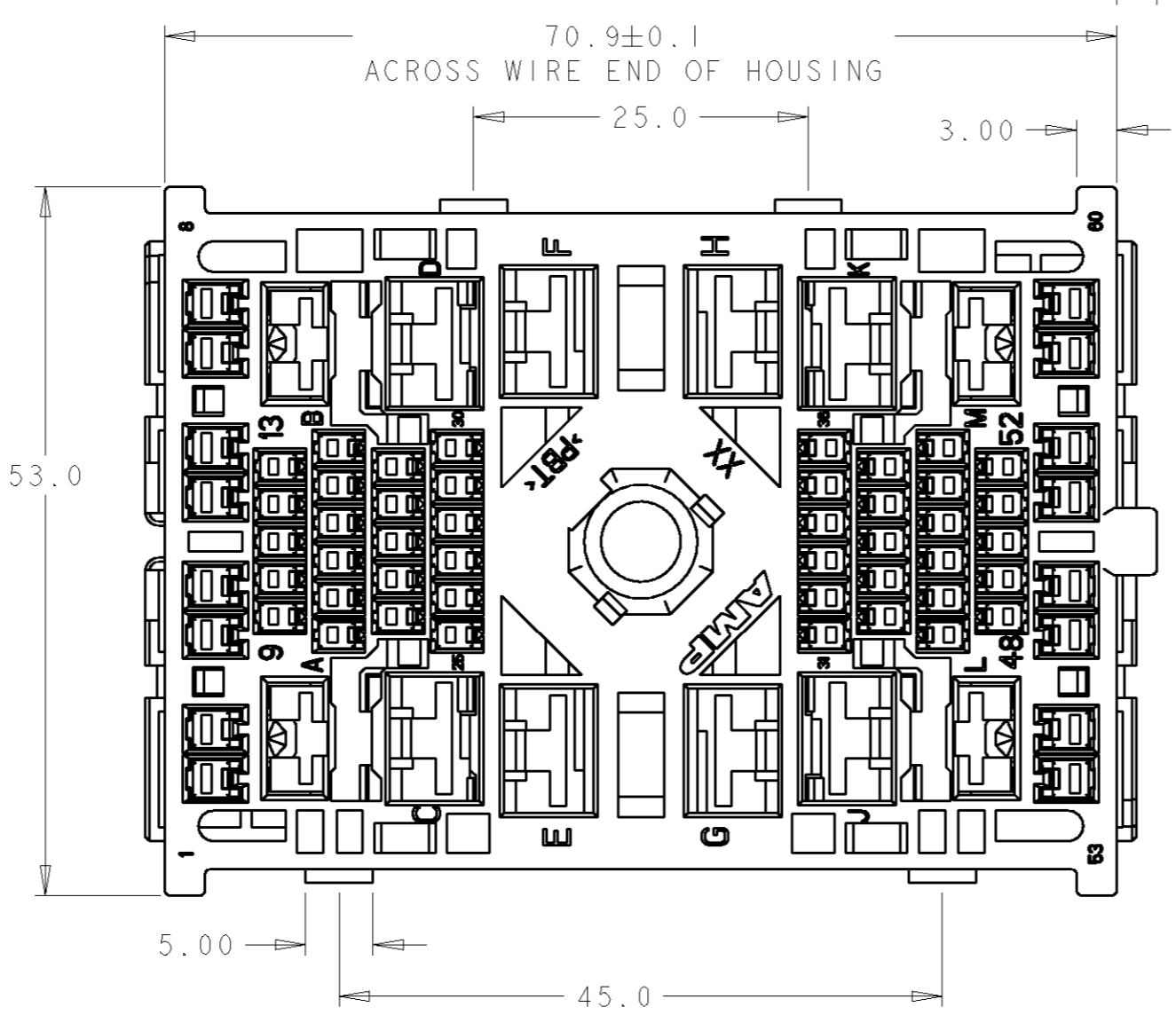
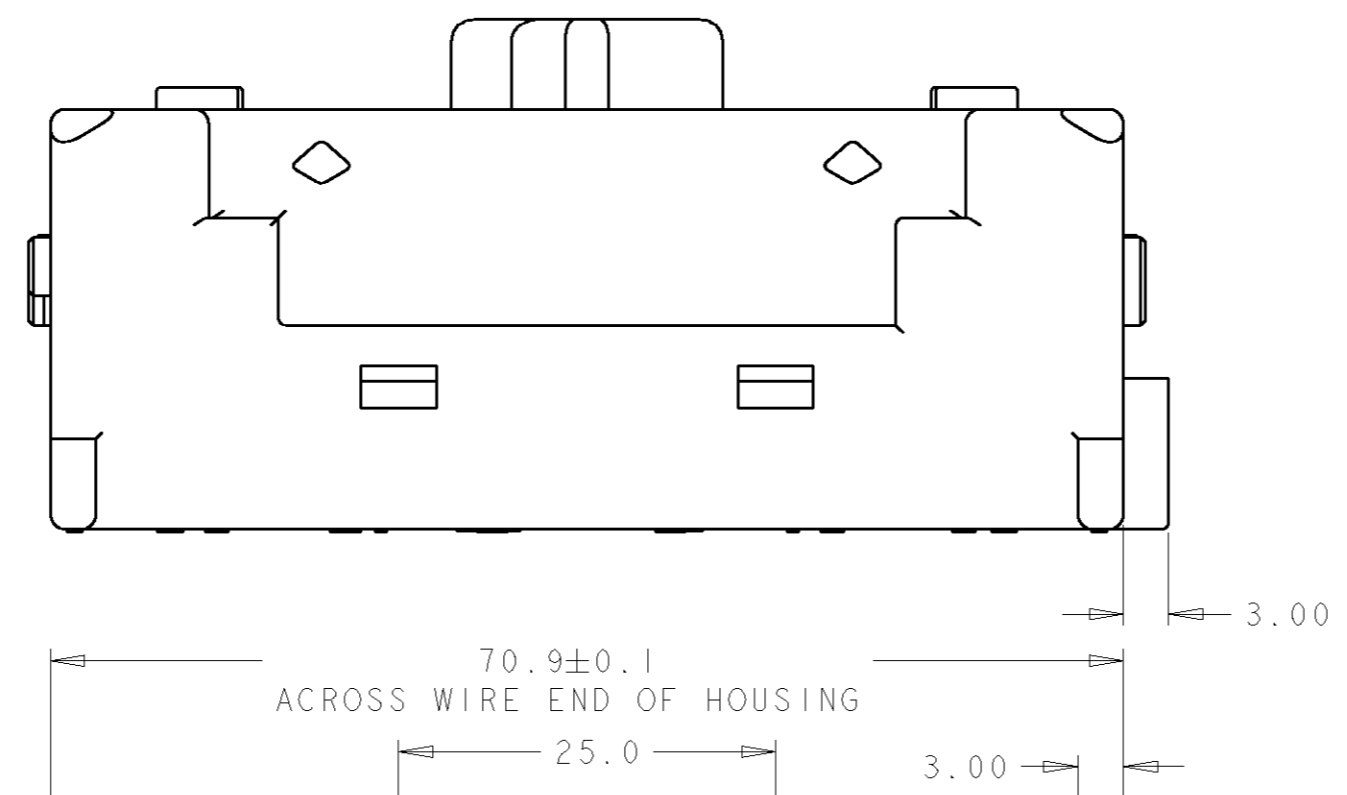
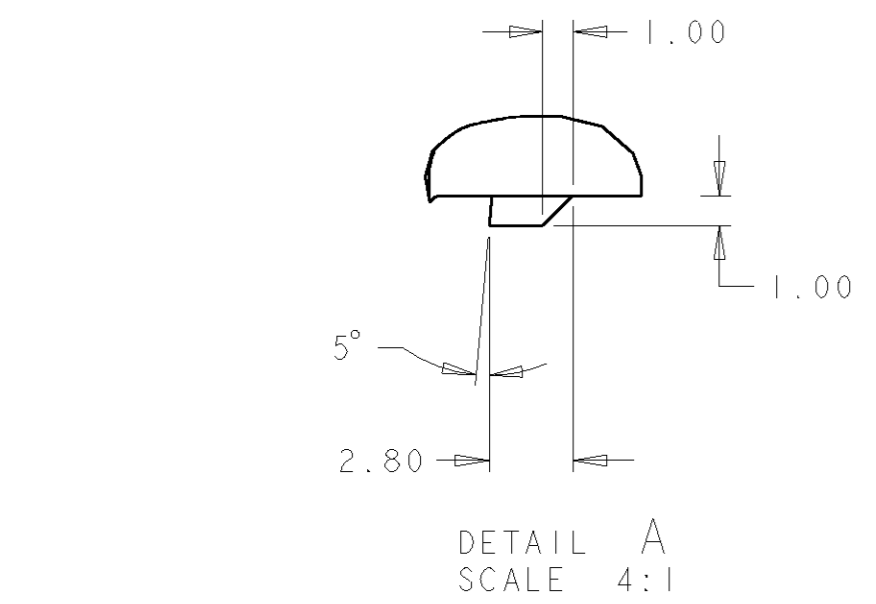
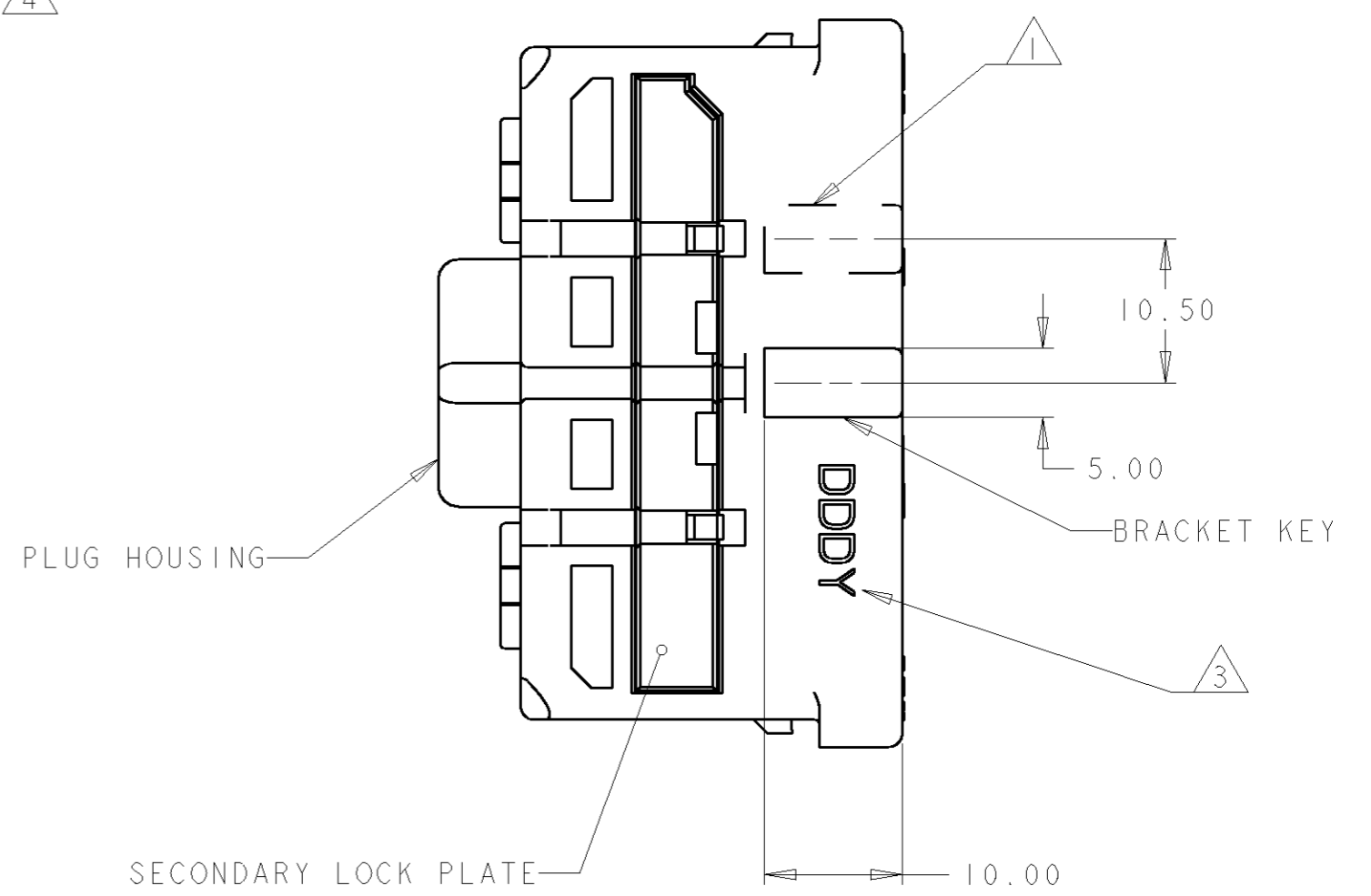
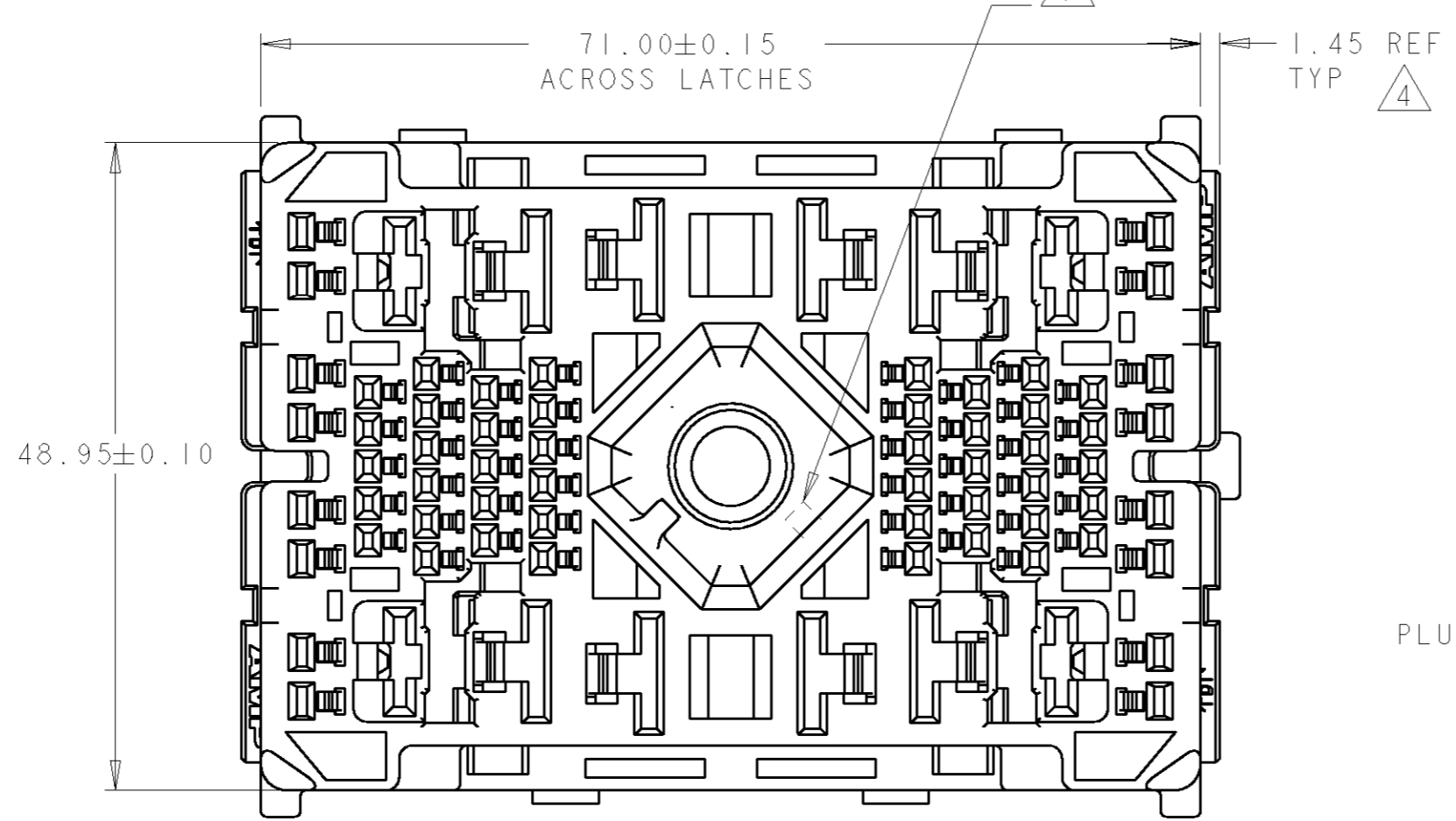
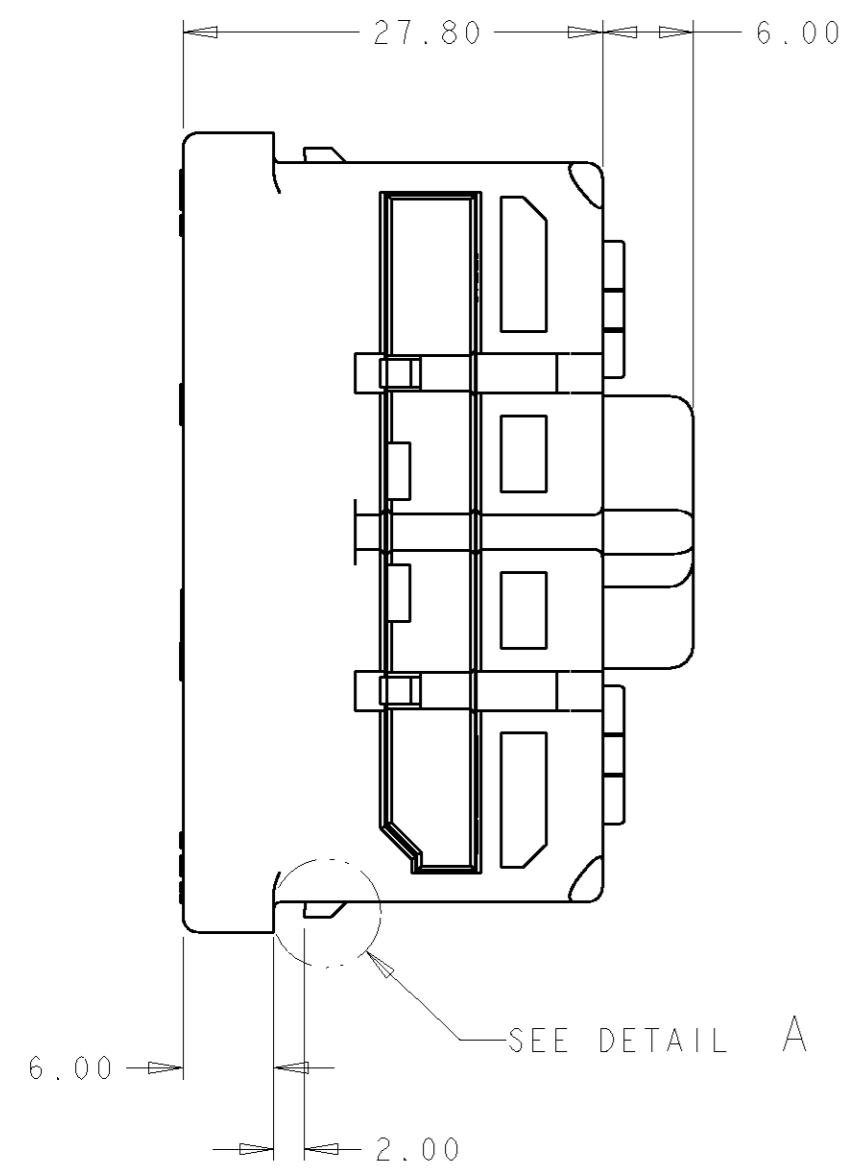


THIS DRAWING IS UNPUBLISHED. RELEASED FOR PUBLICATION
 BY AMP INCORPORATED. ALL RIGHTS RESERVED.

LOC	DIST	REVISIONS			
P	LTR	DESCRIPTION	DATE	DWN	APVD
FX	63	C	REV PER ECN 0K80-0138-00	20JUN2000	JRB GEM



- 1 POSITION OF BRACKET KEY & MATING KEYWAY FOR -2
- 2 POLYESTER PBT, COLOR PER TABLE BELOW
- 3 DATE CODE (3 DIGIT JULIAN DAY AND LAST DIGIT OF THE YEAR) TO BE PERMANENTLY APPLIED TO CONNECTOR, IN APPROX AREA SHOWN, ON EITHER END
- 4 SECONDARY LOCK PLATES ARE LATCHED POSITIVELY TO THE HOUSING IN THE STAGED POSITION, AS SHOWN.

▲	BLACK	638007-2
AS SHOWN	GREY	638007-1
KEYING	COLOR	PART NO.

<small>THIS DRAWING IS A CONTROLLED DOCUMENT FOR AMP INCORPORATED. IT IS SUBJECT TO CHANGE AND THE CONTROLLING ENGINEERING ORGANIZATION SHOULD BE CONTACTED FOR THE LATEST REVISION.</small>		DWN 10/7/97 RUSTY WORTHINGTON CHK 10/7/97 M. SHORE APVD 10/7/97 MARK SHORE	AMP AMP Incorporated Harrisburg, PA 17105-3608
DIMENSIONS: mm 	TOLERANCES UNLESS OTHERWISE SPECIFIED: 0 PLC ±.2 1 PLC ±.1 2 PLC ±.1 3 PLC ±.1 4 PLC ±.1 ANGLES ±1 FINISH -	NAME PLUG ASSEMBLY, 72 POSITION SELF ALIGNING INTER CONNECT	SIZE A2
MATERIAL	▲2	CAGE CODE 00779	DRAWING NO 638007
CUSTOMER DRAWING		SCALE 2:1	SHEET 1 OF 1 REV C

单击下面可查看定价，库存，交付和生命周期等信息

[>>TE Connectivity\(泰科\)](#)