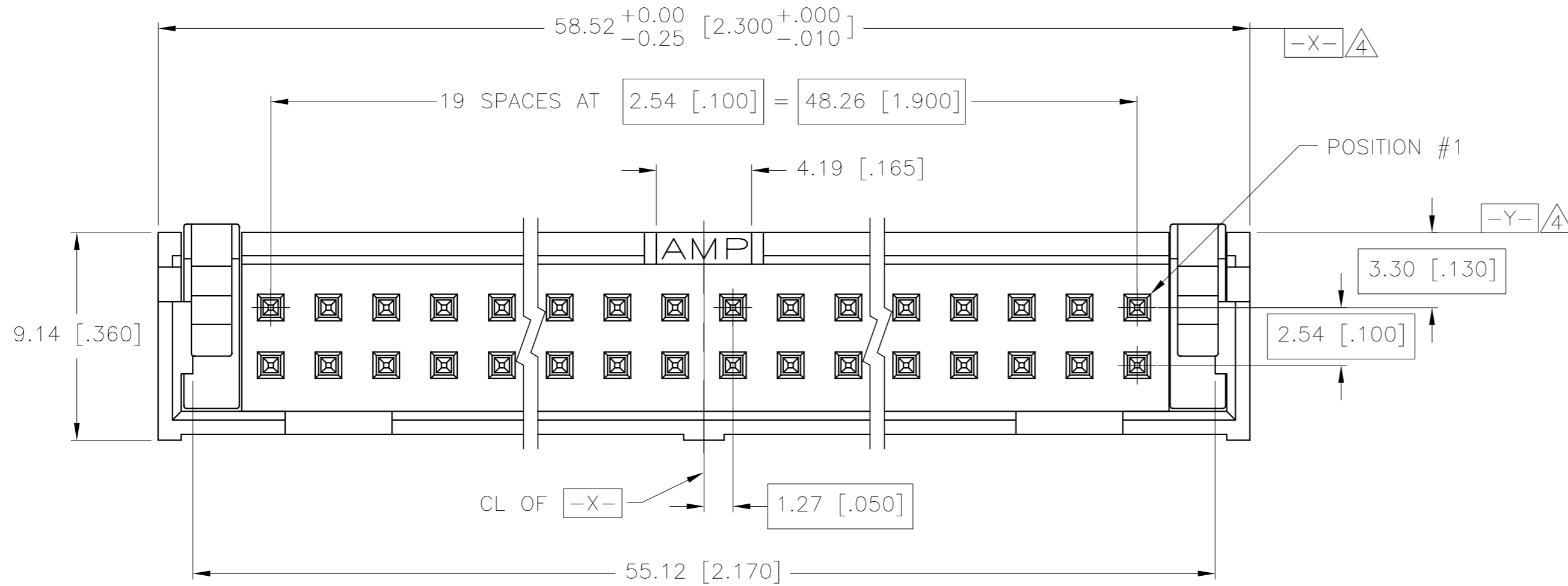
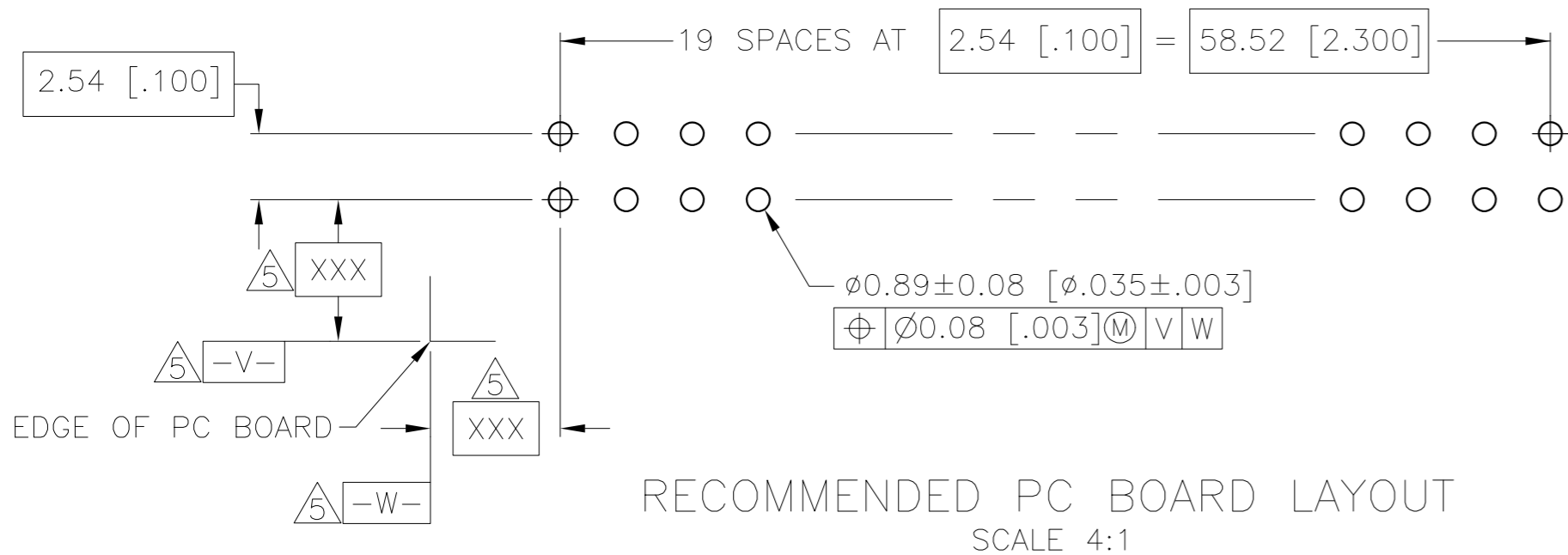
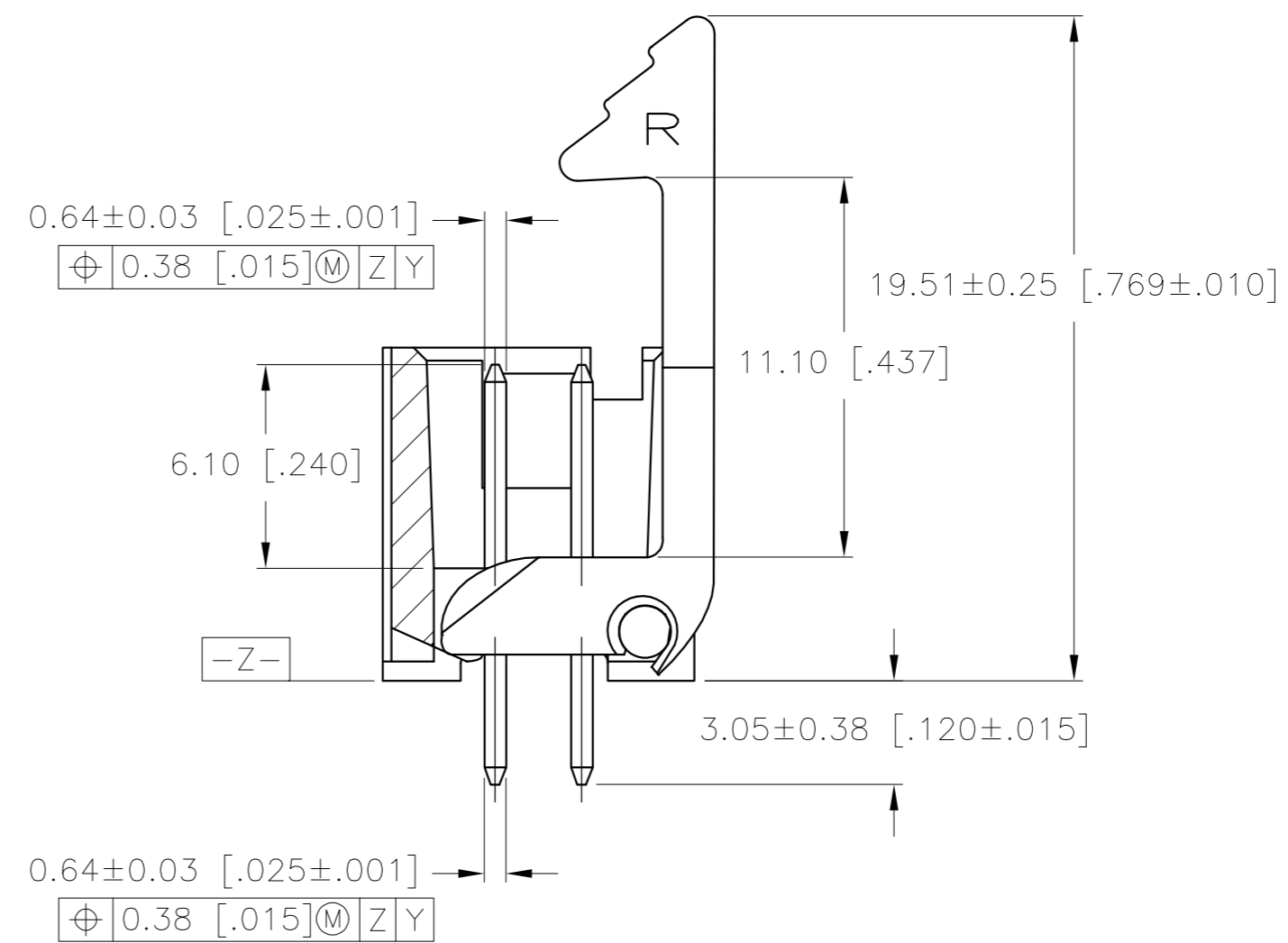
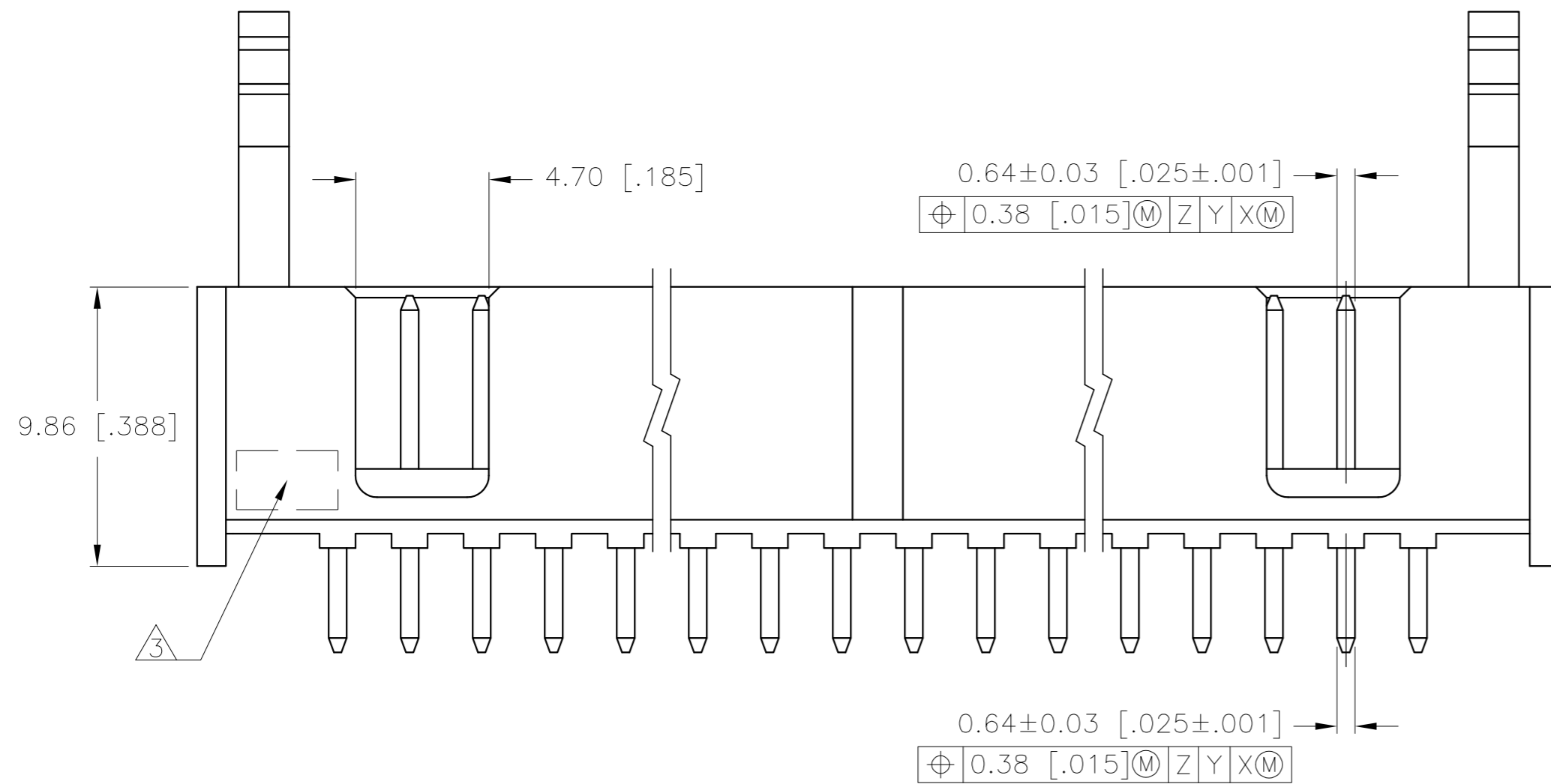


THIS DRAWING IS UNPUBLISHED. RELEASED FOR PUBLICATION
 © COPYRIGHT BY TYCO ELECTRONICS CORPORATION. ALL RIGHTS RESERVED.

LOC		DIST		REVISIONS			
GP	00	P	LTR	DESCRIPTION	DATE	DWN	APVD
		E		REVISED PER ECO-08-005380	10JUN2008	ZMR	SLB



- ① HOUSING: GLASS FILLED NYLON, 94V-0 RATED, COLOR BLACK. POSTS: BRASS.
- ② POSTS: GOLD FLASH OVER PALLADIUM-NICKEL PLATE, .000030 MIN TOTAL ON THE MATING SURFACES, .000100 MIN TIN LEAD PLATE ON THE SOLDER TAILS, .000050 MIN NICKEL UNDERPLATE ON THE ENTIRE POST.
OR
.000030 MIN GOLD PLATE ON THE MATING SURFACES, .000100 MIN TIN-LEAD PLATE ON THE SOLDER-TAILS, .000050 MIN NICKEL UNDERPLATE ON THE ENTIRE POST.
- ③ OPTIONAL DATE CODE LOCATED IN AREA INDICATED.
- ④ DATUMS X & Y APPLY AT THE INTERSECTION OF HOUSING AND POSTS.
- ⑤ DATUMS AND BASIC DIMENSIONS TO BE ESTABLISHED BY CUSTOMER.
- 6. POSTS OMITTED FROM POSITIONS 27, 30-35 & 37-40.



40	1658196-1
NO OF POS	PART NUMBER

THIS DRAWING IS A CONTROLLED DOCUMENT.		DWN J.GERACE 05FEB04	Tyco Electronics Corporation Harrisburg, PA 17105-3608
DIMENSIONS: mm [INCHES]		CHK S.BOLASH 05FEB04	
TOLERANCES UNLESS OTHERWISE SPECIFIED:		APVD M.WALMSLEY 05FEB04	
0 PLC ± - 1 PLC ± - 2 PLC ± 0.13[.005] 3 PLC ± - 4 PLC ± - ANGLES ± - FINISH		NAME PRODUCT SPEC APPLICATION SPEC 108-40018	
MATERIAL	FINISH	WEIGHT	SIZE A2 CAGE CODE 00779 DRAWING NO C=1658196 RESTRICTED TO -
CUSTOMER DRAWING		SCALE 5:1	SHEET 1 OF 1 REV E

单击下面可查看定价，库存，交付和生命周期等信息

[>>TE Connectivity\(泰科\)](#)