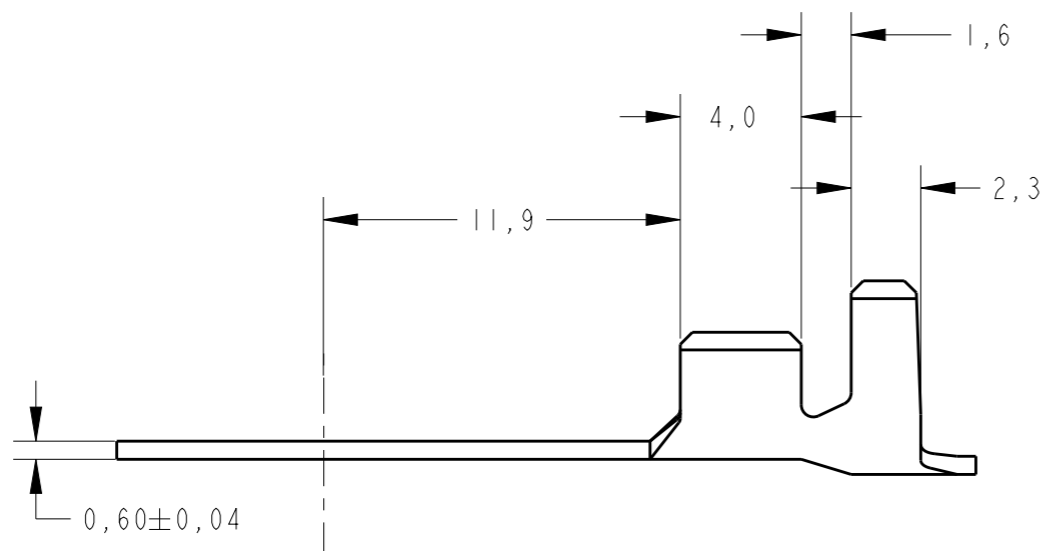
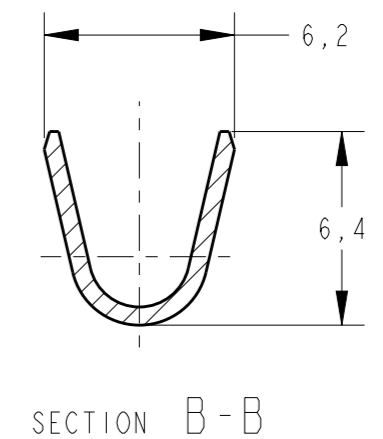
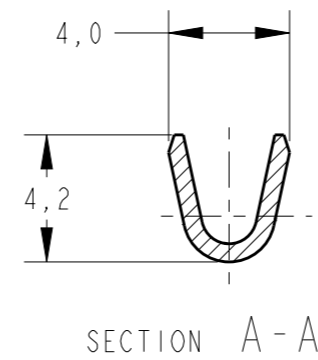
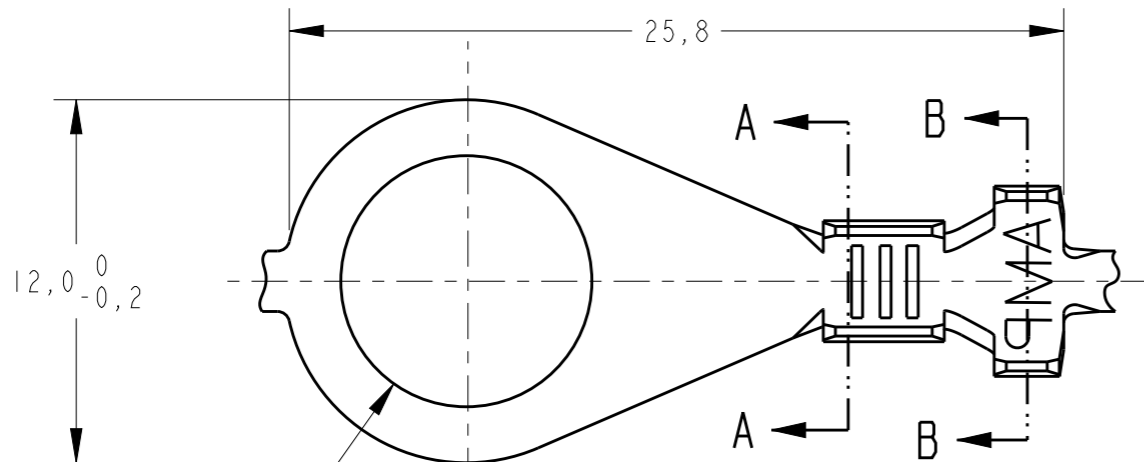


THIS DRAWING IS UNPUBLISHED. RELEASED FOR PUBLICATION 20
© COPYRIGHT 20 BY - ALL RIGHTS RESERVED.

LOC	DIST	REVISIONS			
P	LTR	DESCRIPTION	DATE	DWN	APVD
AP	-				
	A2	CHANGE SPEC ECO-13-012612	16AUG2013	NCL	DAO
	A3	REVISED BY ECO-14-003299	26MAR2014	HC	WLS
	A4	REV. BY ECO 16-006124	10JUN2016	HC	WLS



- 1 - C.A 272
- 2 - OBSOLETE PARTS : OBSOLETE CIS STREAMLINING PER D.RENAUD/D.SINISI
- 3 - REELED WITH PAPER INTERLEAVE.

2	OBSOLETE	-	ESTANHADO	BRONZE F./PHOS.BRONZE	880651-4
2	OBSOLETE	-	-	BRONZE F./PHOS.BRONZE	880651-3
		-	ESTANHADO	LATÃO/BRASS	3 880651-2
	OBSOLETE	-	-	LATÃO/BRASS	3 880651-1
		NOTES	FINISH	MATERIAL 1	PART NUMBER

WIRE RANGE
>1,0-2,5mm²

INSUL. RANGE
Ø2,7-4,0mm.

THIS DRAWING IS A CONTROLLED DOCUMENT.		DWN M.R.Briz 17SEP98	STE TE Connectivity	
DIMENSIONS: mm		CHK P.L.Faria		
TOLERANCES UNLESS OTHERWISE SPECIFIED:		APVD H.B.Vasconcellos	NAME RING TONGUE RING TONGUE	
0 PLC ± -		PRODUCT SPEC	SIZE	
1 PLC ± 0,3		APPLICATION SPEC	CAGE CODE	DRAWING NO
2 PLC ± -		WEIGHT	00779	880651
3 PLC ± -		Customer Drawing	RESTRICTED TO	
4 PLC ± -			SCALE	SHEET
ANGLES ± -			4:1	1 OF 1
MATERIAL SEE TABLE	FINISH SEE TABLE		REV	A4

单击下面可查看定价，库存，交付和生命周期等信息

[>>TE Connectivity\(泰科\)](#)