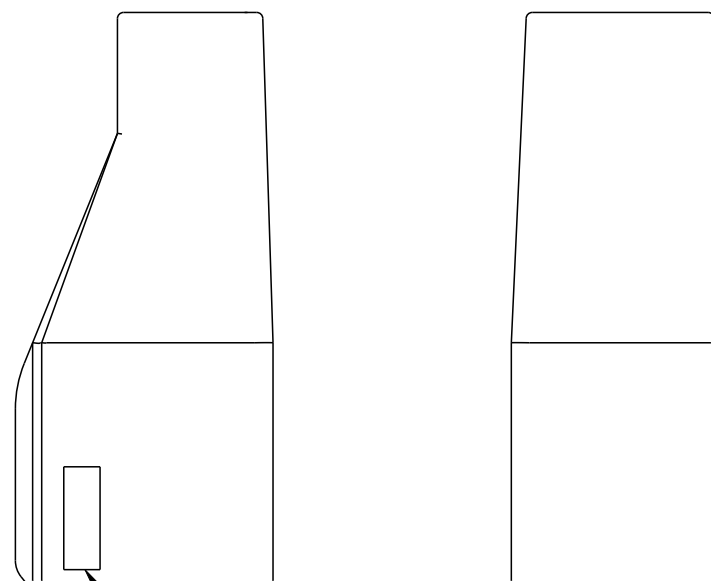
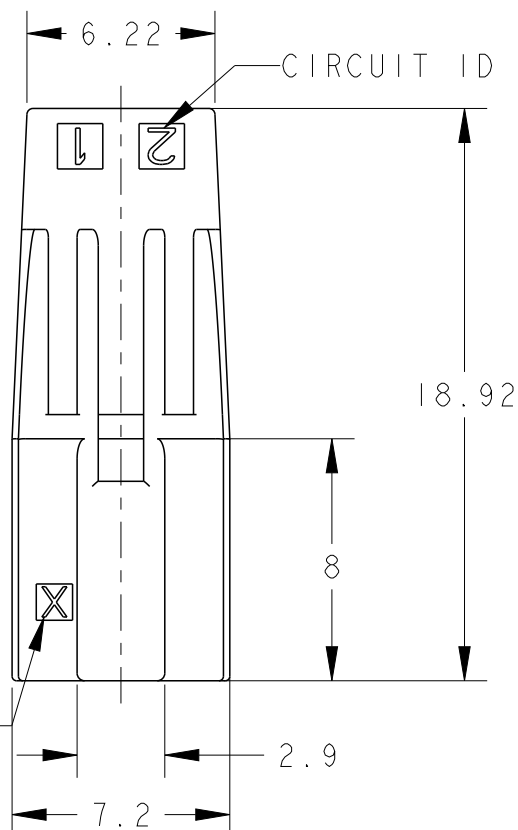
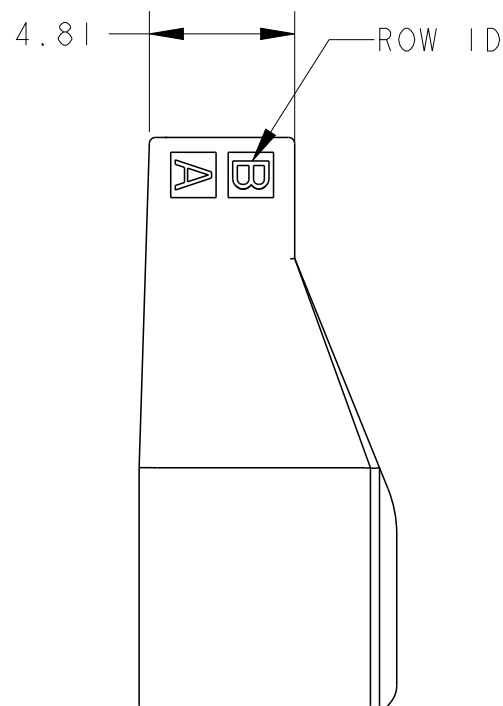
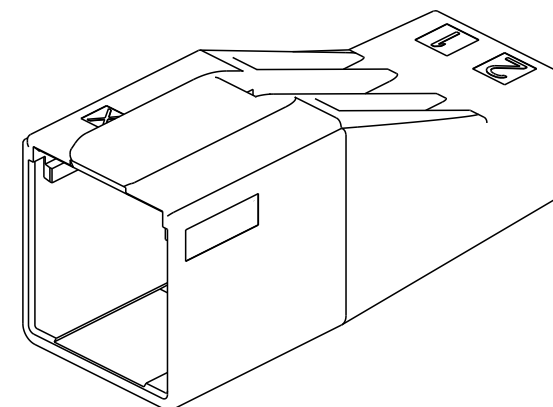
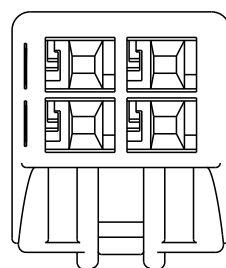


- 1. MATERIAL: GLASS FIBER THERMO PLASTIC POLYESTER (94V-0), COLOR: SEE TABLE CONTAMINATION Ø1.2 MAX
- 2. INSTRUCTION SHEET: 408-78197
- 3. CIRCUIT NUMBER IS CONSISTED ROW ID AND CIRCUIT ID
EX: A1, A2, B1, B2 REFER TO SHEET 5

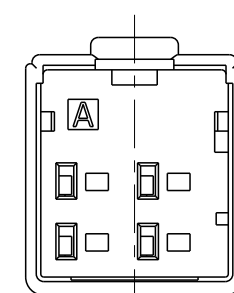
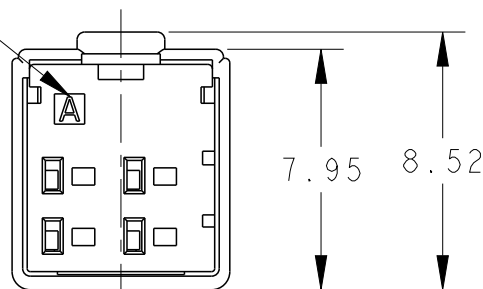
REVISIONS					
P	LTR	DESCRIPTION	DATE	DWN	APVD
	A	RELEASED	23MAR2021	Y.O	E.I
	B	REVISED	17JUN2021	Y.O	T.S
	C	REVISED	13JAN2022	Y.O	T.S



KEYING MARK

COMPANY LOGO

CAVITY MARK



2-2366600-4
Y KEY 4POSN

1-2366600-4
X KEY 4POSN

COLOR	KEYING	POSN	PART NUMBER
BLUE	Y	12	8-2366600-2
	X		7-2366600-2
NATURAL	Y	12	6-2366600-2
	X		5-2366600-2
BLACK	Y	12	4-2366600-2
	X		3-2366600-2
BLUE	Y	8	8-2366600-8
	X		7-2366600-8
NATURAL	Y	8	6-2366600-8
	X		5-2366600-8
BLACK	Y	8	2-2366600-8
	X		1-2366600-8
BLUE	Y	6	8-2366600-6
	X		7-2366600-6
NATURAL	Y	6	6-2366600-6
	X		5-2366600-6
BLACK	Y	6	2-2366600-6
	X		1-2366600-6
BLUE	Y	4	8-2366600-4
	X		7-2366600-4
NATURAL	Y	4	6-2366600-4
	X		5-2366600-4
BLACK	Y	4	2-2366600-4
	X		1-2366600-4

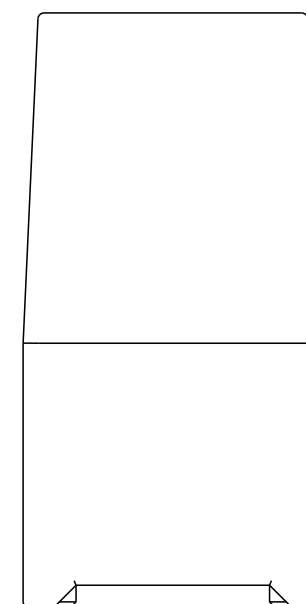
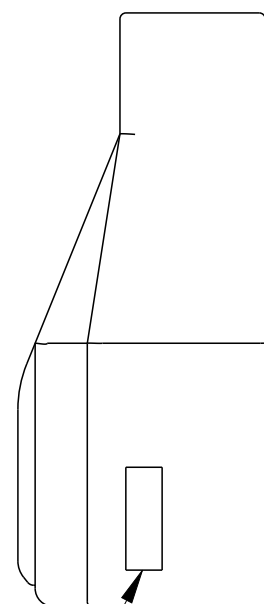
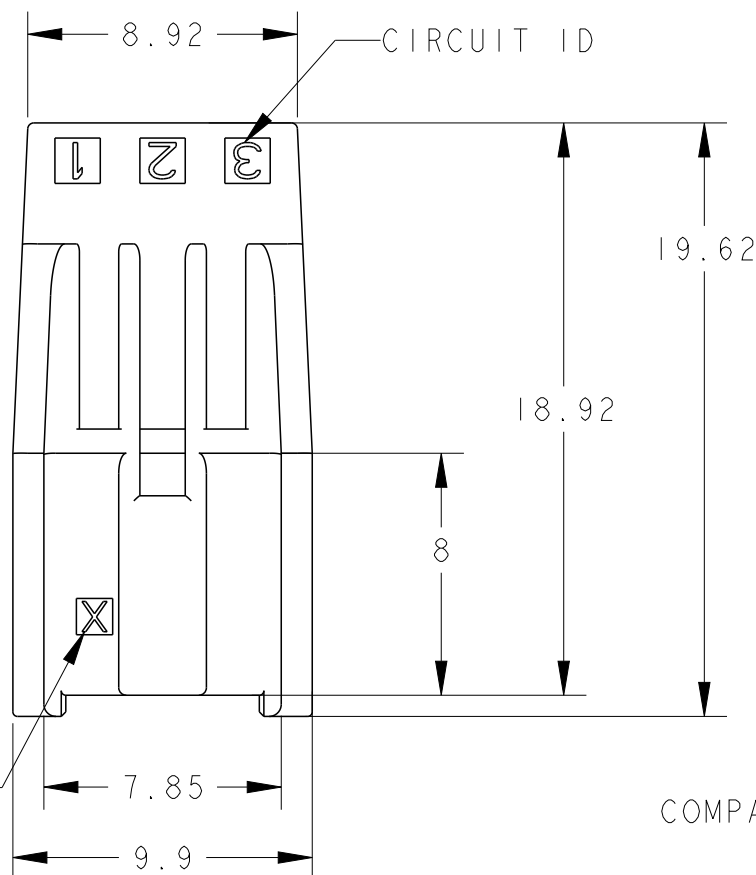
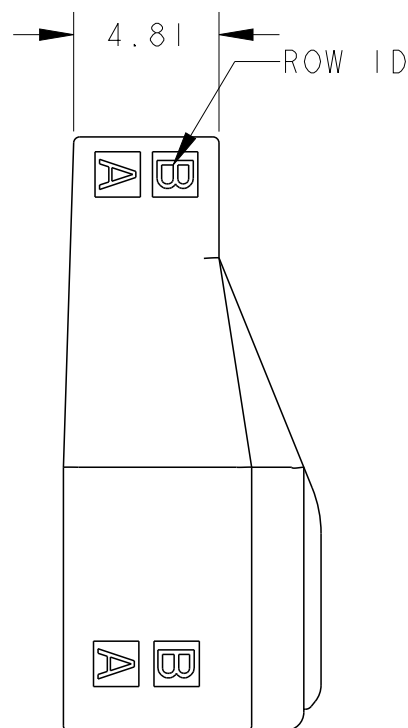
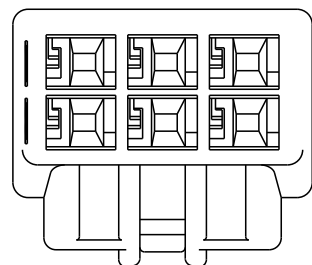
THIS DRAWING IS A CONTROLLED DOCUMENT.

DIMENSIONS: mm	TOLERANCES UNLESS OTHERWISE SPECIFIED: ±0.5, ±3°	DWN Y. OKADA 12MAY2020	
	0 PLC ±	CHK T. SHIMOYASU 12MAY2020	
	1 PLC ±0.5	APVD E. IKEMATSU 12MAY2020	
	2 PLC ±0.13	PRODUCT SPEC 108-140257	
MATERIAL SEE NOTE	FINISH -	APPLICATION SPEC -	<p>NAME TAB HOUSING, D1000 SLIM, DYNAMIC</p> <p>SIZE CAGE CODE DRAWING NO RESTRICTED TO A300779 C-2366600 -</p>
		WEIGHT -	SCALE 4:1 SHEET 1 OF 5 REV C

CUSTOMER DRAWING

REVISIONS

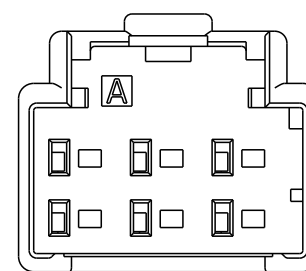
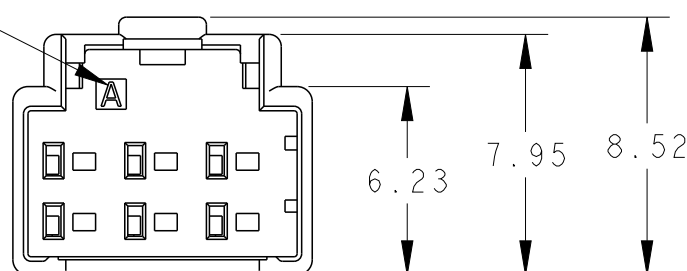
P	LTR	DESCRIPTION	DATE	DWN	APVD
	-	SEE SHEET 1	-	-	-



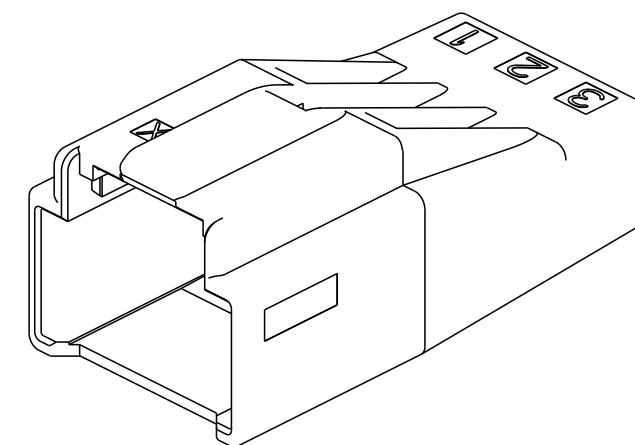
KEYING MARK

COMPANY LOGO


CAVITY MARK



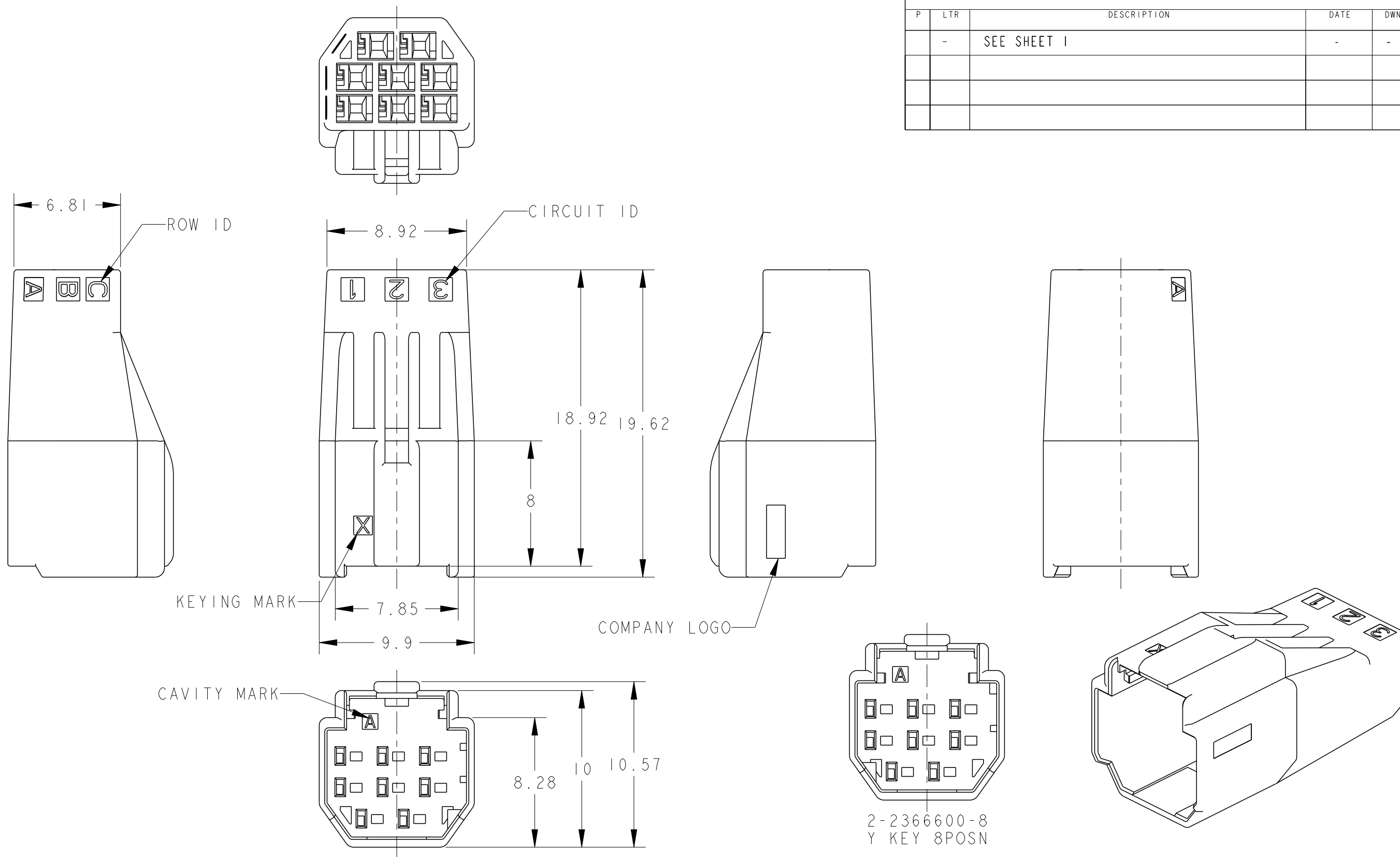
2-2366600-6
Y KEY 6 POSN



1-2366600-6
X KEY 6 POSN

THIS DRAWING IS A CONTROLLED DOCUMENT.		DWN Y. OKADA 12MAY2020	 TE Connectivity		
DIMENSIONS: mm		CHK T. SHIMOYASU 12MAY2020			
TOLERANCES UNLESS OTHERWISE SPECIFIED: ±0.5, ±3°		APVD E. IKEMATSU 12MAY2020	NAME TAB HOUSING, D1000 SLIM, DYNAMIC		
0-PLC ± 1-PLC ±0.5 2-PLC ±0.13 3-PLC ±0.013 4-PLC ±0.0001 ANGLES ±		PRODUCT SPEC 108-140257	RESTRICTED TO		
MATERIAL SEE NOTE		APPLICATION SPEC -	SIZE A3	CAGE CODE 00779	DRAWING NO C-2366600
FINISH -		WEIGHT -	SCALE 4:1 SHEET 2 OF 5 REV C		
-		CUSTOMER DRAWING			

P	LTR	DESCRIPTION	DATE	DWN	APVD
	-	SEE SHEET 1	-	-	-



1-2366600-8
X KEY 8 POSN

2-2366600-8
Y KEY 8 POSN

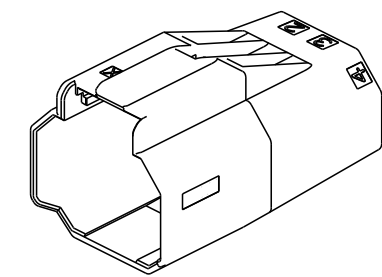
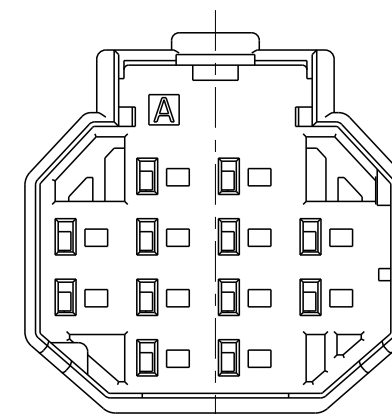
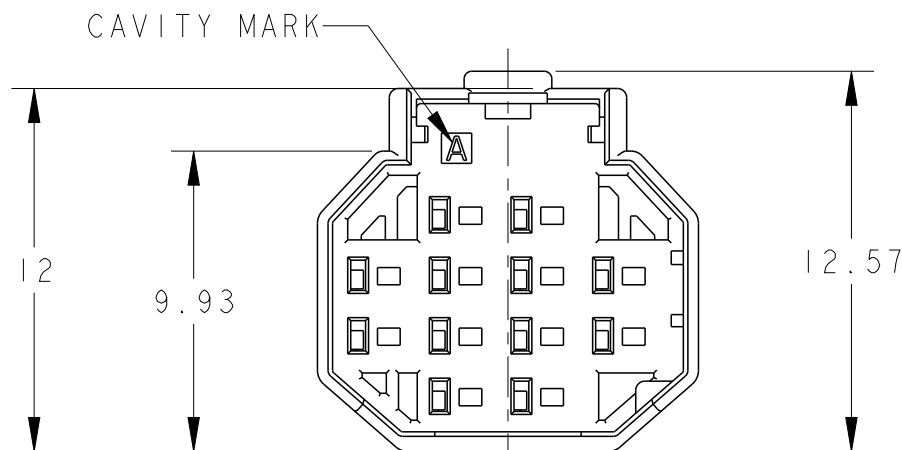
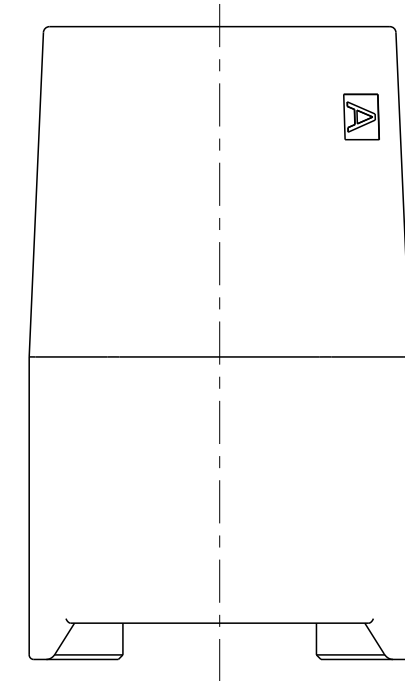
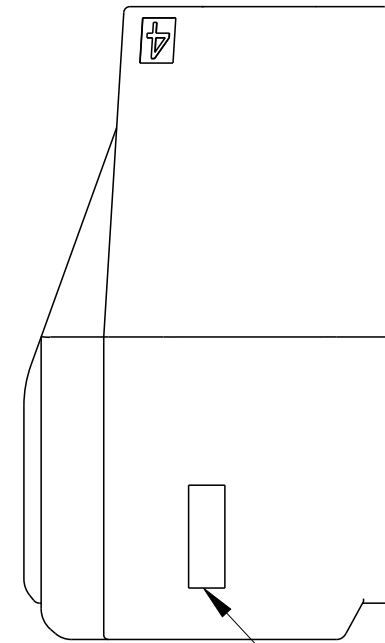
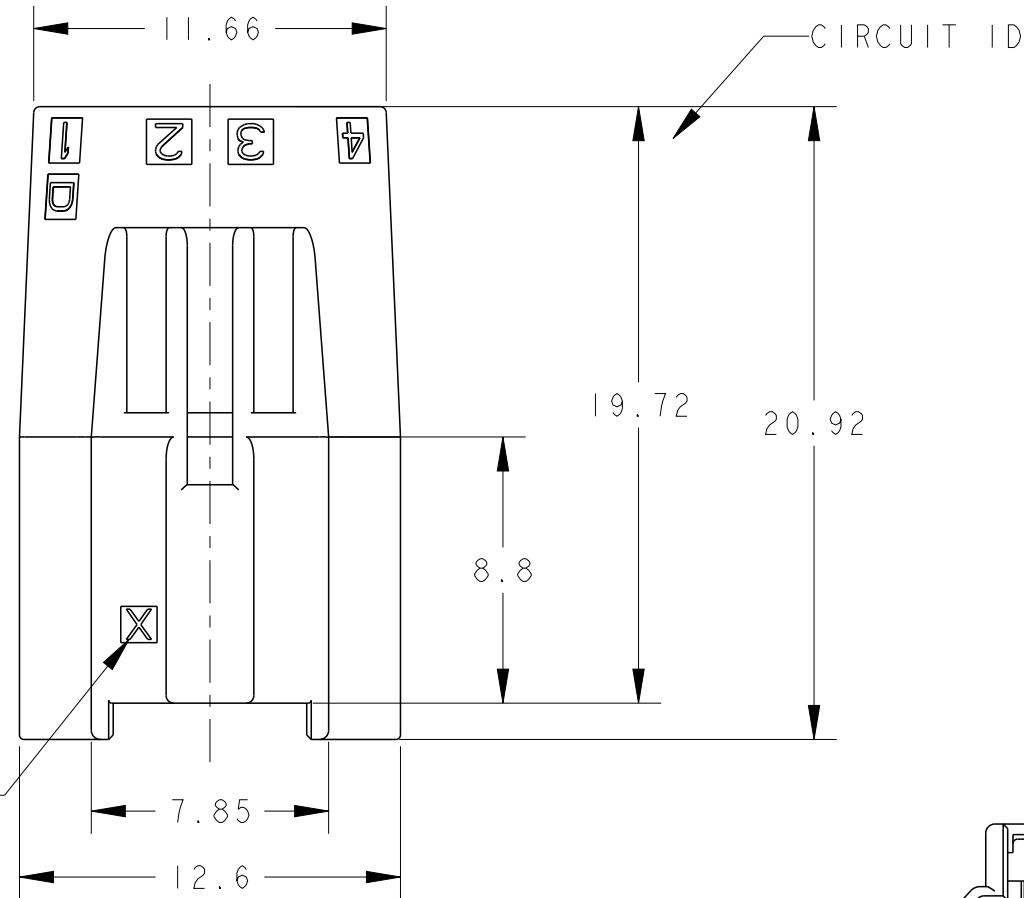
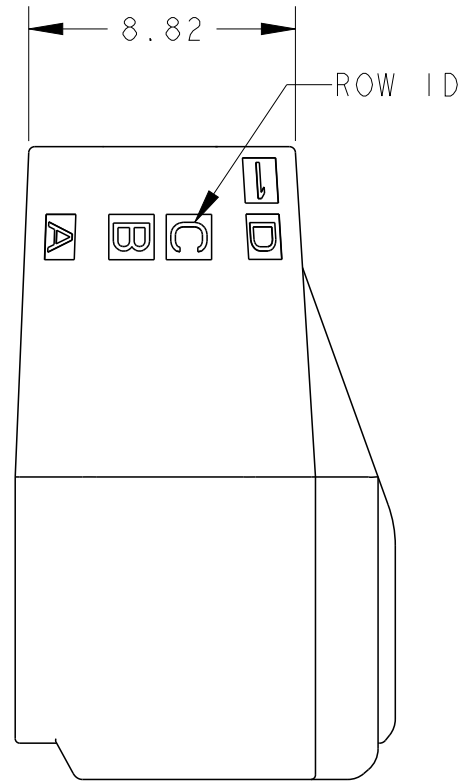
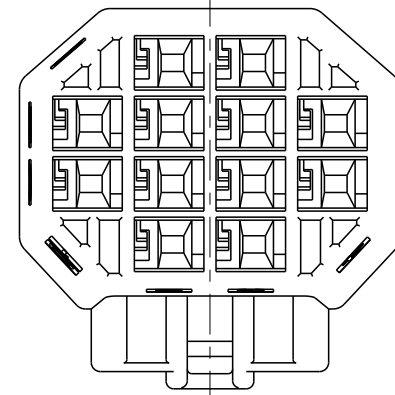
THIS DRAWING IS A CONTROLLED DOCUMENT.

DIMENSIONS: mm	TOLERANCES UNLESS OTHERWISE SPECIFIED: ± 0.5 , $\pm 3^\circ$
	0-PLC \pm
	1-PLC ± 0.5
	2-PLC ± 0.13
	3-PLC ± 0.013
	4-PLC ± 0.0001
	ANGLES \pm
MATERIAL SEE NOTE	FINISH -

DWN Y. OKADA	12MAY2020
CHK T. SHIMOYASU	12MAY2020
APVD E. IKEMATSU	12MAY2020
PRODUCT SPEC	108-140257
APPLICATION SPEC	-
WEIGHT	-
CUSTOMER DRAWING	

TE Connectivity		NAME TAB HOUSING, D1000 SLIM, DYNAMIC	
		SIZE A3	CAGE CODE 00779
DRAWING NO C-2366600		RESTRICTED TO -	
SCALE 4:1		SHEET 3 OF 5	REV C


P	LTR	DESCRIPTION	DATE	DWN	APVD
-	-	SEE SHEET 1	-	-	-



SCALE 2:1

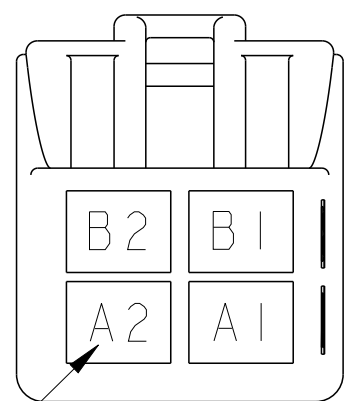
4-2366600-2
Y KEY 12POSN

3-2366600-2
X KEY 12POSN

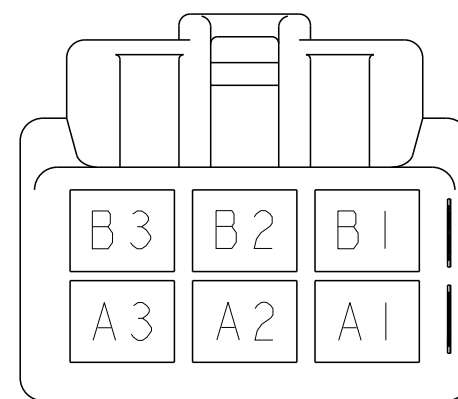
THIS DRAWING IS A CONTROLLED DOCUMENT.		DWN Y. OKADA 12MAY2020	 TE Connectivity	NAME TAB HOUSING, D1000 SLIM, DYNAMIC	
DIMENSIONS: mm		CHK T. SHIMOYASU 12MAY2020		PRODUCT SPEC 108-140257	
TOLERANCES UNLESS OTHERWISE SPECIFIED: ±0.5, ±3°		APVD E. IKEMATSU 12MAY2020		APPLICATION SPEC -	
0 PLC ± 1 PLC ±0.5 2 PLC ±0.13 3 PLC ±0.013 4 PLC ±0.0001 ANGLES ± FINISH -		WEIGHT -		SIZE A3	CAGE CODE 00779
MATERIAL SEE NOTE		CUSTOMER DRAWING		RESTRICTED TO -	SCALE 4:1
			SHEET 4 OF 5		REV C

REVISIONS

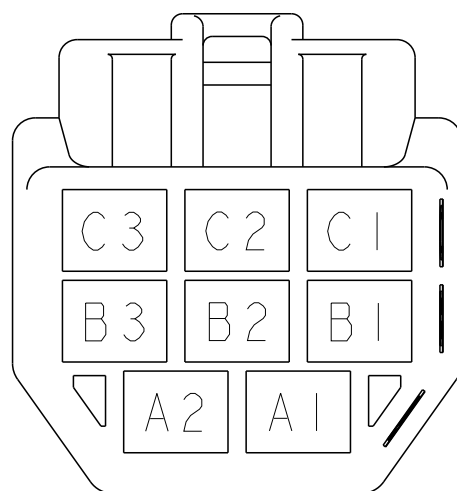
P	LTR	DESCRIPTION	DATE	DWN	APVD
	-	SEE SHEET 1	-	-	-



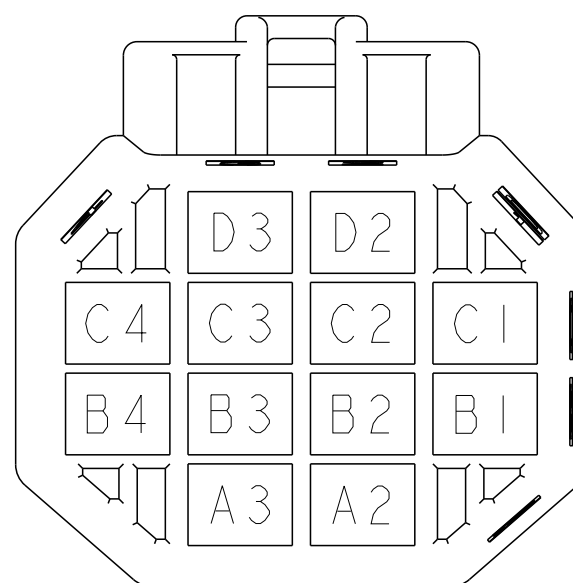
CIRCUIT NUMBER 4POSN



6POSN



8POSN



12POSN

THIS DRAWING IS A CONTROLLED DOCUMENT.		DWN Y. OKADA 12MAY2020			
DIMENSIONS: mm		CHK T. SHIMOYASU 12MAY2020			
TOLERANCES UNLESS OTHERWISE SPECIFIED: ±0.5, ±3°		APVD E. IKEMATSU 12MAY2020	NAME TAB HOUSING, D1000 SLIM, DYNAMIC		
		PRODUCT SPEC 108-140257	RESTRICTED TO		
MATERIAL SEE NOTE		APPLICATION SPEC -	SIZE A3	CAGE CODE 00779	DRAWING NO C-2366600
FINISH -		WEIGHT -	SCALE 6:1		
-		CUSTOMER DRAWING		SHEET 5 OF 5	REV C

单击下面可查看定价，库存，交付和生命周期等信息

[>>TE Connectivity\(泰科\)](#)