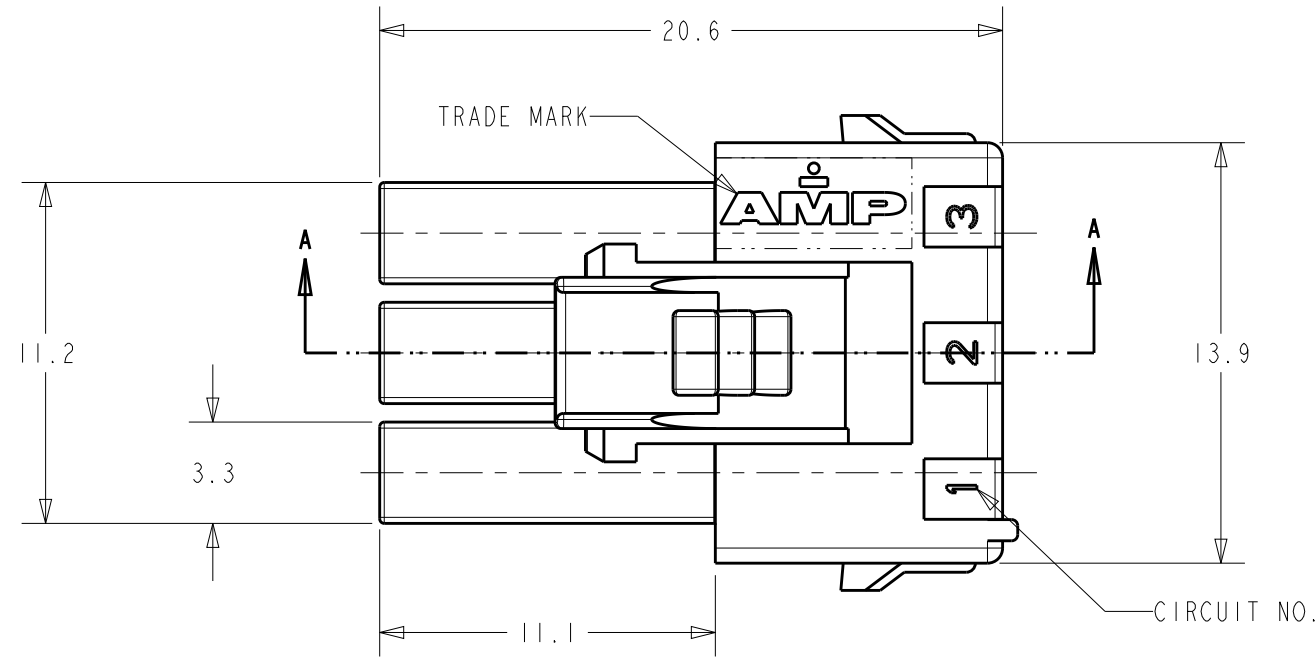


THIS DRAWING IS UNPUBLISHED. RELEASED FOR PUBLICATION 20

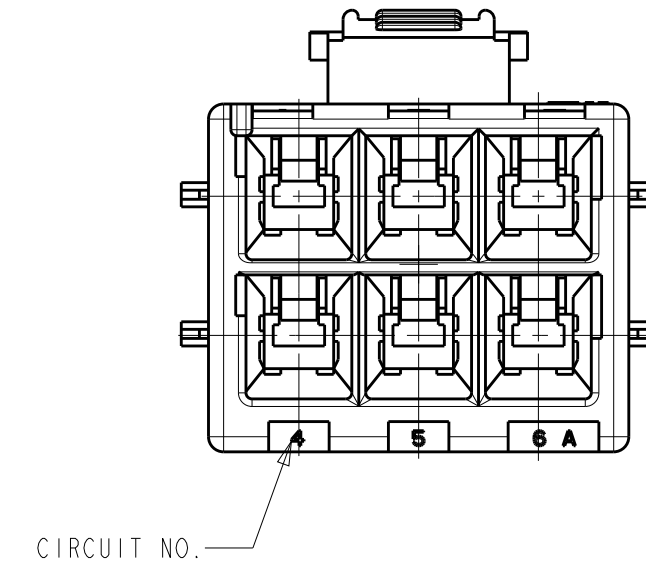
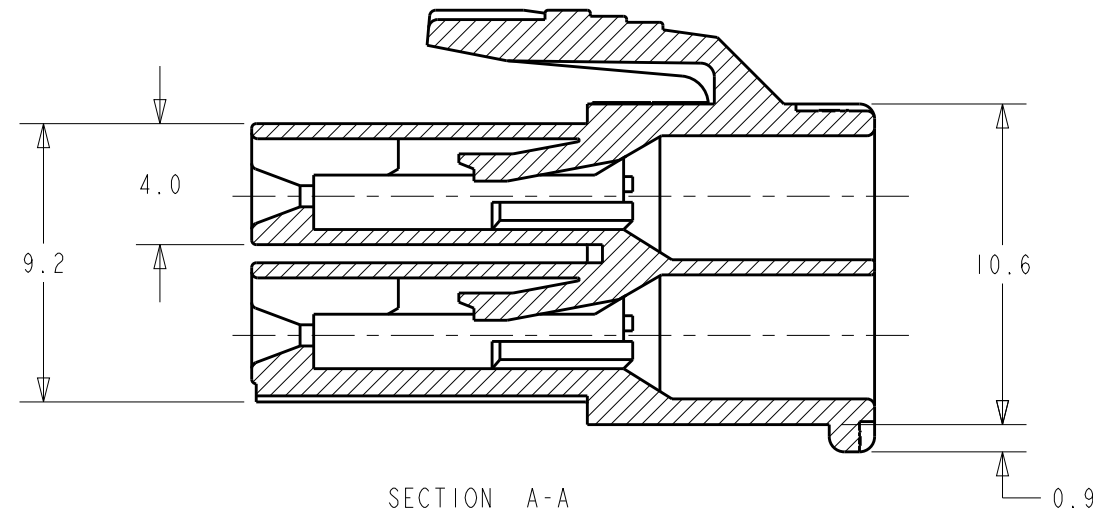
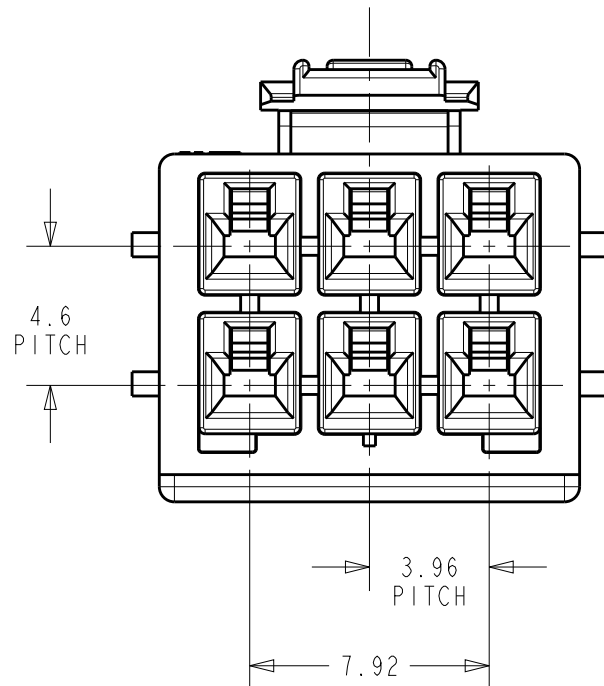
© COPYRIGHT 2018 BY - TE CONNECTIVITY ALL RIGHTS RESERVED.

REVISIONS

P	LTR	DESCRIPTION	DATE	DWN	APVD
D		REVISED PER ECR-19-009721	01JUL2019	M.G	D.Z



- 1 THIS HOUSING ACCEPTS RECEPTACLE TERMINAL:  
- REC CONTACT: 177915-□ (AWG #16-#20)  
: 177914-□ (AWG #22-#26)
- 2 MATING CONN. P/N  
- CAP HOUSING: 2005253-□ (FREE HANGING)  
: 368588-□ (PANEL MOUNT)  
- TAB CONTACT: 177917-□ (AWG #16-#20)  
: 177916-□ (AWG #22-#26)  
- PC BOARD MOUNT(ASS'Y): 179841-□
- 3 APPLICABLE DOUBLE LOCK PLATE: 177919-1  
\* IT SHOULD BE USED CERTAINLY WHEN CABLE ASS'Y
- 4 GENERAL TOLERANCES: ±0.3
- 5 MATERIAL: PA66, UL94 V-0.  
COMPLY WITH GLOW WIRE REQUIREMENT FOR PARTS OF  
NON-METALLIC MATERIALSUPPORTING A CURRENT-CARRYING  
CONNECTION DETAILED IN IEC 60335-1, SECTION 30(GWT)



COLOR	PART NUMBER
BLUE	368576-6
YELLOW	368576-4
RED	368576-2
NATURAL	368576-1

THIS DRAWING IS A CONTROLLED DOCUMENT.		DWN SC KIM		<b>TE Connectivity</b>	
DIMENSIONS: mm		CHK BW KANG			
TOLERANCES UNLESS OTHERWISE SPECIFIED:		APVD JK SONG		NAME PDL 6P PLUG 3.96mm D/R (GWT)	
0 PLC ±-		PRODUCT SPEC 108-5410		SIZE A3	
1 PLC ±-		APPLICATION SPEC 114-5175		CAGE CODE 00779	
2 PLC ±-		WEIGHT		DRAWING NO. C-368576	
3 PLC ±-		CUSTOMER DRAWING		RESTRICTED TO -	
4 PLC ±-		SCALE 4:1		SHEET 1 OF 1	
ANGLES ±-		REV D			
FINISH -					
MATERIAL 5					

单击下面可查看定价，库存，交付和生命周期等信息

[>>TE Connectivity\(泰科\)](#)