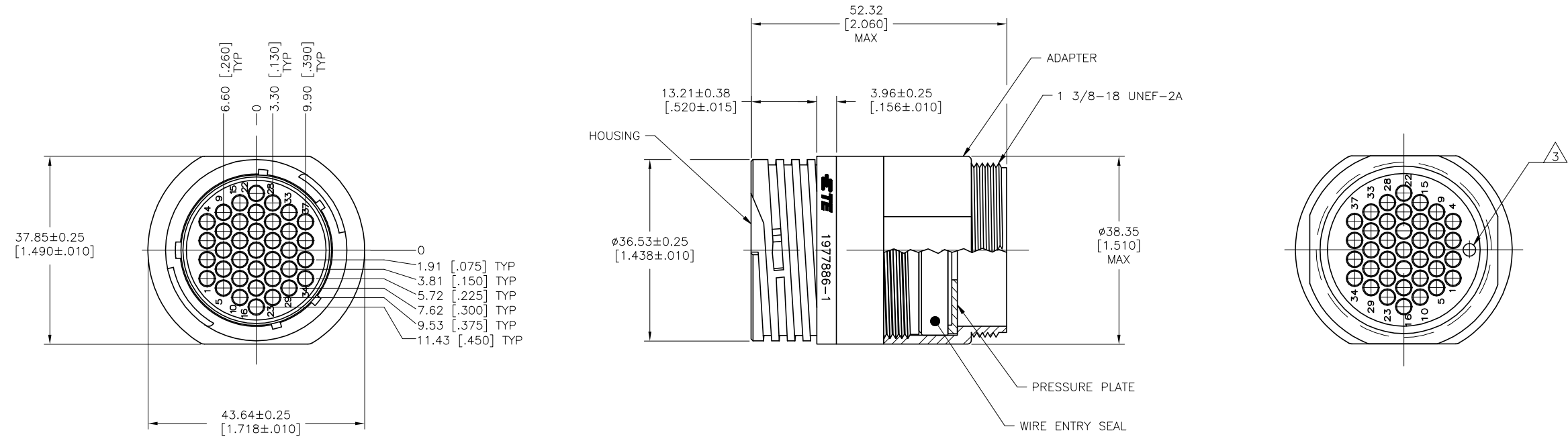


THIS DRAWING IS UNPUBLISHED. RELEASED FOR PUBLICATION  
 © COPYRIGHT - By - ALL RIGHTS RESERVED.

REVISIONS				
REV	DATE	BY	CHK	APPD
A	08NOV12	KH	MZ	
B	06AUG2019	RS	MZ	

- 1 ADAPTER AND HOUSING: NYLON, BLACK.  
 WIRE ENTRY SEAL: ELASTOMER, RED-IRON OXIDE.  
 PERIPHERAL SEAL: ELASTOMER, BLACK.
- 2 CONNECTOR WILL ACCEPT (37) MULTIMATE PIN CONTACTS.
- 3 ORIENTATION HOLE USED IN THE MANUFACTURING PROCESS ONLY.  
 THIS HOLE IS NOT INTENDED FOR WIRE INSERTION.



1977886-1  
 PART NUMBER

THIS DRAWING IS A CONTROLLED DOCUMENT.		DWN: KIRAN HOLAL 08NOV12	TE Connectivity
DIMENSIONS: mm [INCHES]		CHK: M ZITTO 08NOV12	
TOLERANCES UNLESS OTHERWISE SPECIFIED:		APPD: M ZITTO 08NOV12	NAME: CPC FREE HANGING RECEPTACLE ASSEMBLY, SERIES 1, SEALED, 23-37, STANDARD SEX, UV RESISTANT
0 PLC ± -	1 PLC ± -	PRODUCT SPEC 108-1579	SIZE: A1
2 PLC ± 0.13(.005)	3 PLC ± -	APPLICATION SPEC	CAGE CODE: 00779
4 PLC ± -	ANGLES ± -	WEIGHT: -	DRAWING NO: 1977886
MATERIAL: 1	FINISH: -	CUSTOMER DRAWING	RESTRICTED TO: -
SCALE: 2:1		SHEET: 1 OF 1	REV: B

单击下面可查看定价，库存，交付和生命周期等信息

[>>TE Connectivity\(泰科\)](#)