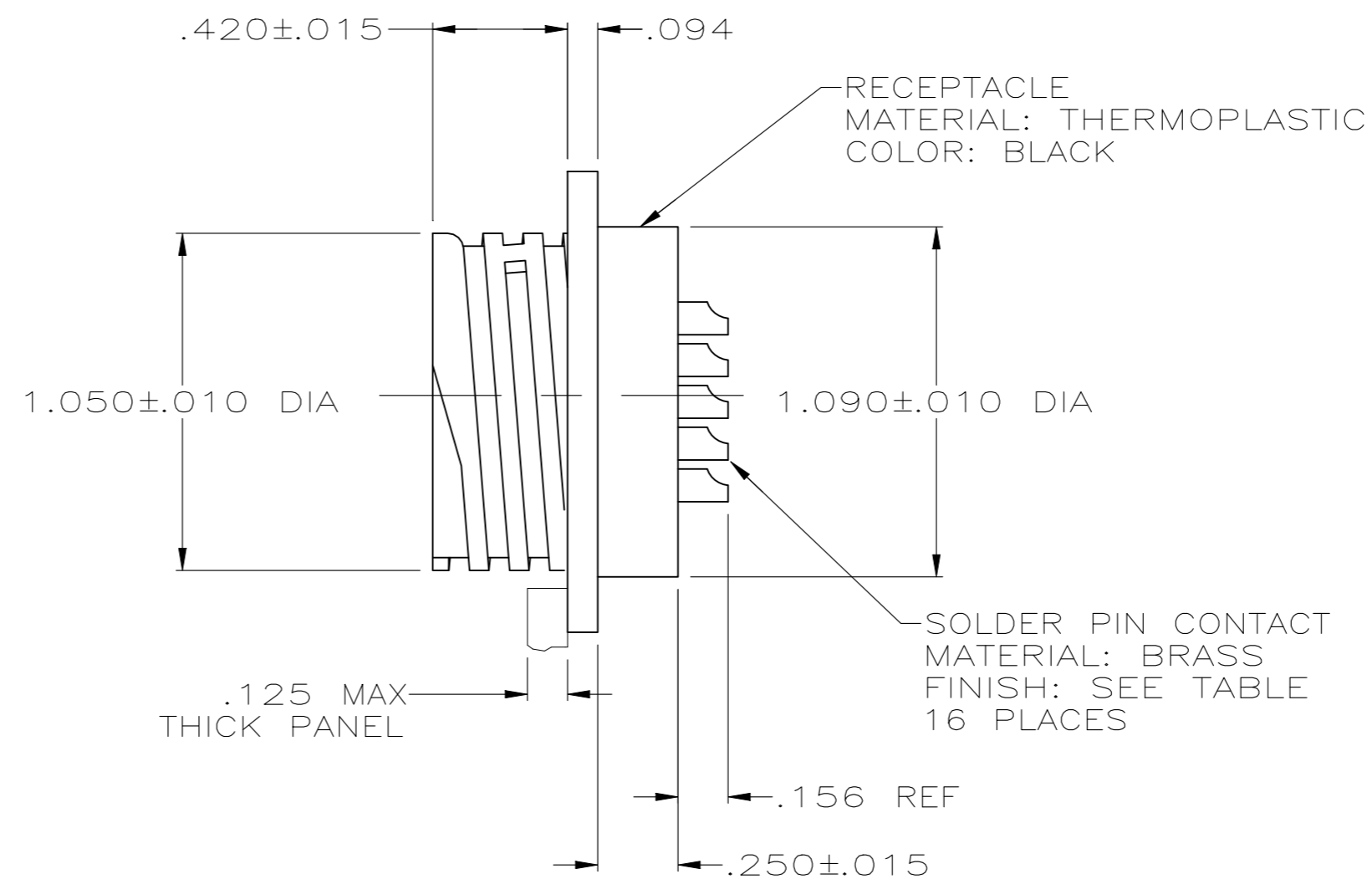
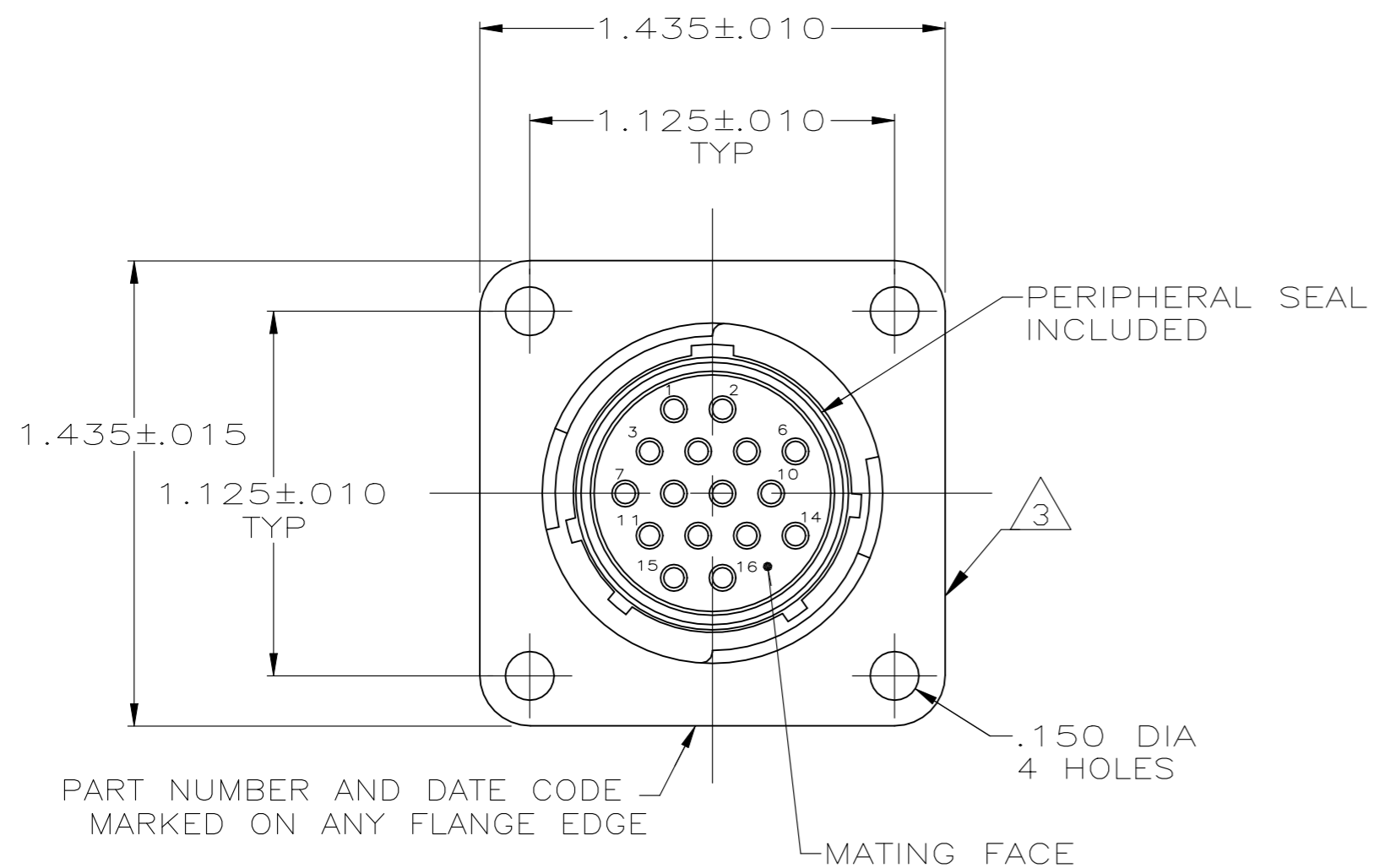


REVISIONS					
P	LTR	DESCRIPTION	DATE	DWN	APVD
E		REVISED PER ECO-21-006948	27OCT2021	RK	MZ



- ① GOLD PER MIL-G-45204 OVER NICKEL PER QQ-N-290.
- ② TIN PER MIL-T-10727 OVER COPPER PER MIL-C-14550.
- ③ TE LOGO LOCATED ON ANY FLNGE EDGE

②	206404-2
①	206404-1
CONTACT FINISH	PART NUMBER

THIS DRAWING IS A CONTROLLED DOCUMENT.		DWN	J GALLUCCI BG	5-21-91	 TE Connectivity								
DIMENSIONS: INCHES		CHK	W.G.LENKER	4-9-92									
TOLERANCES UNLESS OTHERWISE SPECIFIED:		APVD	C.ROHDE	4-9-92									
0 PLC ± - 1 PLC ± - 2 PLC ± - 3 PLC ± .005 4 PLC ± - ANGLES ± -		PRODUCT SPEC	108-10024	NAME		RECEPTACLE ASSEMBLY W/SOLDER CUP CONTACTS, STD SEX, SERIES 1, 17-16, CPC							
MATERIAL SEE CALLOUT		FINISH	SEE TABLE	WEIGHT	-	SIZE	A2	CAGE CODE	00779	DRAWING NO	C=206404	RESTRICTED TO	-
		CUSTOMER DRAWING		SCALE	2:1	SHEET	1 OF 1	REV	E				

单击下面可查看定价，库存，交付和生命周期等信息

[>>TE Connectivity\(泰科\)](#)