

THIS DRAWING IS UNPUBLISHED.

RELEASED FOR PUBLICATION

,19 .

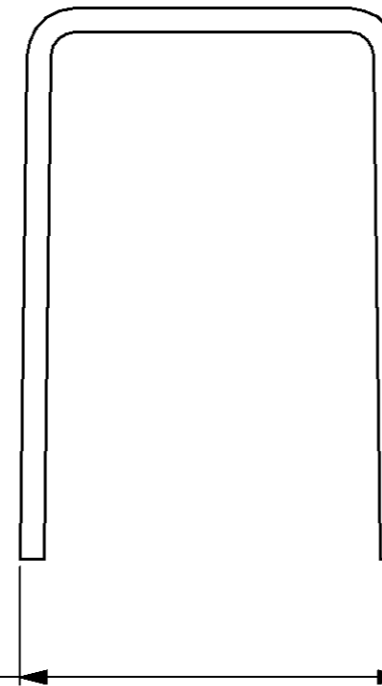
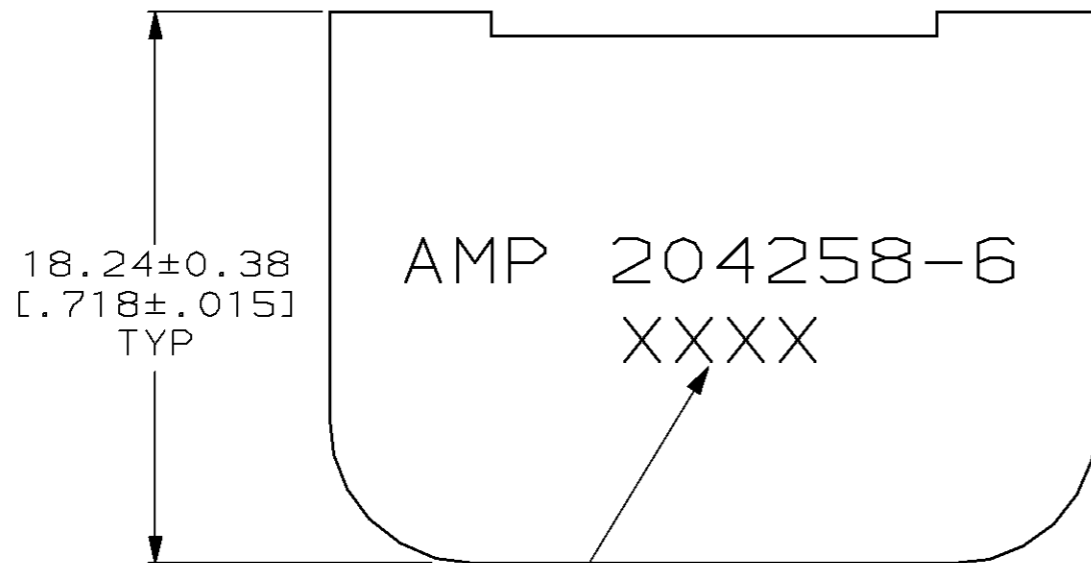
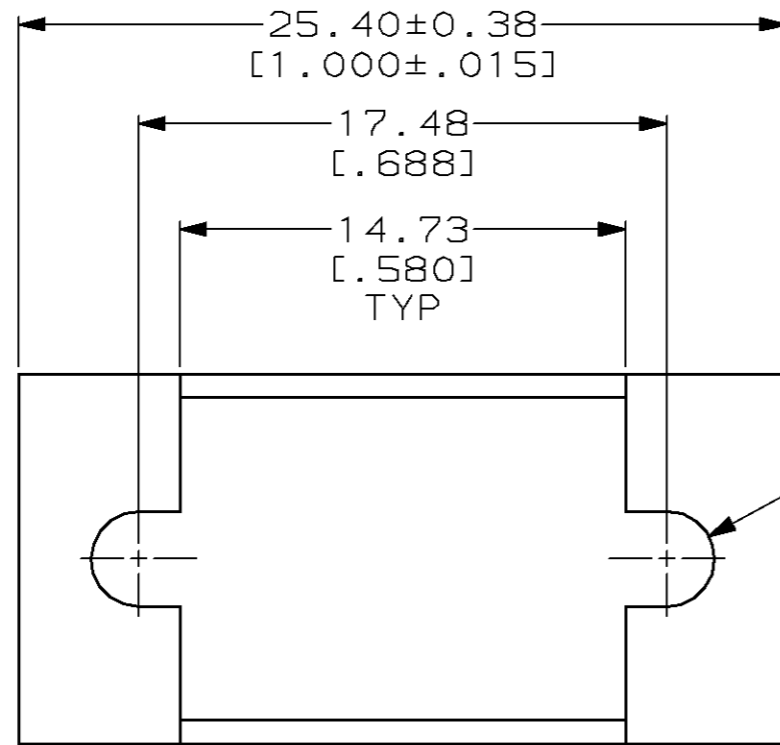
© COPYRIGHT 19

BY AMP INCORPORATED. ALL RIGHTS RESERVED.

LOC FT DIST 8

REVISIONS

P	LTR	DESCRIPTION	DATE	DWN	APVD
C		REDRAWN W/O CHANGE PER EC 0020-292-96	29 APR 96	BC	GS



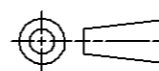
DATE CODE

204258-6

PART NUMBER

THIS DRAWING IS A CONTROLLED DOCUMENT.

DIMENSIONS:	TOLERANCES UNLESS OTHERWISE SPECIFIED:
mm [INCHES]	
0 PLC	±-
1 PLC	±-
2 PLC	±0.13 [.005]
3 PLC	±-
4 PLC	±-
ANGLES	±-



MATERIAL CARBON STEEL
 FINISH 5.08µm [.000200]
 MIN NICKEL PER QQ-N-290

DWN B. CARBO	29 APR 96
CHK R. STONE	16 MAY 96
APVD G. STEINHAUER	22 AUG 96
PRODUCT SPEC	-
APPLICATION SPEC	-
WEIGHT	-
CUSTOMER DRAWING	

AMP AMP Incorporated
 Harrisburg, PA 17105-3608

NAME PIN HOOD, 6 POSITION, MINIATURE RECTANGULAR, W/O SHIELD, M SERIES

SIZE A3	CAGE CODE 00779	DRAWING NO C-204258
SCALE 4:1	SHEET 1 OF 1	REV C

单击下面可查看定价，库存，交付和生命周期等信息

[>>TE Connectivity\(泰科\)](#)