

THIS DRAWING IS UNPUBLISHED. RELEASED FOR PUBLICATION

© COPYRIGHT BY TYCO ELECTRONICS CORPORATION. ALL RIGHTS RESERVED.

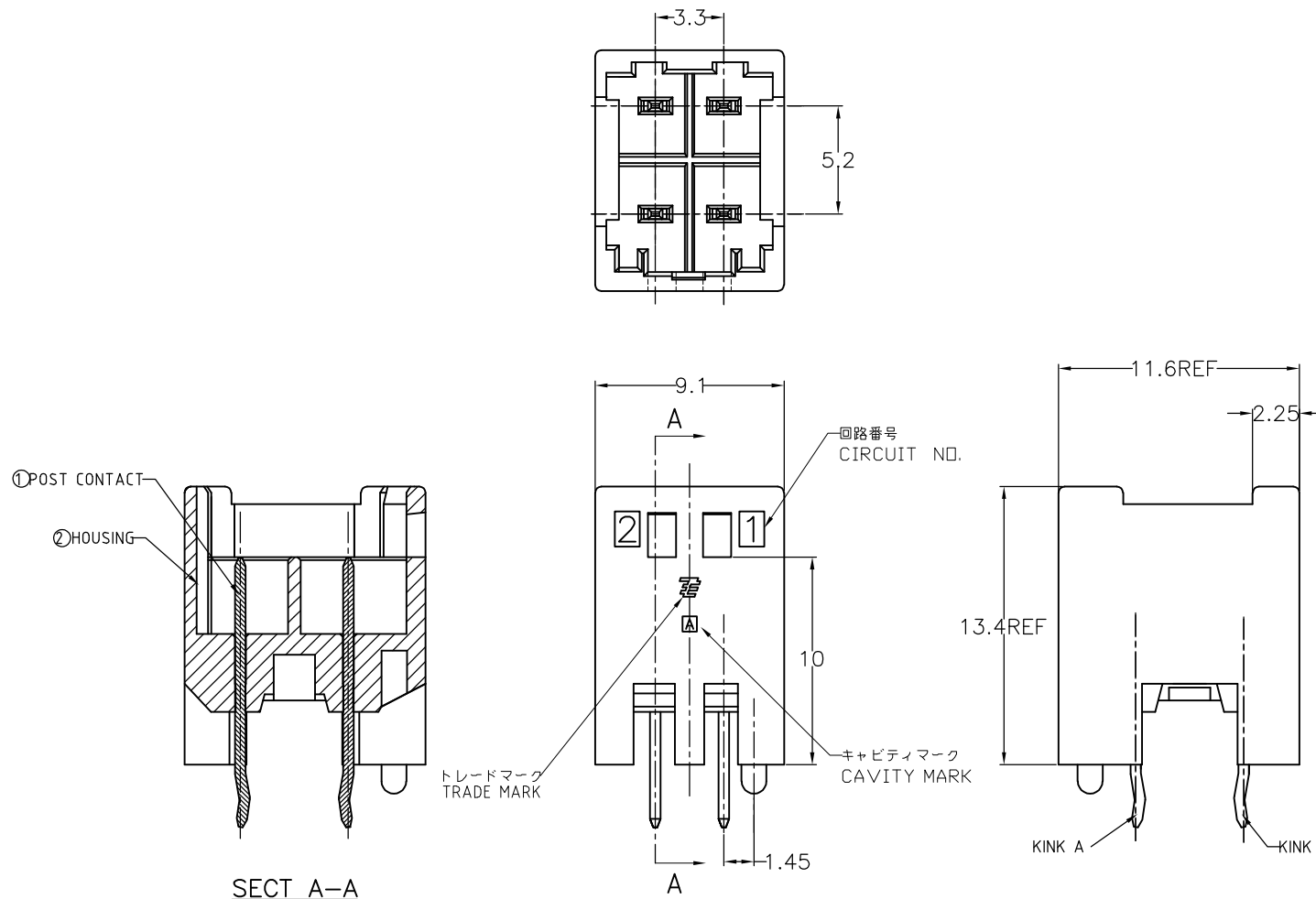
LOC	DIST	REVISIONS					
		P	LTR	DESCRIPTION	DATE	DWN	APVD
J	—		E1	REVISED PER ECR-10-019980	04OCT10	HMR	TM

TABLE

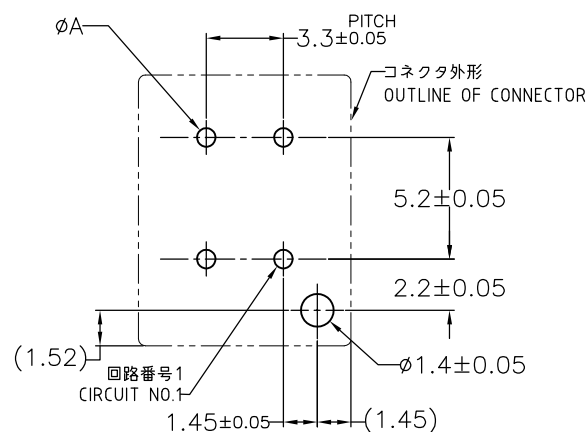
②	ヘッダーハウジング (HEADER HOUSING)	6/6ナイロンガラス強化 (6/6 NYLON GRASS FILLED)
①	ポストコンタクト (POST CONTACT)	錫めっき仕上げ 銅合金 (COPPER ALLOY TIN PLATED)
NO.	名称 (NAME)	材料 (MATERIAL)

- 注)
- 1. 取付穴寸法
  - 2. 適応基板厚: 1.6t
  - 3. かん合相手製品型番:  
プラグハウジング: SEE TABLE

- NOTES)
- 1. RECOMMENDED P.C.B LAY OUT
  - 2. APPLICABLE P.C.B. THICKNESS:1.6
  - 3. MATING CONN. P/N  
PLUG HOUSING :SEE TABLE



1 PCB. LAYOUT ON RECOMMENDATION



パンチ加工 (PUNCHED HOLE)	0.7 <sup>+0.1</sup> <sub>-0</sub>
ドリル加工 (DRILLED HOLE)	0.8 ±0.05
	A 寸法 DIM. A

× CHARACTER S IS STRAIGHT PIN.

4 POS	KINK FORM	B	B
	CIRCUIT NO.	3	4
	KINK FORM	A	A
	CIRCUIT NO.	1	2

THIS DRAWING IS A CONTROLLED DOCUMENT.		DWN T.HATANO 19APR2005	Tyco Electronics AMP K.K. Kawasaki, Japan	
DIMENSIONS: mm		CHK N.YAMASAKI 19APR2005	NAME GRACE INERTIA CONNECTOR 3.3 HEADER ASSEMBLY 4POS	
TOLERANCES UNLESS OTHERWISE SPECIFIED:		APVD N.YAMASAKI 19APR2005	PRODUCT SPEC 108-78231	
MATERIAL		FINISH	APPLICATION SPEC	RESTRICTED TO
WEIGHT		SIZE A3	CAGE CODE 00779	DRAWING NO 1827391
CUSTOMER DRAWING		SCALE 3:1	SHEET 1 OF 1	REV E1

2-1827385-1	WITH	BLUE	2-1827391-1
1827385-1	WITHOUT	NATURAL	5-1827391-1
1827385-1	WITH	NATURAL	1827391-1
MATING CONN. P/N	KINK	COLOR	PART NUMBER

单击下面可查看定价，库存，交付和生命周期等信息

[>>TE Connectivity\(泰科\)](#)