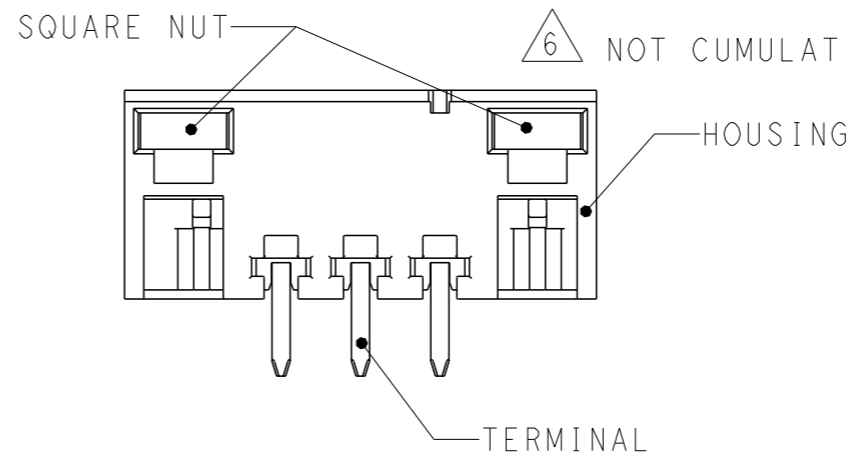
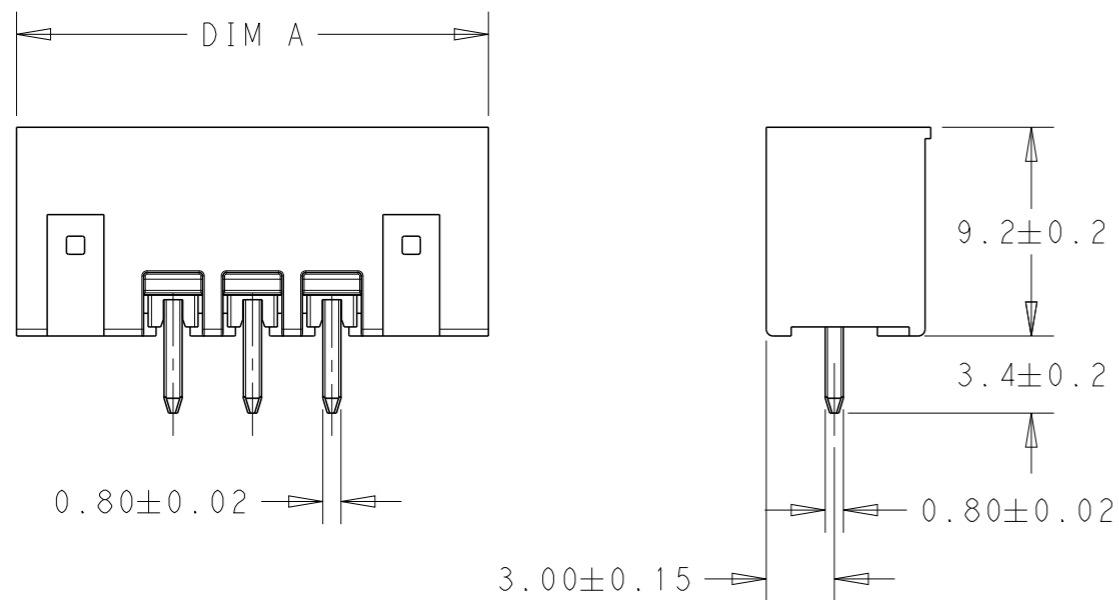
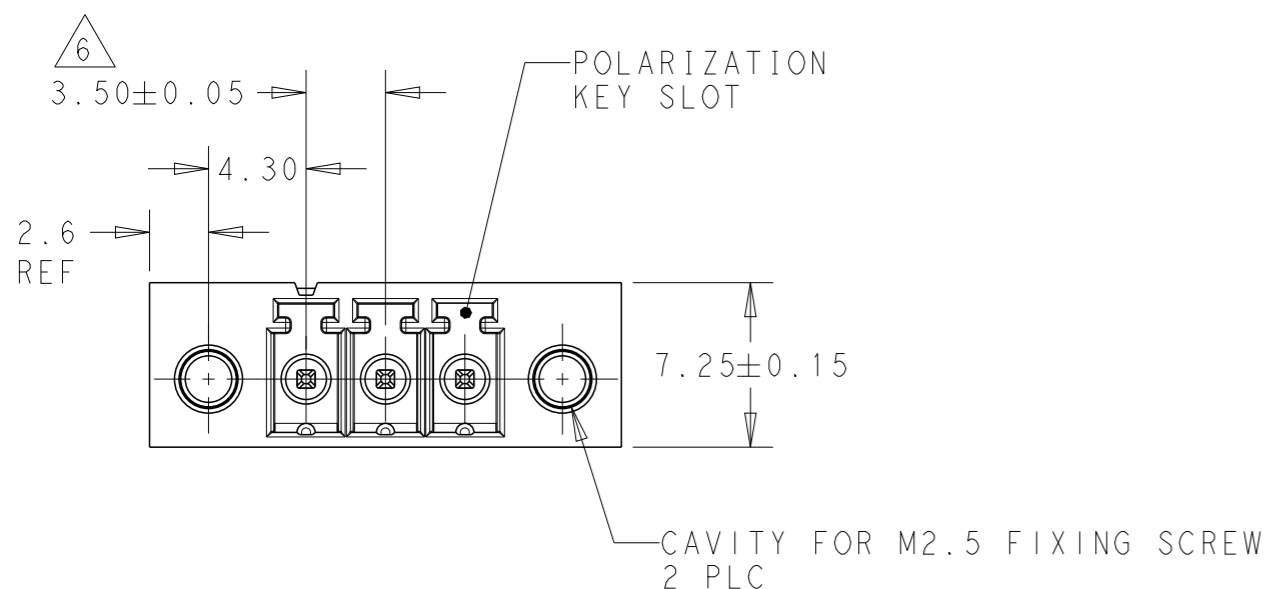


REVISIONS

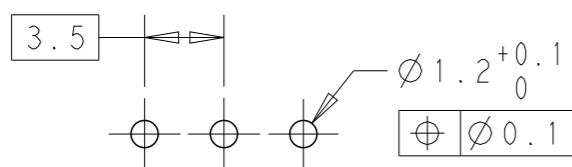
P	LTR	DESCRIPTION	DATE	DWN	APVD
A		SQUARE NUT PART INFORMATION ADDED	13APR2018	RK	PS

NOTES:


- MATERIALS AND FINISH:
HOUSING: HIGH TEMPERATURE POLYAMIDE, UL94V-0,
COLOR: BLACK.
TERMINAL: PHOSPHOR BRONZE, TIN PLATED.
SQUARE NUT: BRASS, NICKEL PLATED.
- MECHANICAL
MAX. INSERTION FORCE PER POLE : 3.0 N
MIN. WITHDRAWAL FORCE PER POLE : 1.5 N
MIN. PC BOARD HOLES DIAMETER : 1.2 mm
MAX. PC BOARD THICKNESS : 2.4 mm
- ELECTRICAL
WIRE RANGE : 14-30 AWG
MAX. VOLTAGE : 300 V
MAX CURRENT : 11 A
CONTACT RESISTANCE : <15 m Ohm
INSULATION RESISTANCE : >1000 M Ohm (500V DC)
- OPERATING TEMPERATURE RANGE: -40°C TO +110°C
- CONNECTOR ASSEMBLY INCLUDED 2 SQUARE NUTS LOADED IN CAVITY.



52.3	12	1-177132-2
48.8	11	1-177132-1
45.3	10	1-177132-0
41.8	9	177132-9
38.3	8	177132-8
34.8	7	177132-7
31.3	6	177132-6
27.8	5	177132-5
24.3	4	177132-4
20.8	3	177132-3
17.3	2	177132-2
DIM A	NO OF POS.	PART NUMBER



RECOMMENDED PC BOARD LAYOUT

THIS DRAWING IS A CONTROLLED DOCUMENT.		DWN S. SCHLEGEL 06JAN2010	 TE Connectivity		
DIMENSIONS: mm		CHK C RICHARD 06JAN2010			NAME
TOLERANCES UNLESS OTHERWISE SPECIFIED:		APVD C RICHARD 06JAN2010			TERMINAL BLOCK HEADER ASSEMBLY, STRAIGHT, W/ THREADED FLG, 3.5mm PITCH
0 PLC ± 1 PLC ±0.3 2 PLC ±0.25 3 PLC ± 4 PLC ± ANGLES ±2		PRODUCT SPEC			SIZE
MATERIAL SEE NOTES		FINISH SEE NOTES	APPLICATION SPEC	CAGE CODE	
			WEIGHT	DRAWING NO	
			CUSTOMER DRAWING	A300779	
			SCALE	RESTRICTED TO	
			3:1	-	
			SHEET	REV	
			1 OF 1	A	

单击下面可查看定价，库存，交付和生命周期等信息

[>>TE Connectivity\(泰科\)](#)