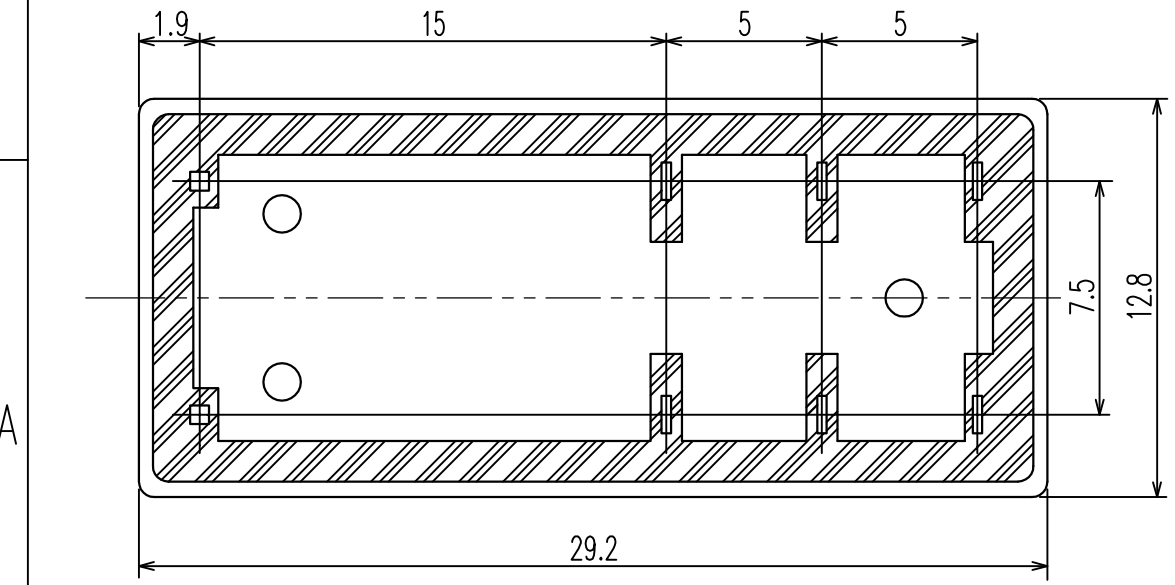
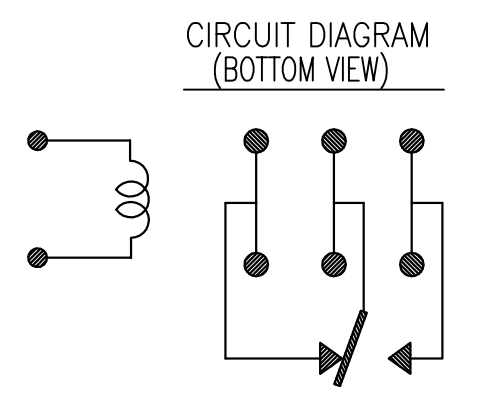
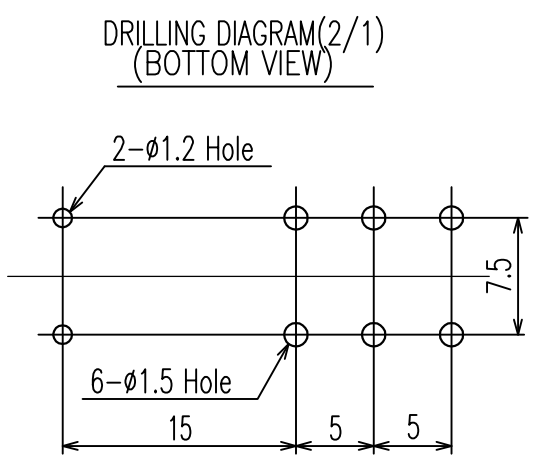
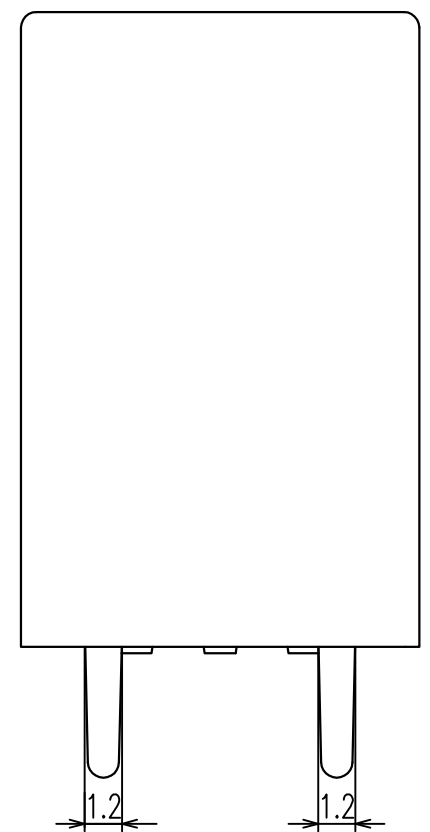
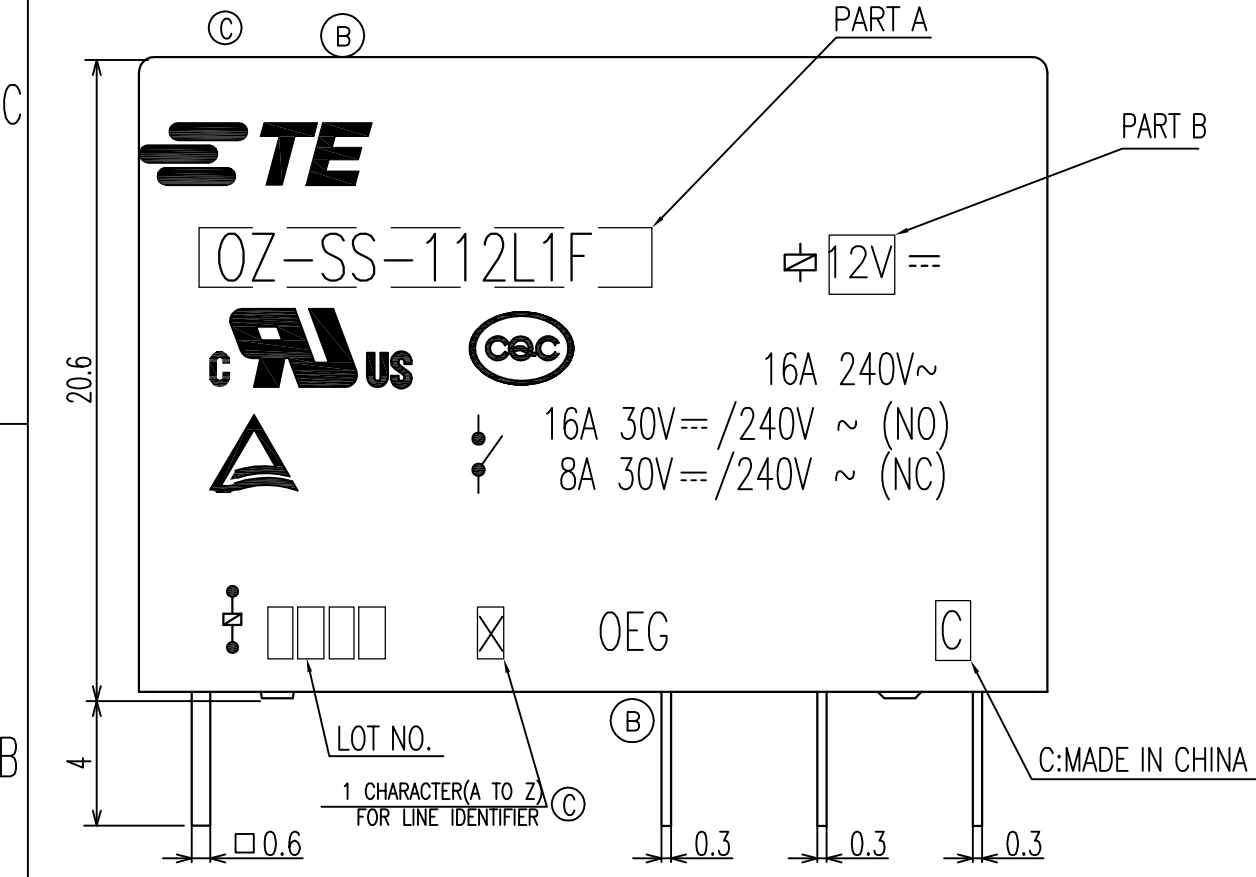
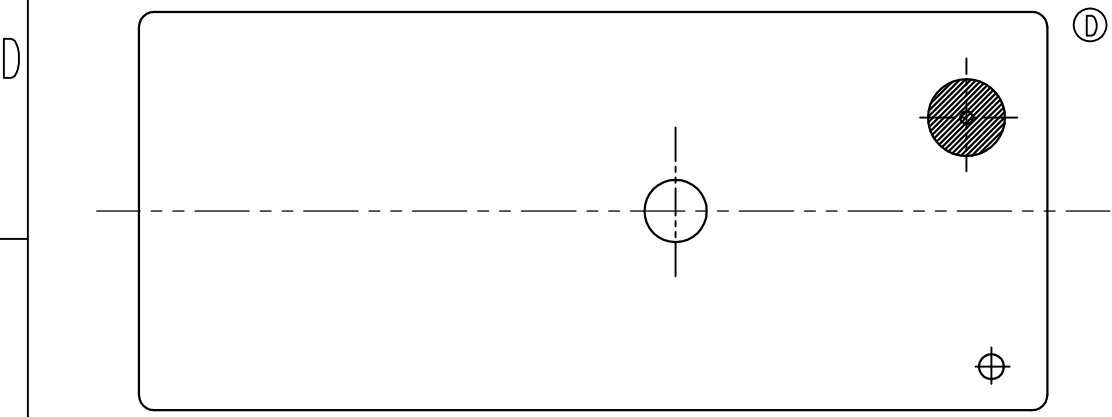


THIS DRAWING IS UNPUBLISHED. RELEASED FOR PUBLICATION
 © COPYRIGHT ALL RIGHTS RESERVED.

LOC	DIST	REVISIONS					
HB		P	LTR	DESCRIPTION	DATE	DWN	APVD
			C	1.UPDATE TE LOGO 2.ADD LINE IDENTIFICATION 3.TERMINALS TOLERANCE CLARIFICATION 4.VENT HOLE CHANGE	ECO-12-005726	09-APR-12	D.L BH.Y
			D	CHANGE THE VENT HOLE SHAPE FROM RECTANGLE TO CIRCLE ONE	ECO-13-015347	16-DEC-13	XL,Y B,F



DWN N.FUNAYAMA		TE Connectivity	
CHK T.FUKAYA			
APVD MJ.HO		NAME	
PRODUCT SPEC -		OZ CUSTOMER DRAWING	
APPLICATION SPEC -		SIZE A3	CAGE CODE 00779
MATERIAL -		DRAWING NO C= 1649399	RESTRICTED TO -
FINISH -		WEIGHT -	SCALE 4:1
DIMENSIONS: mm		SHEET 1 OF 2	
TOLERANCES UNLESS OTHERWISE SPECIFIED: 0 PLC ± 1 PLC ± 2 PLC ± 3 PLC ± 4 PLC ± ANGLES ±		REV D	
CUSTOMER DRAWING			

THIS DRAWING IS UNPUBLISHED.

RELEASED FOR PUBLICATION

© COPYRIGHT

ALL RIGHTS RESERVED.

LOC
HB

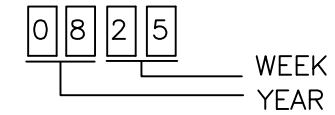
DIST

REVISIONS

P	LTR	DESCRIPTION	ECN	DATE	DWN	APVD

NOTES:

1.LOT NO. SYSTEM AS FOLLOWING:



2.GENERAL TOLERANCE AS FOLLOWING:

TOLERANCE	
0~0.99mm	±0.1
1mm~2.99mm	±0.2
3mm MIN.	±0.3

3.TERMINAL DIMENSION IS NOT INCLUDING SOLDER TIP.

© 4.FOR THE TIN-PLATING OF THE PINS:
+0.1mm FOR WIDTH,THICKNESS AND DIAMETER.
+0.5mm FOR LENGTH.

(A1)	3-1649399-0	OZ-SH-148D1	48V	OZ-SH-148D1
(A1)	2-1649399-9	OZ-SH-124D1	24V	OZ-SH-124D1
(A1)	2-1649399-8	OZ-SH-118D1	18V	OZ-SH-118D1
(A1)	2-1649399-7	OZ-SH-112D1	12V	OZ-SH-112D1
(A1)	2-1649399-6	OZ-SH-109D1	9V	OZ-SH-109D1
(A1)	2-1649399-5	OZ-SH-106D1	6V	OZ-SH-106D1
(A1)	2-1649399-4	OZ-SH-105D1	5V	OZ-SH-105D1
(A1)	2-1649399-3	OZ-SS-148D1	48V	OZ-SS-148D1
(A1)	2-1649399-2	OZ-SS-124D1	24V	OZ-SS-124D1
(A1)	2-1649399-1	OZ-SS-118D1	18V	OZ-SS-118D1
(A1)	2-1649399-0	OZ-SS-112D1	12V	OZ-SS-112D1
(A1)	1-1649399-9	OZ-SS-109D1	9V	OZ-SS-109D1
(A1)	1-1649399-8	OZ-SS-106D1	6V	OZ-SS-106D1
(A1)	1-1649399-7	OZ-SS-105D1	5V	OZ-SS-105D1
	1-1649399-6	OZ-SH-148L1	48V	OZ-SH-148L1
	1-1649399-5	OZ-SH-136L1	36V	OZ-SH-136L1
	1-1649399-4	OZ-SH-124L1	24V	OZ-SH-124L1
	1-1649399-3	OZ-SH-118L1	18V	OZ-SH-118L1
	1-1649399-2	OZ-SH-112L1	12V	OZ-SH-112L1
	1-1649399-1	OZ-SH-109L1	9V	OZ-SH-109L1
	1-1649399-0	OZ-SH-106L1	6V	OZ-SH-106L1
	1649399-9	OZ-SH-105L1	5V	OZ-SH-105L1
	1649399-8	OZ-SS-148L1	48V	OZ-SS-148L1
	1649399-7	OZ-SS-136L1	36V	OZ-SS-136L1
	1649399-6	OZ-SS-124L1	24V	OZ-SS-124L1
	1649399-5	OZ-SS-118L1	18V	OZ-SS-118L1
	1649399-4	OZ-SS-112L1	12V	OZ-SS-112L1
	1649399-3	OZ-SS-109L1	9V	OZ-SS-109L1
	1649399-2	OZ-SS-106L1	6V	OZ-SS-106L1
	1649399-1	OZ-SS-105L1	5V	OZ-SS-105L1
	PART NO	EC TYPE NAME	PART B	PART A

RELAY TYPE

		UV RESIN	UV SEAL	17
		EPOXY RESIN	SEAL	16
		Cu ALLOY	HINGE SPRING	15
UL94 V-0		PBT	CASE	14
		POLYURETHANE COPPER WIRE	MAGNETIC WIRE	13
UL94 V-0		PET	BASE	12
UL94 V-0		PBT	BOBBIN	11
	SOLDER DIP	HCP WIRE	COIL TERMINAL	10
UL94 V-0		PPS	CARD	9
		Ag ALLOY	MOVABLE CONTACT	8
		Ag ALLOY	STATIONARY CONTACT	7
	SOLDER DIP	Cu ALLOY	NC TERMINAL	6
	SOLDER DIP	Cu ALLOY	MOVABLE SPRING	5
	SOLDER DIP	Cu ALLOY	NO TERMINAL	4
	Ni PLATED	STEEL	CORE	3
	Ni PLATED	STEEL	ARMATURE	2
	Ni PLATED	STEEL	YOKE	1
INCOMBUSTIBILITY	TREATMENT	MATERIAL	DESCRIPTION	ITEM

DIMENSIONS:	TOLERANCES UNLESS OTHERWISE SPECIFIED:
mm	
	0 PLC ±
	1 PLC ±
	2 PLC ±
	3 PLC ±
	4 PLC ±
	ANGLES ±
MATERIAL	FINISH
-	-

DWN				
CHK				
APVD	NAME			
PRODUCT SPEC	OZ CUSTOMER DRAWING			
APPLICATION SPEC	SIZE	CAGE CODE	DRAWING NO	RESTRICTED TO
WEIGHT	A3	00779	© 1649399	-
CUSTOMER DRAWING	SCALE	SHEET	REV	
	4:1	2 OF 2	D	

单击下面可查看定价，库存，交付和生命周期等信息

[>>TE Connectivity\(泰科\)](#)