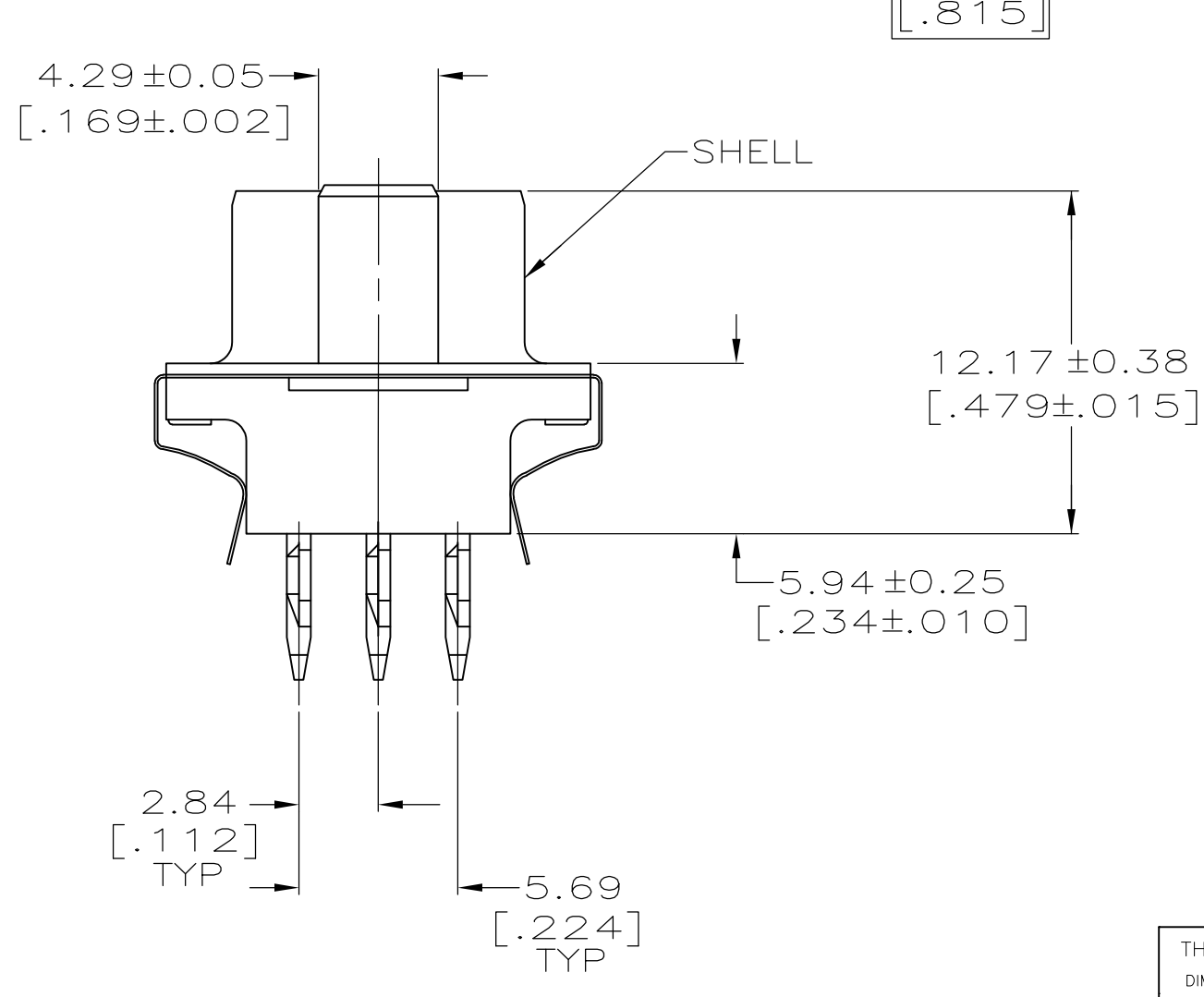
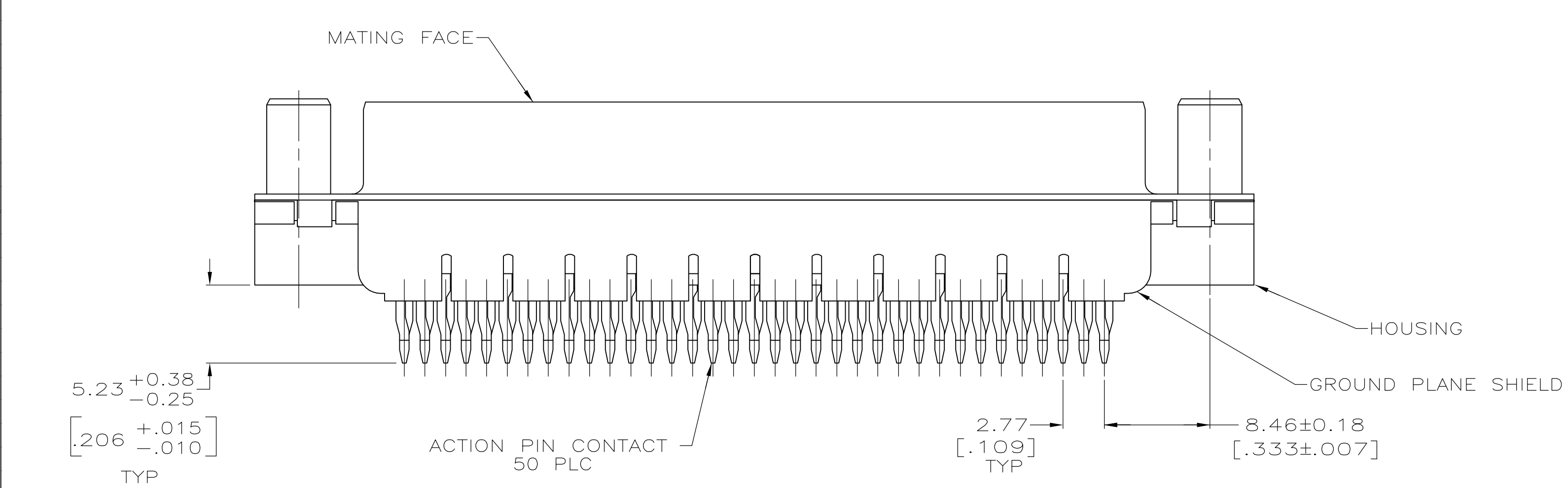
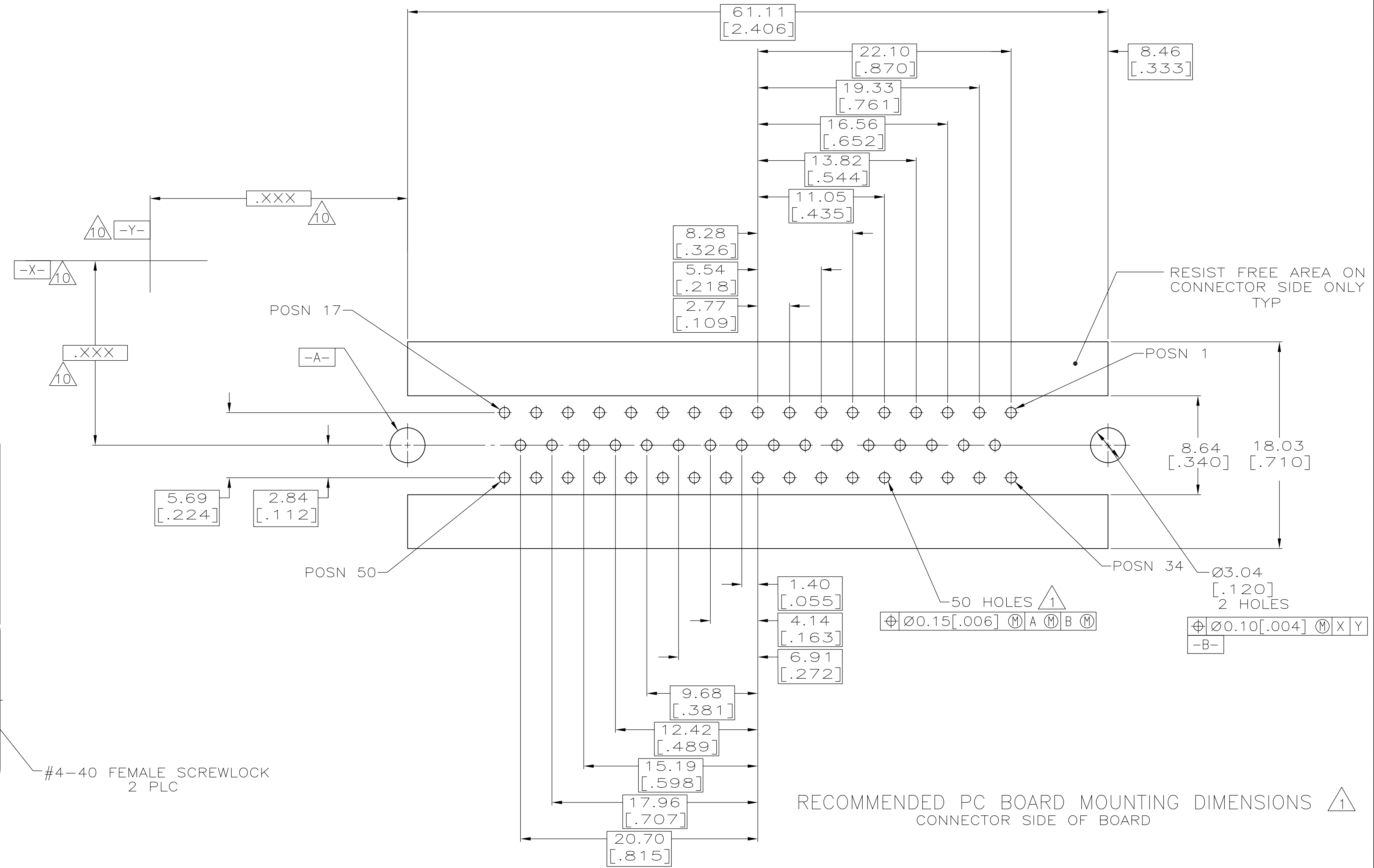
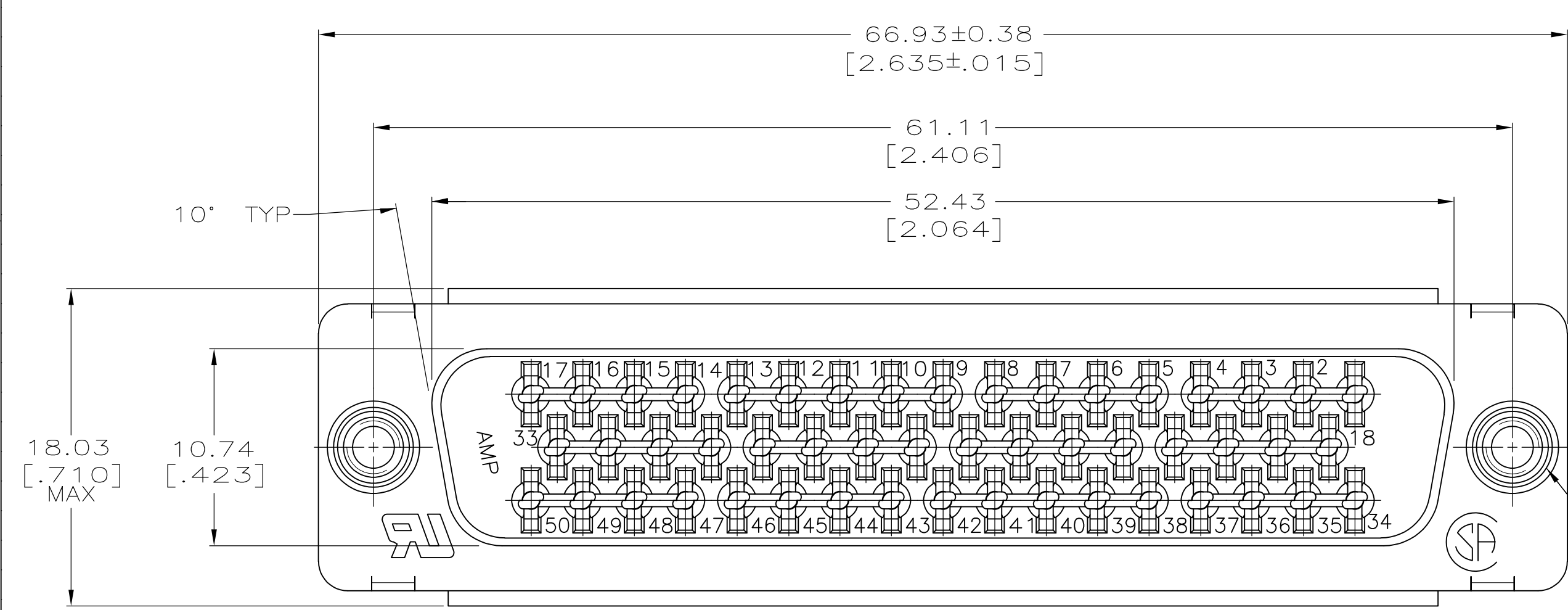


- 1 FOR USE WITH 2.36 [.093] MINIMUM THICK PRINTED CIRCUIT BOARD. REFER TO APPLICATION SPECIFICATION FOR HOLE SIZE AND FINISH RECOMMENDATIONS.
- 2 HOUSING: NYLON OR POLYESTER, UL 94V-0 RATED, BLACK.
- 3 CONTACTS: COPPER ALLOY.
- 4 SHELL: CARBON STEEL.
- 5 SCREWLOCKS: ZINC.
- 6 SHIELD: 1.27µm [.000050] MIN TIN OVER 0.13µm [.000005] MIN NICKEL STRIKE.
- 7 SHELL: 5.08µm [.000200] MIN TIN OVER 2.54µm [.000100] MIN COPPER.
- 8 CONTACTS:
  - 0.76 MICRO METERS [.000030] MINIMUM GOLD IN MATING AREA.
  - 2.54 MICRO METERS [.000100] MINIMUM TIN ON COMPLIANT PIN.
  - ALL OVER 1.27 MICRO METERS [.000050] MINIMUM NICKEL.
  - OR
  - GOLD FLASH OVER PALLADIUM NICKEL.
  - 0.76 MICRO METERS [.000030] MINIMUM TOTAL IN MATING AREA.
  - 2.54 MICRO METERS [.000100] MINIMUM TIN ON COMPLIANT PIN.
  - ALL OVER 1.27 MICRO METERS [.000050] MINIMUM NICKEL.
- 9 STAINLESS STEEL
- 10 DATUMS AND BASIC DIMENSIONS ESTABLISHED BY CUSTOMERS.
- 11 SCREWLOCKS: CLEAR CHROMATE



RECOMMENDED PC BOARD MOUNTING DIMENSIONS 1  
CONNECTOR SIDE OF BOARD

**COPYRIGHT 2005  
TYCO ELECTRONICS CORP  
ALL RIGHTS RESERVED**

THIS DRAWING IS A CONTROLLED DOCUMENT. DIMENSIONING AND TOLERANCING PER ASME Y14.5M-2009		DIN J. ALCORTA 04-04-05	5748443-2	
DIMENSIONS: INCHES		CHK S. BOLASH 04-04-05	PART NO	
TOLERANCES UNLESS OTHERWISE SPECIFIED:		APPD M. WALMSLEY 04-04-05	TE Connectivity	
0 PLC ± -	1 PLC ± -	NAME	RECEPTACLE ASSEMBLY, SIZE 5, 50 POSITION, ACTION PIN, FRONT METAL SHELL	
2 PLC ± 0.13 [.005]	3 PLC ± -	PRODUCT SPEC	108-40014	
4 PLC ± -	ANGLES ± ±	APPLICATION SPEC	114-40026 1	
MATERIAL	FINISH	SIZE	CAGE CODE	DRAWING NO
2 3 4 5 9	6 7 8 11	A1	00779	5748443
CUSTOMER DRAWING		SCALE	SHEET	REV
		4:1	1 OF 1	C

单击下面可查看定价，库存，交付和生命周期等信息

[>>TE Connectivity\(泰科\)](#)