

THIS DRAWING IS UNPUBLISHED.

RELEASED FOR PUBLICATION

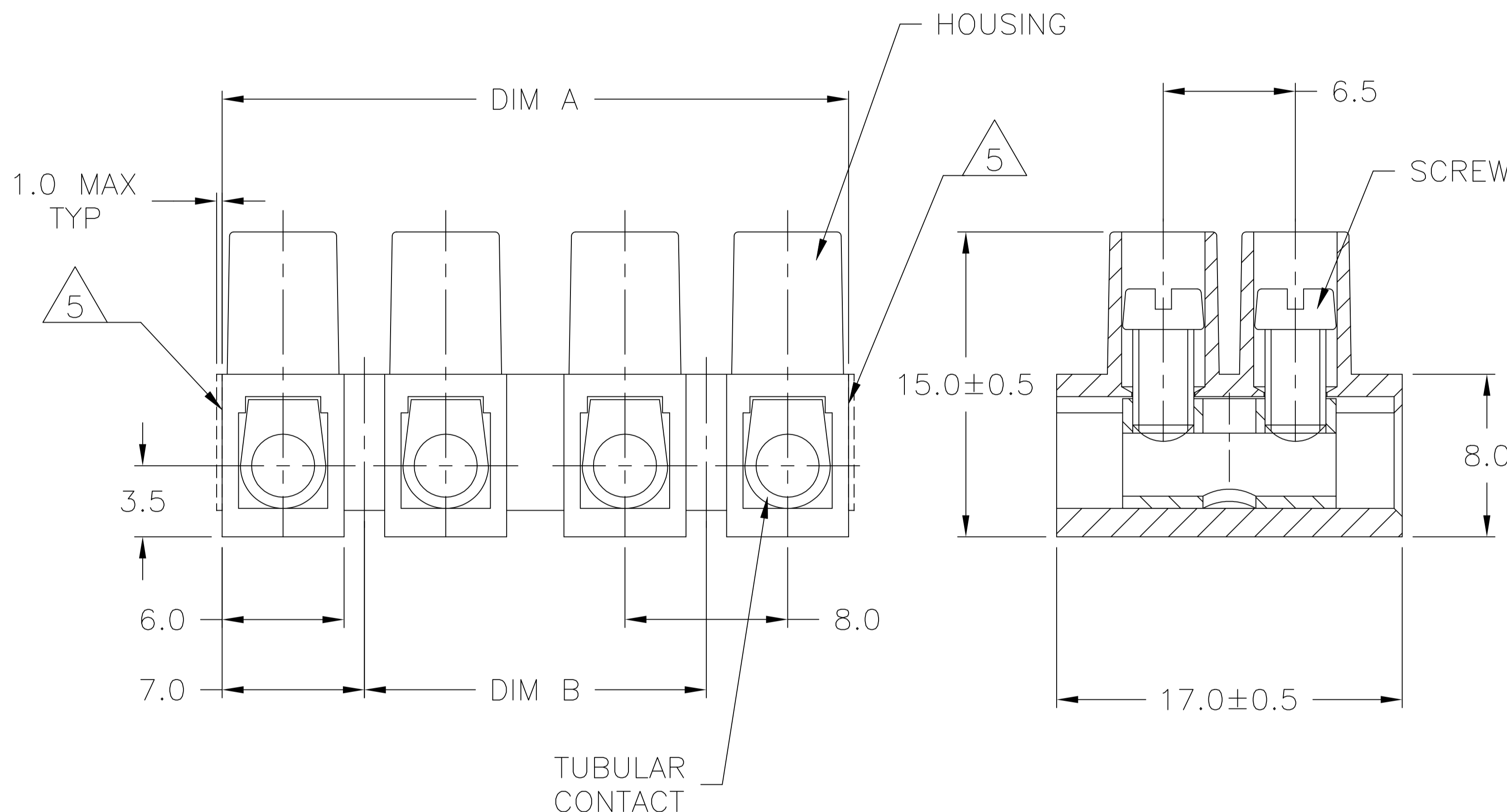
© COPYRIGHT - TE Connectivity Ltd.

ALL RIGHTS RESERVED.

REVISIONS

| P | LTR | DESCRIPTION | DATE | DWN | APVD |
|---|-----|----------------------------|-----------|-----|------|
| P | | CUTTING BURR DETAILS ADDED | 20NOV2018 | RK | PS |

- MATERIALS:
HOUSING: POLYAMIDE 6, UL94V-2.
COLOR: NATURAL.
TUBULAR CONTACT: BRASS, TIN PLATED.
SCREW: M3, STEEL, ZINC PLATED W/ NON-HEXAVALENT CHROMATE (CHROME III).
- MECHANICAL:
PITCH: 8.0mm
WIRE STRIP LENGTH: 5mm
MIN. WIRE PULL OUT: 75 LBS.
RECOMMENDED TIGHTENING TORQUE: 5 IN-LB.
- ELECTRICAL PROPERTIES:
MAXIMUM CURRENT: 30A
OPERATING VOLTAGE: 250V
WIRE RANGE: 12-24 AWG
DIELECTRIC WITHSTAND: 3000V
- ENVIRONMENTAL PROPERTIES:
CONTINUOUS WORKING TEMP: -35°C TO +100°C
- CUTTING PROJECTION CAN BE ON BOTH SIDES DEPENDING ON CUTTING LOCATION.
- CUTTING BURR MAX. 1mm ALLOWED.



1776294-4 AS SHOWN

| | | | | | |
|----------|-------|----------|-------------|----------------|----------------|
| | 80.0 | 94.0±1.0 | 12 | TSB230 12 | 1-1776294-2 |
| OBSOLETE | 72.0 | 86.0±0.7 | 11 | TSB230 11 | - |
| | 64.0 | 78.0±0.7 | 10 | TSB230 10 | 1-1776294-0 |
| | 56.0 | 70.0±0.7 | 9 | TSB230 09 | 1776294-9 |
| | 48.0 | 62.0±0.7 | 8 | TSB230 08 | 1776294-8 |
| OBSOLETE | 40.0 | 54.0±0.7 | 7 | TSB230 07 | - |
| | 32.0 | 46.0±0.7 | 6 | TSB230 06 | 1776294-6 |
| | 24.0 | 38.0±0.5 | 5 | TSB230 05 | 1776294-5 |
| | 16.0 | 30.0±0.5 | 4 | TSB230 04 | 1776294-4 |
| | 8.0 | 22.0±0.5 | 3 | TSB230 03 | 1776294-3 |
| | - | 14.0±0.5 | 2 | TSB230 02 | 1776294-2 |
| | - | 6.0±0.3 | 1 | TSB230 01 | 1776294-1 |
| | DIM B | DIM A | NO. OF POS. | CATALOG NUMBER | TE PART NUMBER |

| | | | | | |
|--|--|------------------------------|---|------------------------|--------------------|
| THIS DRAWING IS A CONTROLLED DOCUMENT. | | DWN S SCHLEGEL 3/18/05 | TE Connectivity Ltd. | | |
| DIMENSIONS: mm | | CHK C RICHARD 3/18/05 | | | |
| TOLERANCES UNLESS OTHERWISE SPECIFIED: | | APVD C RICHARD 3/18/05 | NAME 8.0mm PITCH, 30A, W/ TUNNEL CONNECTION EUROPA TERMINAL BLOCK | | |
| 0 PLC ± - 1 PLC ± 0.3 2 PLC ± 0.25 3 PLC ± - 4 PLC ± - ANGLES ± - | | PRODUCT SPEC - | - | | |
| MATERIAL SEE NOTES | | FINISH SEE NOTES | APPLICATION SPEC - | SIZE A3 | RESTRICTED TO - |
| | | WEIGHT - | DRAWING NO 00779 | CAGE CODE C=1776294 | |
| CUSTOMER DRAWING | | | SCALE NTS | SHEET 1 of 1 | REV P |

单击下面可查看定价，库存，交付和生命周期等信息

[>>TE Connectivity\(泰科\)](#)