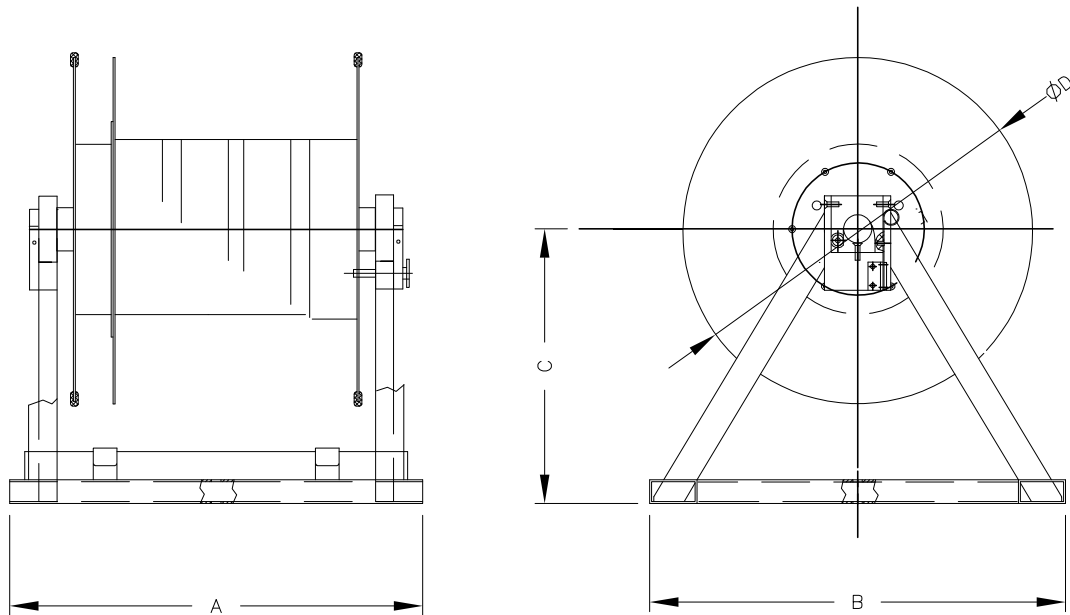


LOC	DIST	REVISIONS					
CE	16	P	LTR	DESCRIPTION	DATE	DWN	APVD
			A1	ADD NOTE 5; APPROX WT COL	04JAN10	KG	JB



TE P/N	A	B	C	MAX REEL DIA D	APPROXIMATE WEIGHT (kg)
1754517-1	437.0	440.0	290.0	500.0	3.60
1754517-2	600.0	600.0	406.5	700.0	5.60

1. DIMENSIONS ARE FOR REFERENCE ONLY.
- 2 MATERIAL: ALUMINUM 6061-76.
- 3 FINISH: POLYESTER EPOXY, COLOR RAL 6006.
4. REEL NOT INCLUDED WITH FRAME.
5. INCLUDED COMPONENTS: STATIC FRAME, FOLDING CRANK HANDLE, UTILITY POUCH AND APPROPRIATELY SIZED CARRYING HANDLE.

RELEASED FOR PUBLICATION

ALL RIGHTS RESERVED.

COPYRIGHT BY TYCO ELECTRONICS CORPORATION.

THIS DRAWING IS UNPUBLISHED.

DIMENSIONS: mm	DWN K. GLATFELTER 23MAR2005	MATERIAL	2 -	FINISH	3 -
	CHK J. SHIPE 10MAY2005	Tyco Electronics Corporation Harrisburg, Pa 17105-3608			
TOLERANCES UNLESS OTHERWISE SPECIFIED:	APVD D. BAECHTLE 10MAY2005	NAME STATIC FRAME CABLE REEL			
	PRODUCT SPEC -	SIZE	CAGE CODE	DRAWING NO	RESTRICTED TO
0 PLC ± - 1 PLC ± - 2 PLC ± - 3 PLC ± - 4 PLC ± - ANGLES ± -	APPLICATION SPEC -	A4	00779	C-1754517	-
	WEIGHT -	CUSTOMER DRAWING			SCALE NTS SHEET 1 OF 1 REV A1

单击下面可查看定价，库存，交付和生命周期等信息

[>>TE Connectivity\(泰科\)](#)