

THIS DRAWING IS UNPUBLISHED.

RELEASED FOR PUBLICATION

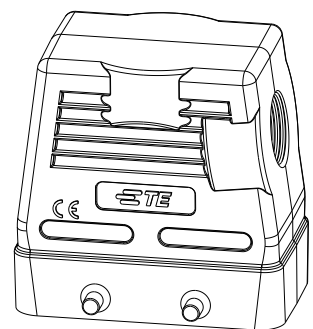
20

© COPYRIGHT 20 BY -

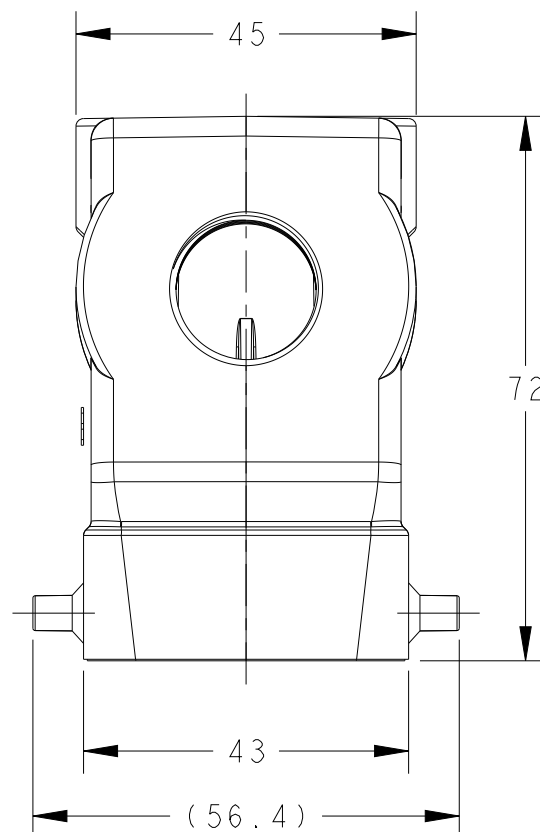
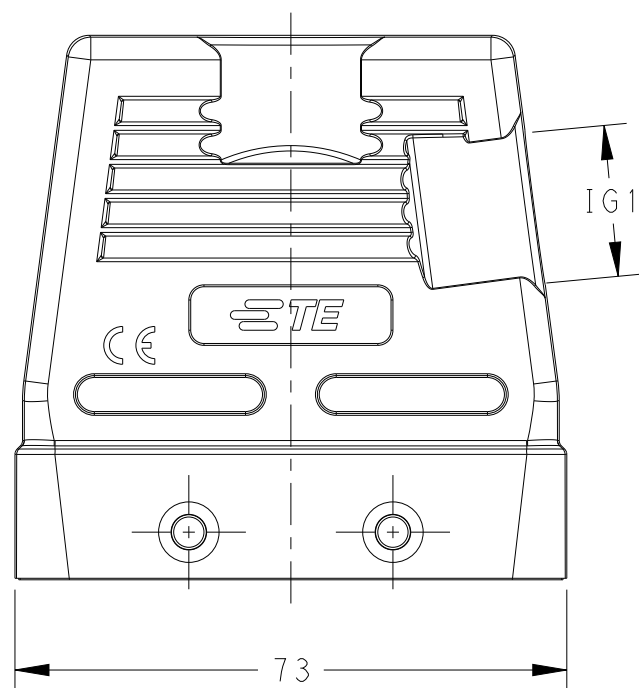
ALL RIGHTS RESERVED.

REVISIONS

P	LTR	DESCRIPTION	DATE	DWN	APVD
	A	INITIAL	11JUN2015	DW	CW
	B	ECR-20-008181	28JUN2020	WQR	CW
	B1	ECR-21-103925	28MAY2021	WQR	CW



SCALE 1:2

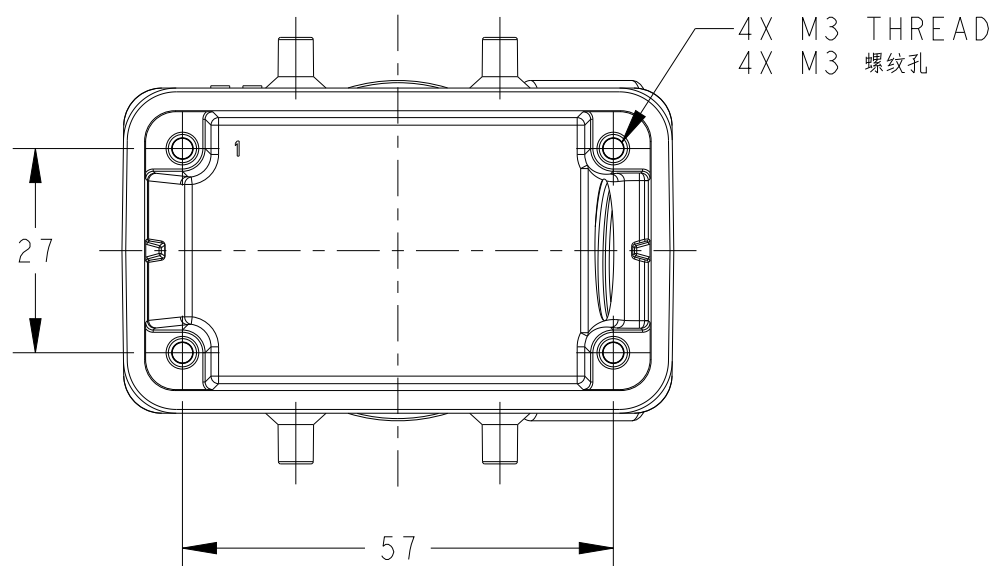


NOTES:

- 1. TECHNICAL CHARACTERISTICS:
HOOD MATERIAL: DIE CAST ALUMINIUM ALLOY
SURFACE: POWDER COATED, GREY
DEGREE OF PROTECTION: IP65 (MATED)

注释:

- 1. 技术参数:
上壳材料: 铝合金
表面处理: 粉末涂层, 灰色
防护等级: IP65(配合)



T1230100116-000	H10B-TSH-PG16	HIGH CONSTRUCTION	PG16
T1230100120-000	H10B-TSH-M20		M20
T1230100121-000	H10B-TSH-PG21		PG21
T1230100125-000	H10B-TSH-M25		M25
T1230100129-000	H10B-TSH-PG29		PG29
T1230100132-000	H10B-TSH-M32		M32
T1230100140-000	H10B-TSH-M40		M40
PART NUMBER	DESCRIPTION	TYPE	IG1

THIS DRAWING IS A CONTROLLED DOCUMENT.

DIMENSIONS:	TOLERANCES UNLESS OTHERWISE SPECIFIED:
mm	
	0 PLC ±-
	1 PLC ±-
	2 PLC ±-
	3 PLC ±-
	4 PLC ±-
	ANGLES ±-
MATERIAL	FINISH
-	-
-	-

DWN	11JUN2015
David Wang	
CHK	11JUN2015
Chris Wang	
APVD	11JUN2015
Xiang Xu	
PRODUCT SPEC	108-137013
APPLICATION SPEC	114-137013
WEIGHT	-
Customer Drawing	

TE Connectivity		NAME		RESTRICTED TO
		H10B-TSH-M/PG		
SIZE	CAGE CODE	DRAWING NO		
A3	00779	©-T12301001XX000		
SCALE	1:1	SHEET	1 OF 1	REV
				B1

单击下面可查看定价，库存，交付和生命周期等信息

[>>TE Connectivity\(泰科\)](#)