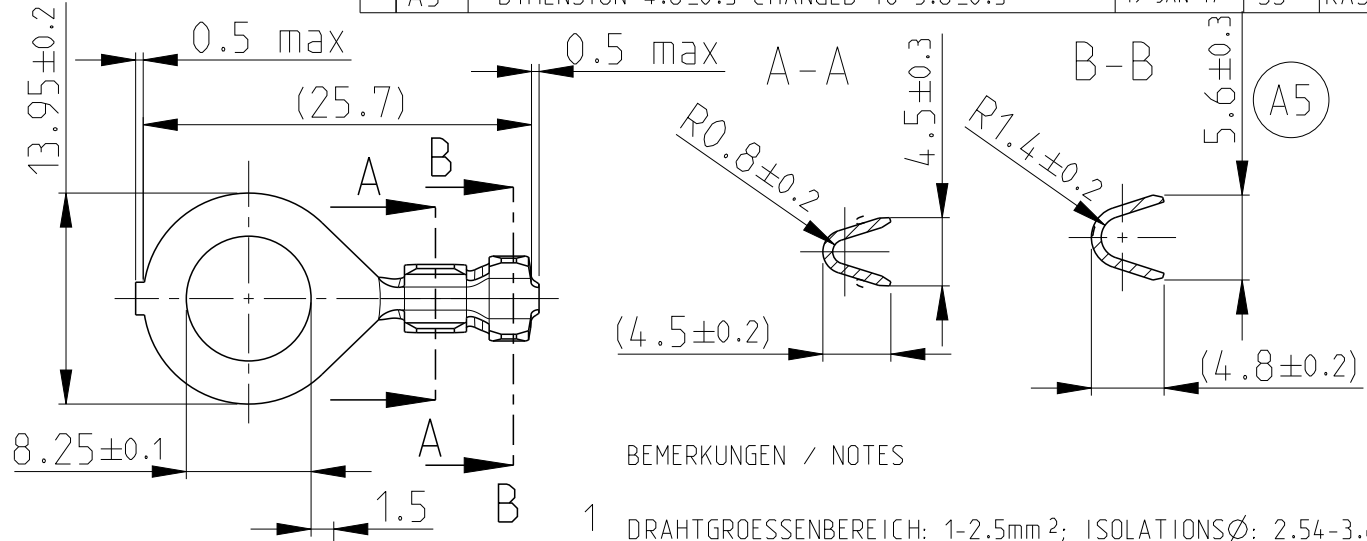


| | | | | | | | | |
|----------------------------|-----------|-----------|-----------|-----|---------------------------------------|-----------|--------|-------|
| MATED WITH: PASSEND ZU: | LOC A1 | DIST - | REVISIONS | | | | | |
| PROJEKT NR.: 96-52431 | | | P | LTR | DESCRIPTION | DATE | DWN | APVD |
| | | | A2 | | Produktspez. hinzu | 30-SEP-03 | M.Zayc | Thiel |
| | | | A3 | | NOTE 5 IS NEW / BEM. 5 NEU | 22-JAN-09 | K.G | Thiel |
| | | | A4 | | SERRATIONS DELETED / KERBEN GELOESCHT | 09-APR-09 | TS | Thiel |
| | | | A5 | | DIMENSION 4.8±0.3 CHANGED to 5.6±0.3 | 19-JAN-17 | SS | RAS |



BEMERKUNGEN / NOTES

1 DRAHTGROESSENBEREICH: 1-2.5mm²; ISOLATIONSØ: 2.54-3.81
 LEITER: F-Crimp
 ISOLATION: F-Crimp
 WIRE RANGE: 1-2.5mm²; INSULATION RANGE: 2.54-3.81
 WIRE: F-crimp
 INSULATION: F-Crimp

20⁺⁷₋₂µm GALVANISCH VERZINNT
 20⁺⁷₋₂µm ELECTRODEPOSITED TIN

MESSPUNKT FÜR SCHICHTDICKE
 MEASURING POINT FOR PLATING THICKNESS

4 SCHUETTIGUT, AUS BANDWARE 160789-5
 BULK PACKAGED, MADE FROM STRIP VERSION 160789-5

(A5) 5 WEITERE EINZELHEITEN ZUR ANWENDUNG SIND IN DEN UNTERLAGEN
 ZUM VERARBEITUNGSWERKZEUG MIT DER NR.: 1529253 BZW. 2150296 DARGESTELLT
 FURTHER DETAILS OF THE APPLICATION ARE SHOWN IN
 THE APPLICATOR DOCUMENTS NO.: 1529253 AND ALSO 2150296



| | | | | | | | |
|------------------|------------|-----|-----|----------|---------------|--------------|---------|
| - | 969083-1 | A | | CuSn4 | verzinkt | RINGZUNGE... | 1 |
| CUSTOMER PART NO | TE PART NO | REV | PCS | MATERIAL | SURFACE COLOR | DESCRIPTION | ITEM NO |

DIMENSIONS: mm

TOLERANCES UNLESS OTHERWISE SPECIFIED:
 n. ISO 8015
 n. ISO 2768-mH-E
 n. DIN 16901

| | |
|--------|------|
| 0 PLC | ±0.5 |
| 1 PLC | ±0.5 |
| 2 PLC | ±0.5 |
| 3 PLC | ± |
| 4 PLC | ± |
| ANGLES | ±° |

| | | | | | |
|----------------------------------|-----------|----------|------------------------------------------------------------|------------|---------------|
| DWN K.Gossen | 10-JUL-96 | MATERIAL | - | FINISH | - |
| CHK F.Thiel | 10-JUL-96 | | | | |
| APVD S.Glaser | 30-SEP-03 | | | | |
| PRODUCT SPEC | 108-18911 | NAME | RING TONGUE, A8-2.5 DIN46225 RINGZUNGE, A8-2.5 DIN46225 | | |
| APPLICATION SPEC | - | SIZE | CAGE CODE | DRAWING NO | RESTRICTED TO |
| WEIGHT | 1.0g | A 4 | 00779 | ©=969083 | - |
| CUSTOMER DRAWING/KUNDENZEICHNUNG | | | | SCALE | 2:1 |
| | | | | SHEET | 1 OF 1 |
| | | | | REV | A5 |

20

RELEASED FOR PUBLICATION
 ALL RIGHTS RESERVED.

THIS DRAWING IS UNPUBLISHED.
 BY - TE Connectivity
 © COPYRIGHT 2003

单击下面可查看定价，库存，交付和生命周期等信息

[>>TE Connectivity\(泰科\)](#)