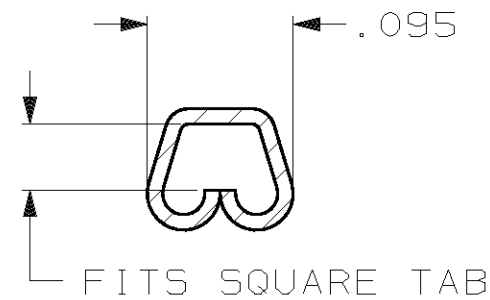
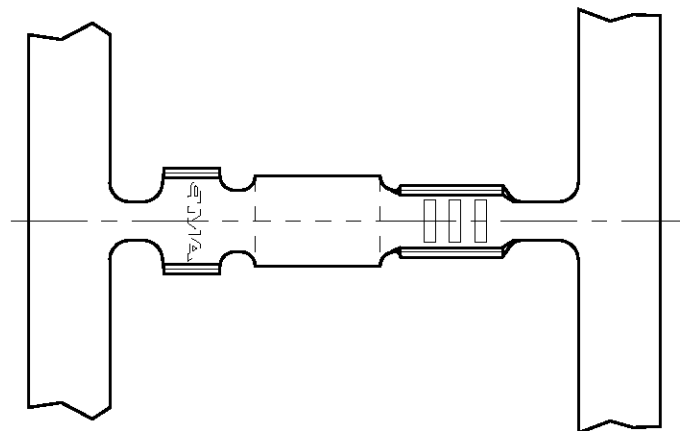


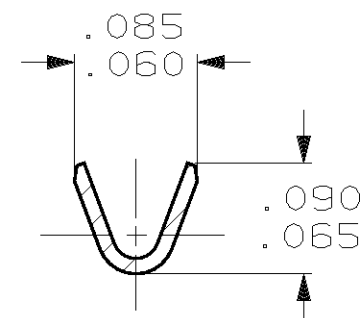
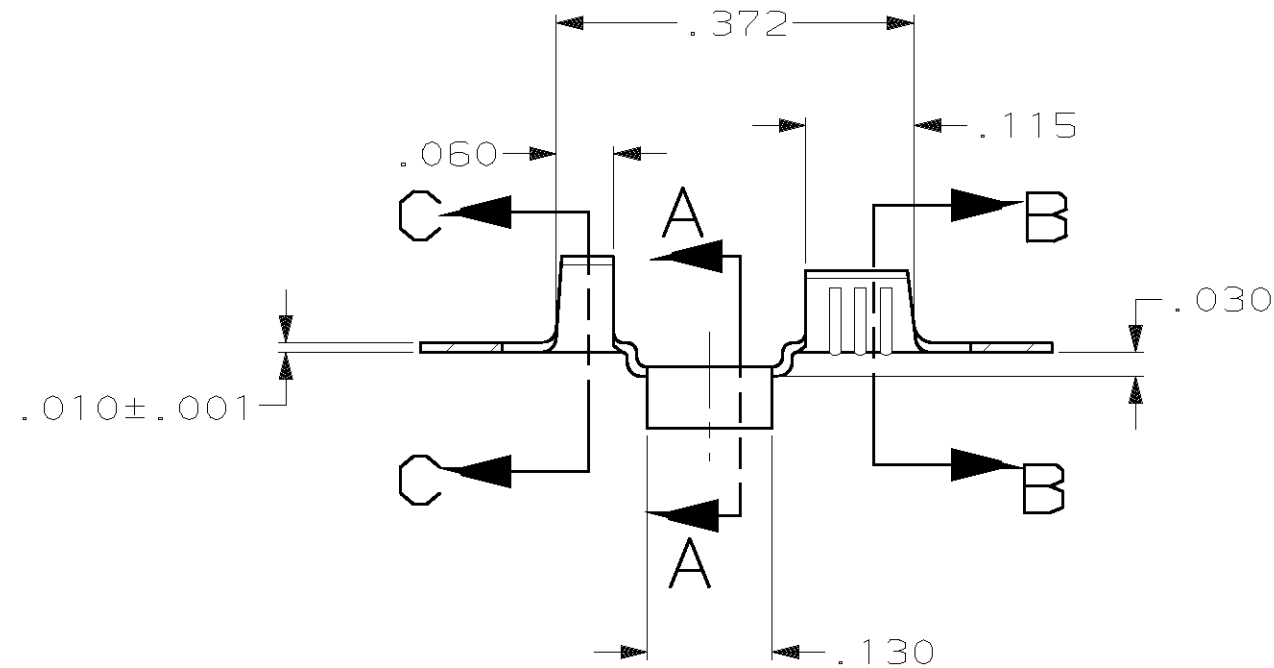
THIS DRAWING IS UNPUBLISHED. RELEASED FOR PUBLICATION, 19
 © COPYRIGHT 19 BY AMP INCORPORATED. ALL INTERNATIONAL RIGHTS RESERVED.

LOC	DIST	P	F	ZONE	LTR	DESCRIPTION	DATE	APPD
AF	50				V	0B5 -1 PER 0L10-0216-96	5/28/97	JR/JG

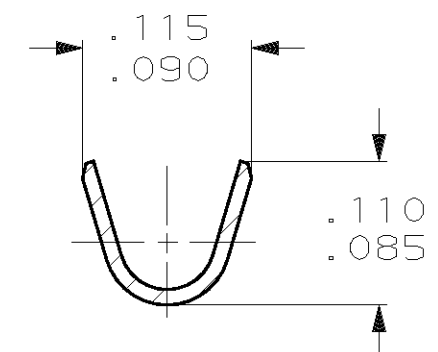
- 1 CONTINUOUS STRIP ON REELS.
- 2 FEED TO BE .330±.005.



SECTION A-A
SCALE 8:1



SECTION B-B
SCALE 8:1



SECTION C-C
SCALE 8:1

60524-5	.000080 MIN TIN	H04 BE COPPER	60524-4
60524-8	GOLD OVER NICKEL	H04 BRASS	60524-3
60524-6	.000080 MIN TIN	H04 BRASS	60524-2
60524-7	-	H04 BRASS	60524-1
REVERSE REEL PART NO.	FINISH	MATERIAL	PART NO
DO NOT SCALE PRINT. UNLESS SPECIFIED DIMENSIONS IN mm [INCHES] TOLERANCES ON: 2 PLC DEC ± - 3 PLC DEC ± .015 ANGLES ± -	DR 1/9/95 JR RUTH	AMP AMP Incorporated Harrisburg, PA 17105-3608	NAME RECEPTACLE, TAB, WRAP TYPE
	CHK 1/9/95 MS FEHER		
	APPD 1/9/95 J GILLESPIE		
	APPD 1/9/95 R REINER		
MATERIAL SEE TABLE	PRODUCT SPEC -	SIZE B	CAGE CODE 00779
FINISH SEE TABLE	APPLICATION SPEC -	DRAWING NO C-60524	SCALE 5:1
	WEIGHT -	SHEET 1 OF 1	

THIS DRAWING IS A CONTROLLED DOCUMENT FOR AMP INCORPORATED. IT IS SUBJECT TO CHANGE AND THE CONTROLLING ENGINEERING ORGANIZATION SHOULD BE CONTACTED FOR THE LATEST REVISION.

单击下面可查看定价，库存，交付和生命周期等信息

[>>TE Connectivity\(泰科\)](#)