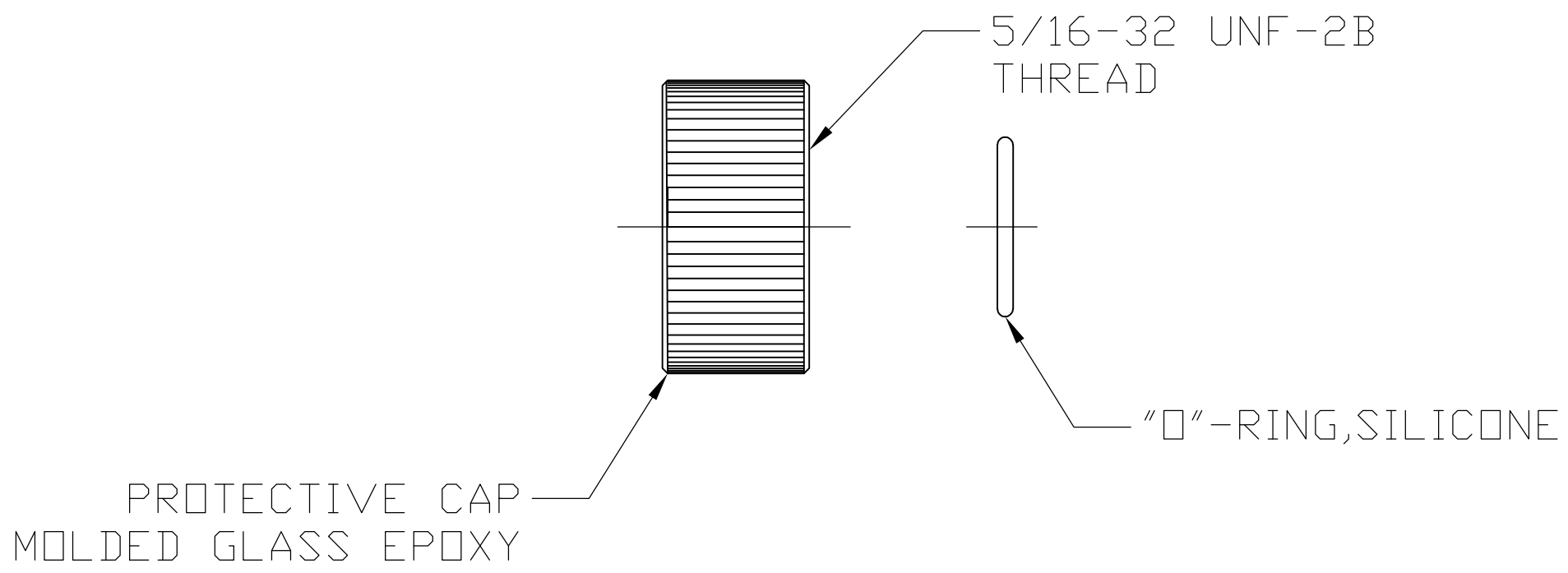

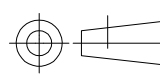


THIS DRAWING IS UNPUBLISHED. RELEASED FOR PUBLICATION
 © COPYRIGHT - By - ALL RIGHTS RESERVED.

| LOC | | DIST | | REVISIONS | | | |
|-----|-----|-----------------------|--|-----------|-----|------|--|
| P | LTR | DESCRIPTION | | DATE | DWN | APVD | |
| | B | REV PER ECO 13-011485 | | 7-25-13 | CT | DE | |



849055-1
PART NUMBER

| | | | | | | | |
|--|--|------------------------------|---|-------|-----------|----------------------------|---------------|
| THIS DRAWING IS A CONTROLLED DOCUMENT. | | DWN C.C.THOMAS 7-25-13 |  TE Connectivity | | | | |
| DIMENSIONS: INCHES  | | CHK D.EABY 7-25-13 | | | | NAME KIT,LGH-1/2 & 1/2L | |
| TOLERANCES UNLESS OTHERWISE SPECIFIED: 0 PLC ± - 1 PLC ± - 2 PLC ± - 3 PLC ± - 4 PLC ± - ANGLES ± - | | APVD D.EABY 7-25-13 | PRODUCT SPEC | | | | |
| MATERIAL | | FINISH | APPLICATION SPEC | SIZE | CAGE CODE | DRAWING NO | RESTRICTED TO |
| - | | - | - | A3 | 00779 | C-849055 | - |
| CUSTOMER DRAWING | | | WEIGHT | SCALE | SHEET | REV | |
| - | | | - | 4:1 | 1 OF 1 | B | |

单击下面可查看定价，库存，交付和生命周期等信息

[>>TE Connectivity\(泰科\)](#)