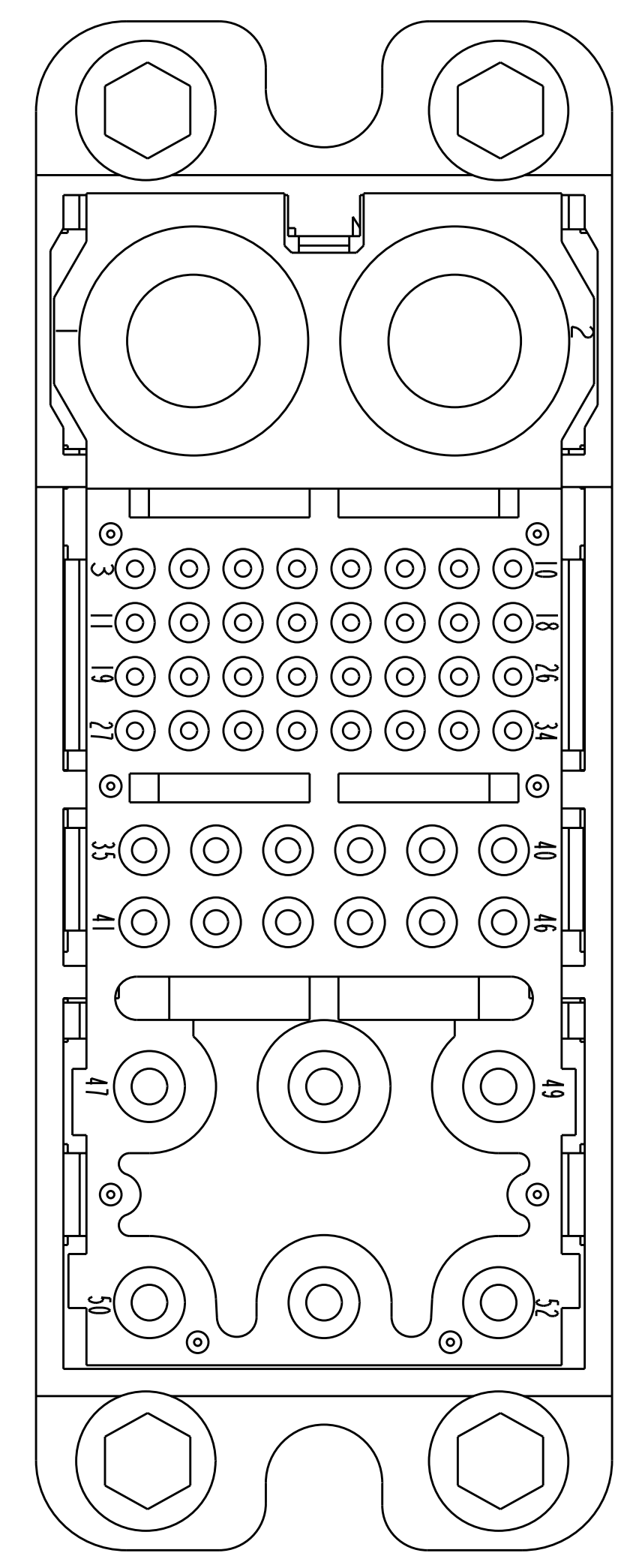
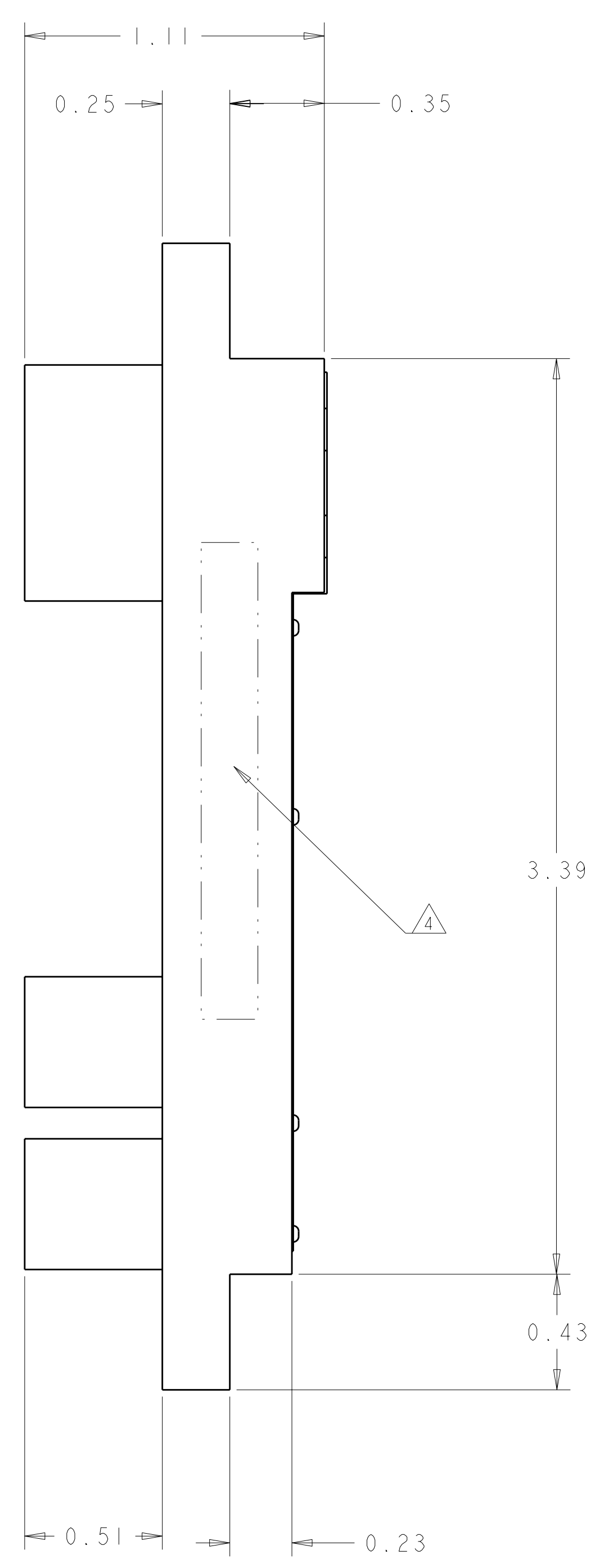
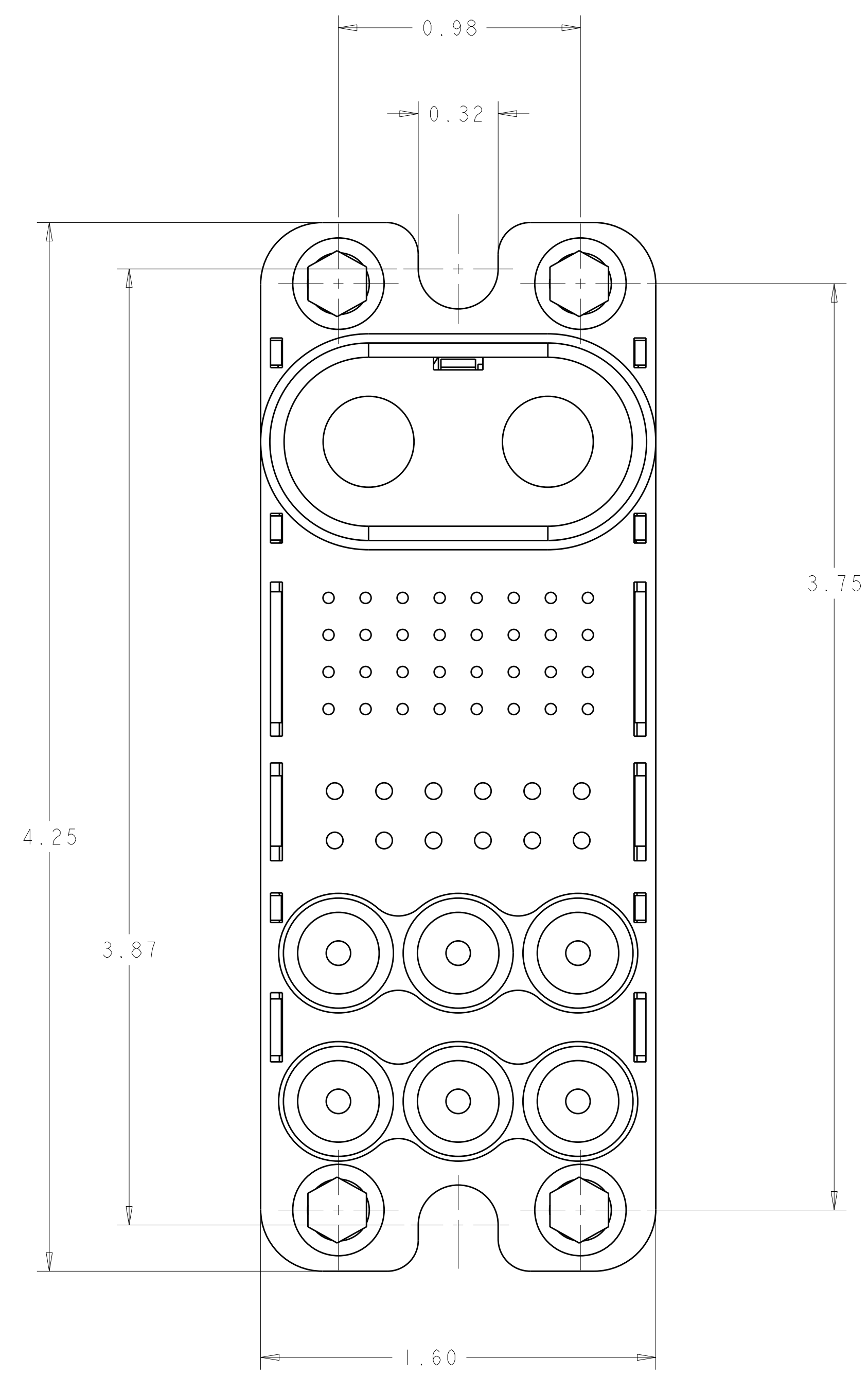


LOC	DIST	REVISIONS					
GP	00	P	LTB	DESCRIPTION	DATE	DWN	APVD
		A		RELEASED	20FEB2008	RG	DO
		B		REV PER ECO-09-010463	30APR2009	RG	DO

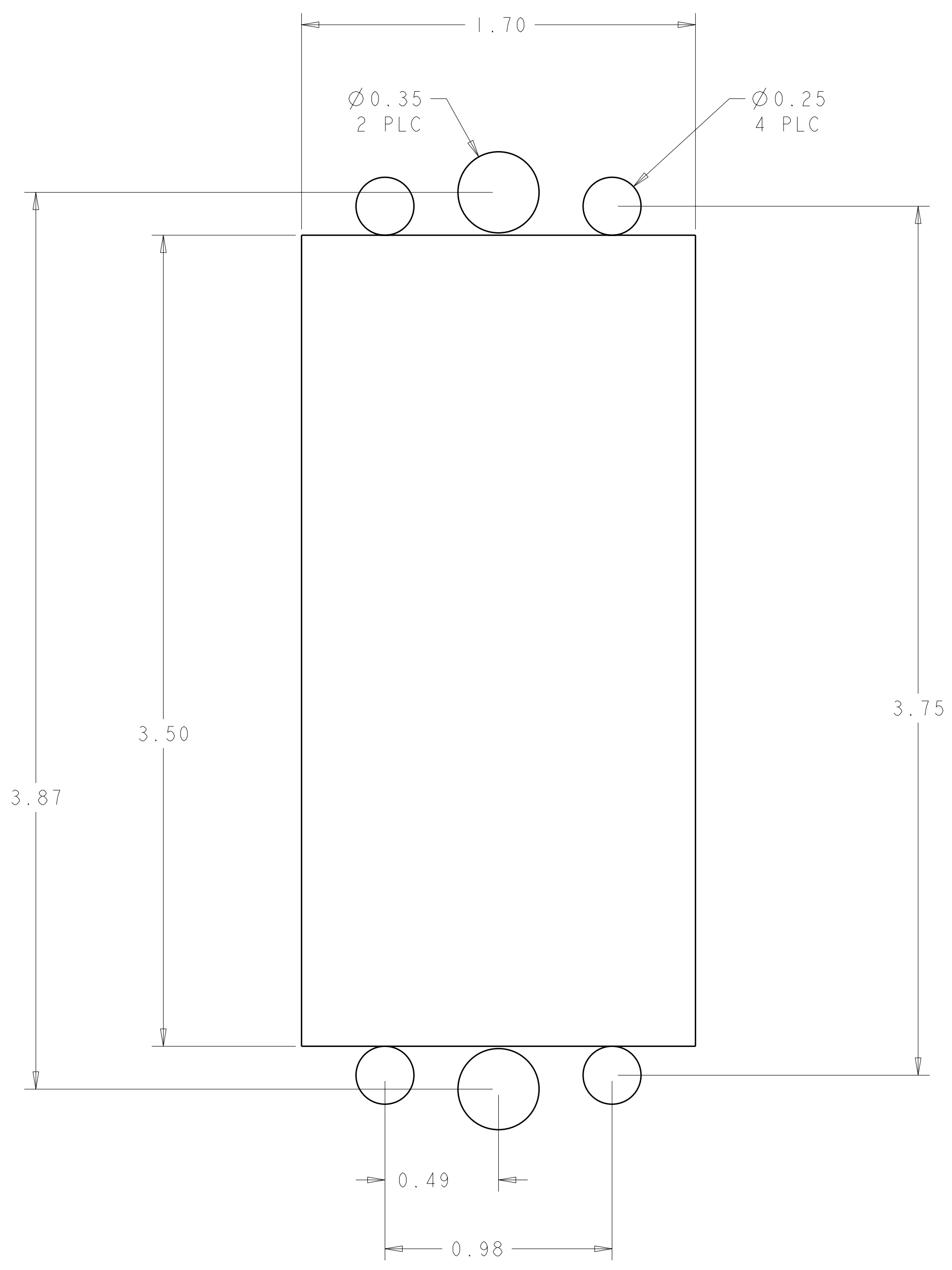


2	1650399-1	SHOULDER SCREW, #10-32 UNF 2A	E
4	1766193-1	CONTACT, PIN, #12, CRIMP, STD	D
8	1766194-1	CONTACT, PIN, #16, CRIMP, STD	C
30	1650155-1	CONTACT, PIN, #20, CRIMP, STD	B
1	1648183-2	CONNECTOR, PIN	A
-1	PART NUMBER	DESCRIPTION	ITEM

DIMENSIONS: INCHES 		TOLERANCES UNLESS OTHERWISE SPECIFIED: 9 PLC ±. 1 PLC ±.02 2 PLC ±.010 4 PLC ±. ANGLES ±.5		DWN R. GRZYBOWSKI 6FEB2008 CHK D. ORRIS 6FEB2008 APVD S. FLICKINGER 6FEB2008		Tyco Electronics Harrisburg, PA 17105-3608	
MATERIAL: - FINISH: -		WEIGHT: - CUSTOMER DRAWING		NAME: CONNECTOR, PIN TOP DRAWER SIZE: A 00779 C=1926770 SCALE: 4:1 SHEET 1 OF 2 REV B		RESTRICTED TO: -	

ELCON DRAWER

LOC	DIST	REVISIONS			
P	LTR	DESCRIPTION	DATE	DWN	APVD
GP	00	SEE SHEET 1	-	-	-



SUGGESTED PANEL CUTOUT
 VIEWED FROM CONNECTOR MOUNTING SIDE

- PART NUMBER CHANGES AND OR DESIGN CHANGES AFFECTING THE INTERCHANGEABILITY REQUIRE PRIOR TYCO APPROVAL AND AUTHORIZATION BY REVISION TO THIS DRAWING.
- MATERIAL:
 INSULATOR: THERMOPLASTIC, GLASS REINFORCED, FLAMMABILITY RATED, COLOR: BLACK
 PIN CONTACT: COPPER ALLOY
 RETENTION CLIP: BERYLLIUM COPPER OR STAINLESS STEEL
- FINISH:
 PIN CONTACT SIZE No. 20: GOLD PLATE .000010 MIN. THK. OVER NICKEL .000050 MIN. THK.
 PIN CONTACT SIZE No. 12 & 16: SILVER PLATE .000200 MIN THK. OVER NICKEL .000040 MIN THK.

△ ITEMS PROVIDED TO THIS SPECIFICATION TO BE PERMANENTLY IDENTIFIED PER THE FOLLOWING IDENTIFIER:



△ CRIMP CONTACTS, SHOULDER SCREWS (ITEM B, C, D & E) SHALL BE PACKAGED SEPARATELY AND PLACED IN THE BOX WITH THE CONN. ASSEMBLY.

<small>THIS DRAWING IS UNPUBLISHED. RELEASED FOR PUBLICATION BY TYCO ELECTRONICS CORPORATION. ALL RIGHTS RESERVED.</small>		DWN R. GRZYBOWSKI 6FEB2008 CHK D. ORRIS 6FEB2008 APVD S. FLICKINGER 6FEB2008	Tyco Electronics Harrisburg, PA 17105-3608
DIMENSIONS: INCHES	TOLERANCES UNLESS OTHERWISE SPECIFIED: 0 PLC ±.02 1 PLC ±.02 2 PLC ±.02 3 PLC ±.010 4 PLC ±.010 ANGLES ±.5	NAME CONNECTOR, PIN TOP DRAWER	RESTRICTED TO
MATERIAL: - FINISH: -	WEIGHT: - CUSTOMER DRAWING	SIZE: A 00779 C=1926770 SCALE: 4:1	SHEET 2 OF 2 REV B

单击下面可查看定价，库存，交付和生命周期等信息

[>>TE Connectivity\(泰科\)](#)