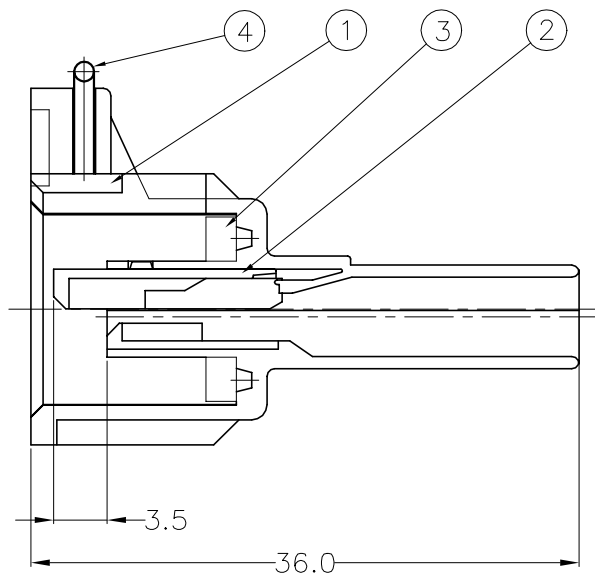
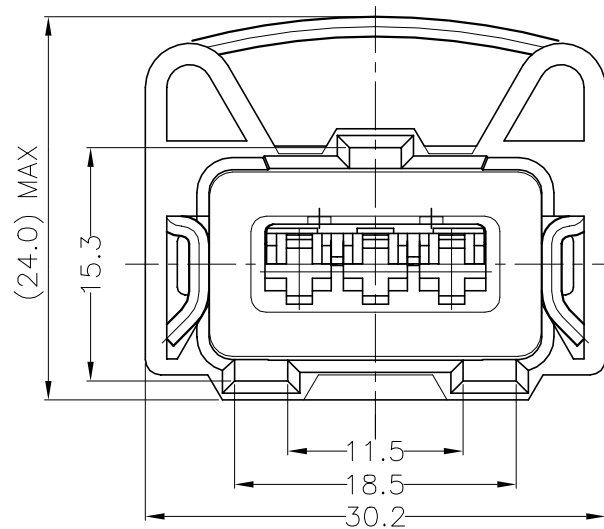
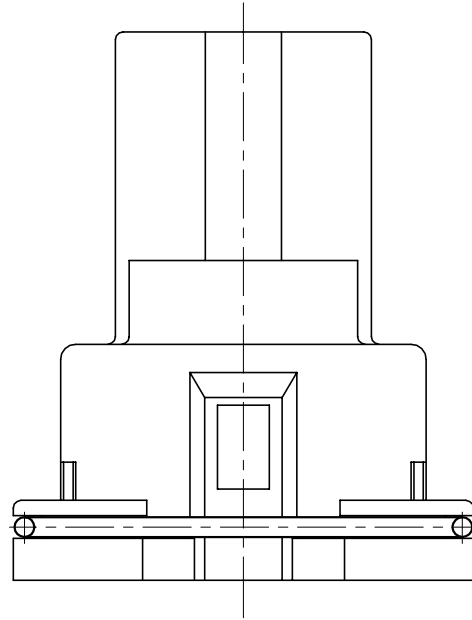


REVISIONS

P	LTR	DESCRIPTION	DATE	DWN	APVD
	C1	REVISED	ECR-20-006447	31AUG2020	PSJ SPB



* NOTES *

1. APPLICABLE CONTACT P/N : 927770 / 927766
2. APPLICABLE WIRE SEAL P/N : 828904/828905/368064
3. APPLICABLE PRODUCT SPEC : 108-61000

NO	P/N	DESCRIPTION	MATERIAL	COLOR	REQUIRED QTY
4	85388-1	↑ SPRING	SUS 304		1
3	85384-1	↑ SEAL RUBBER	SILICONE	ORANGE	1
2	85207-1	↑ SPACER	PBT	YELLOW	1
1	ⓑ 85197-3	Jr POWER TIMER 3P HSG 'R' TYPE	PBT 30% GF	BLUE	1
1	85197-2	Jr POWER TIMER 3P HSG 'R' TYPE	PBT 30% GF	DARK GRAY	1
1	85197-1	Jr POWER TIMER 3P HSG 'R' TYPE	PBT 30% GF	BLACK	1

P/N	DESCRIPTION
85196-1	Jr POWER TIMER 3P ASS'Y
85196-2	Jr POWER TIMER 3P ASS'Y
85196-3	Jr POWER TIMER 3P ASS'Y

OBSOLETE

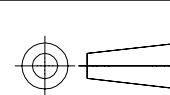
THIS DRAWING IS A CONTROLLED DOCUMENT.

DWN	YD LEE
CHK	BM JANG
APVD	CS LEE
PRODUCT SPEC	-
APPLICATION SPEC	-
WEIGHT	6.2 g



JPT 3P ASS'Y (REVERSE TYPE)

TOLERANCES UNLESS OTHERWISE SPECIFIED:
 0 <XX<10 ± 0.2
 10<XX<30 ± 0.25
 30<XX ± 0.3
 ANGLES ± 3'



TOLERANCES UNLESS OTHERWISE SPECIFIED:	
0 PLC	± -
1 PLC	± -
2 PLC	± -
3 PLC	± -
4 PLC	± -
ANGLES	± -

MATERIAL	-
FINISH	-

NAME	JPT 3P ASS'Y (REVERSE TYPE)		
SIZE	CAGE CODE	DRAWING NO	RESTRICTED TO
A3	00779	Ⓒ=85196	-
CUSTOMER DRAWING		SCALE	SHEET
		FREE	1 of 1
		REV	C1

单击下面可查看定价，库存，交付和生命周期等信息

[>>TE Connectivity\(泰科\)](#)