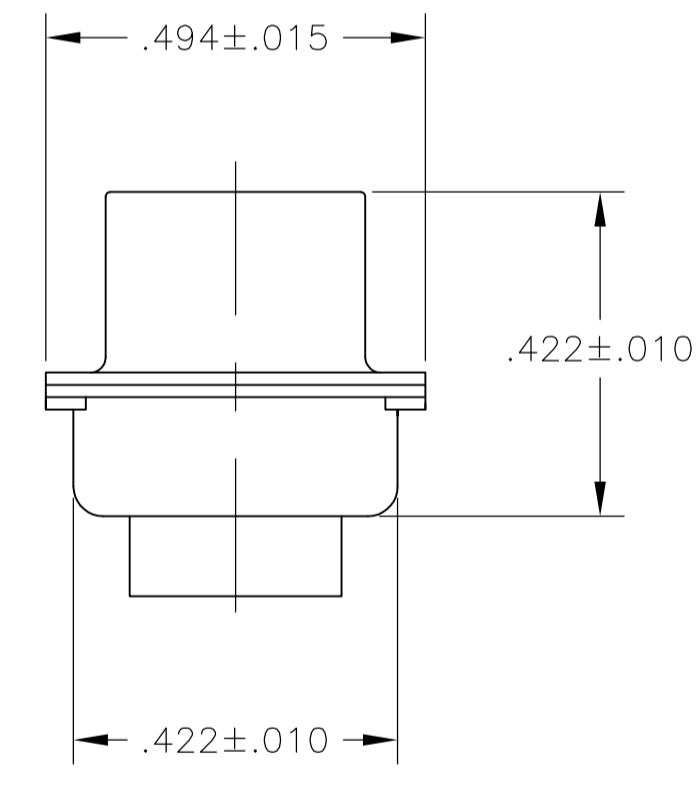
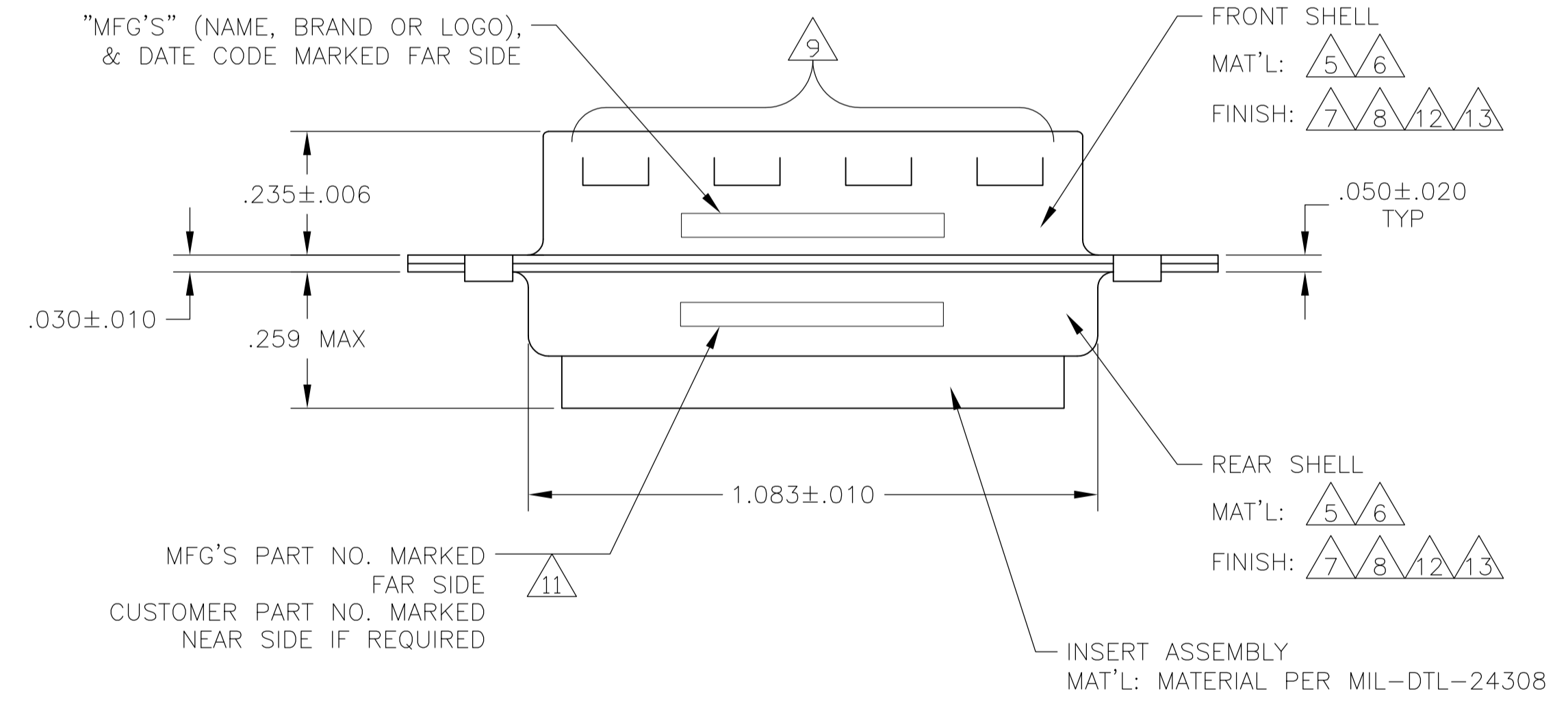
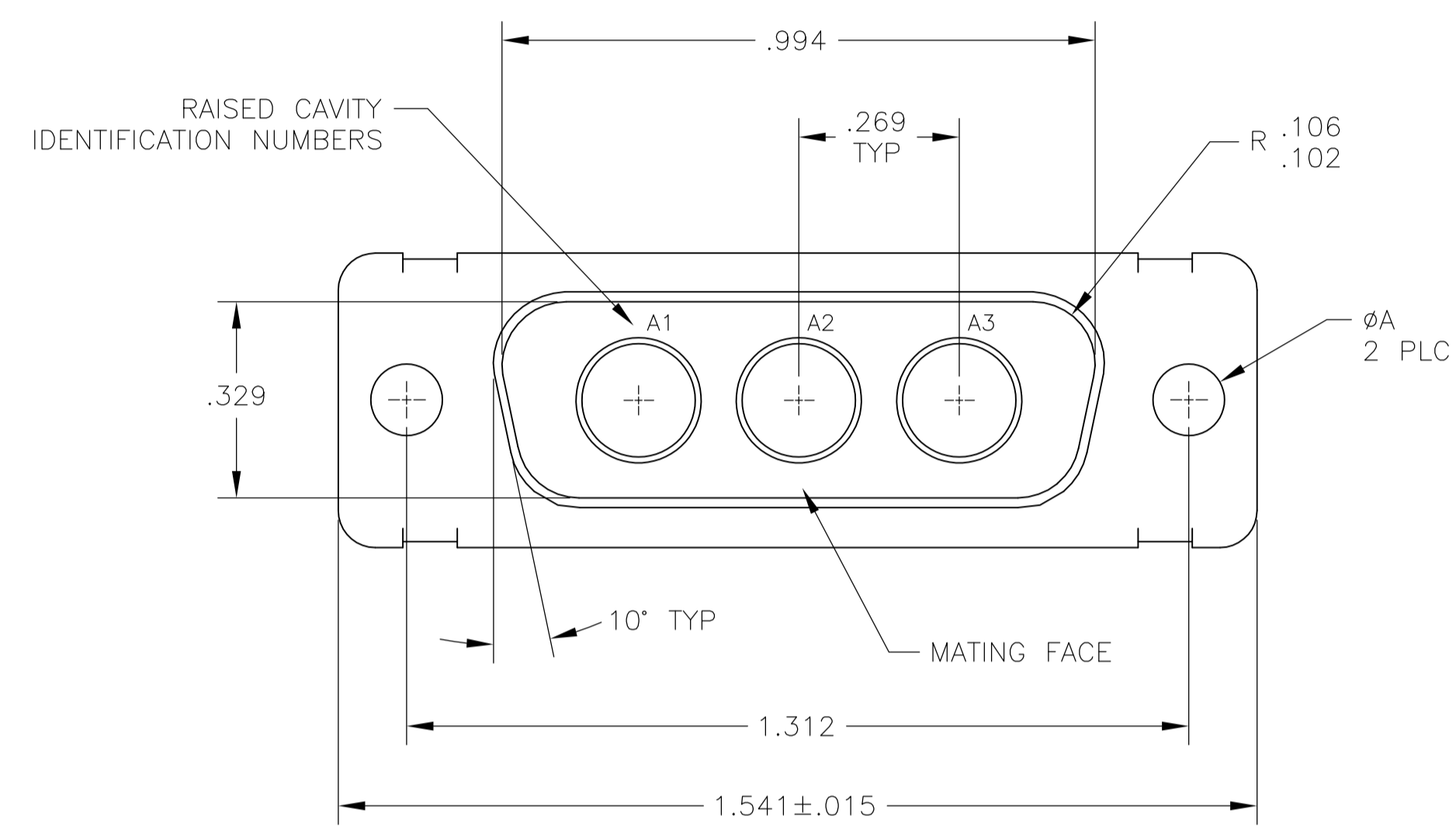


REVISONS		DATE	DNW	APVD
LOC	DIST	DESCRIPTION		
T		REVISED PER ECO-15-016251	13NOV15	KG CD



- THIS PLUG WILL MATE WITH ANY 3C3, SIZE 2 RECEPTACLE IN AMPLIMITE SERIES.
- THIS PLUG IS DESIGNED TO CONFORM TO THE LATEST ISSUE OF MIL-C-24308.
- THIS CONNECTOR ACCEPTS (3) POWER 8, OR COAX PIN CONTACTS IN POSITIONS A1 THRU A3, PURCHASED SEPARATELY.
- RAISED NUMBERS FOR IDENTIFICATION OF CIRCUIT HOLES.
- STEEL PER ASTM-A-109.
- BRASS PER MIL-C-50 AND ASTM-B-36 UNS NO. C26000.
- CADMIUM PLATED PER QQ-P-416.
- GOLD PLATED PER MIL-G-45204 TYPE II, GRADE C, CLASS 1 OVER COPPER PER MIL-C-14550, CLASS IV.
- GROUNDING INDENTS FOR 448153-4 & 5-448153-4 ONLY.
- "MFG'S" (NAME, BRAND OR LOGO) AND DATE CODE INK STAMPED ON FRONT SHELL, FAR SIDE. MFG'S PART NUMBER INK STAMPED ON REAR SHELL, FAR SIDE. FAR SIDE REFERS TO WIDE SIDE OF KEYSTONE.
- CUSTOMER PART NUMBER MAY BE SPLIT BETWEEN FRONT AND REAR SHELL, NEAR SIDE.
- FINISH: TIN PER ASTM-B-545 .000400 MIN THK OVER COPPER PER AMS2418 .000050 MIN THK.
- FINISH: ZINC PLATE PER ASTM-B-633 .000200-.000400 THK WITH SUPPLEMENTARY CHROMATE (Cr3+).

REMARKS	ØA	CUSTOMER PART NO.	PART NO.
5 7	.120 [3.05]	T5935-0103-002	448153-7
12 10 5 9	.120 [3.05]	-	5-448153-4
5 13	.120 [3.05]	-	5-448153-1
6 8	.120 [3.05]	B010942-0013	448153-5
12 10 5 9	.120 [3.05]	-	448153-4
6 8	.154 [3.91]	311P405-7P-B-15	448153-3
6 8	.120 [3.05]	311P405-7P-B-12	448153-2
5 7	.120 [3.05]	-	448153-1

THIS DRAWING IS A CONTROLLED DOCUMENT.

MANJUNATH G.M. 27-May-15
 CHARLES THOMAS 27-May-15
 CHARLES THOMAS 27-May-15

APVD: CHARLES THOMAS
 NAME: PLUG ASSEMBLY
 PRODUCT SPEC: AMPLIMITE 3C3
 APPLICATION SPEC: SIZE 2, SERIES 109, COAX

SIZE: A1
 CAGE CODE: 00779
 DRAWING NO: 448153

WEIGHT: -
 CUSTOMER DRAWING

SCALE: 4:1
 SHEET: 1 OF 1
 REV: T

单击下面可查看定价，库存，交付和生命周期等信息

[>>TE Connectivity\(泰科\)](#)