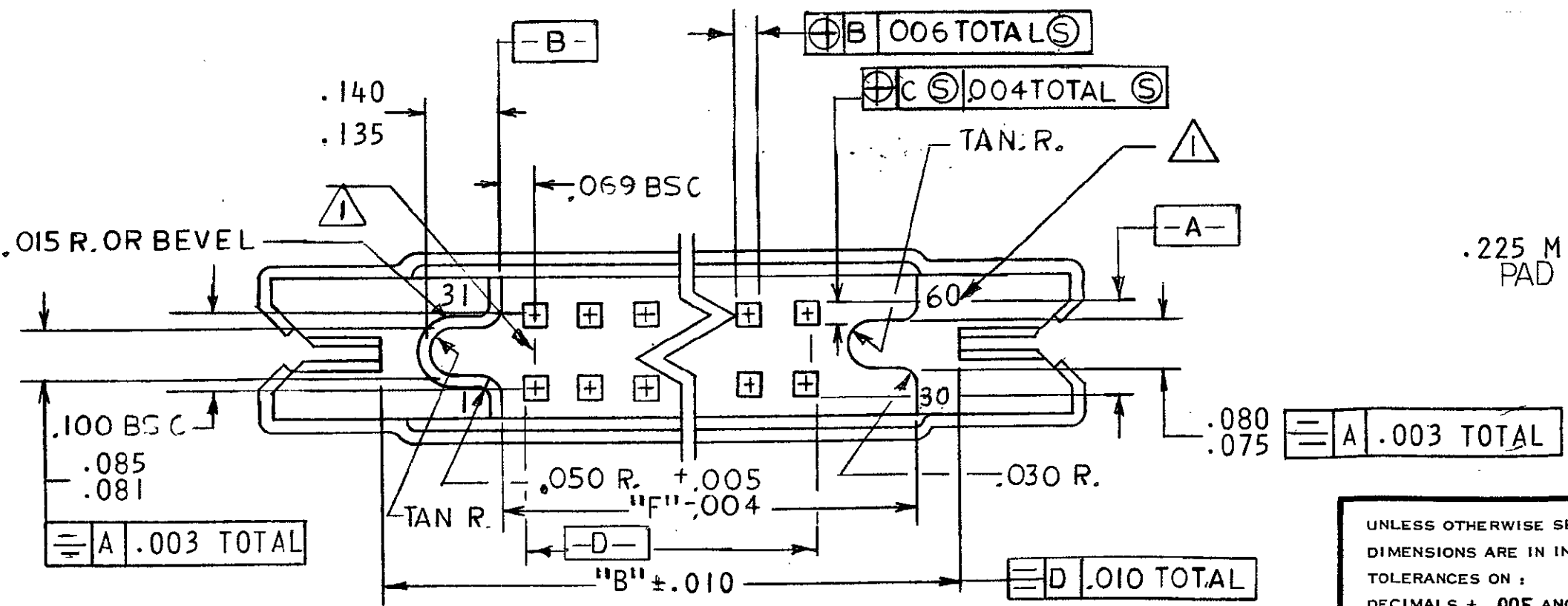
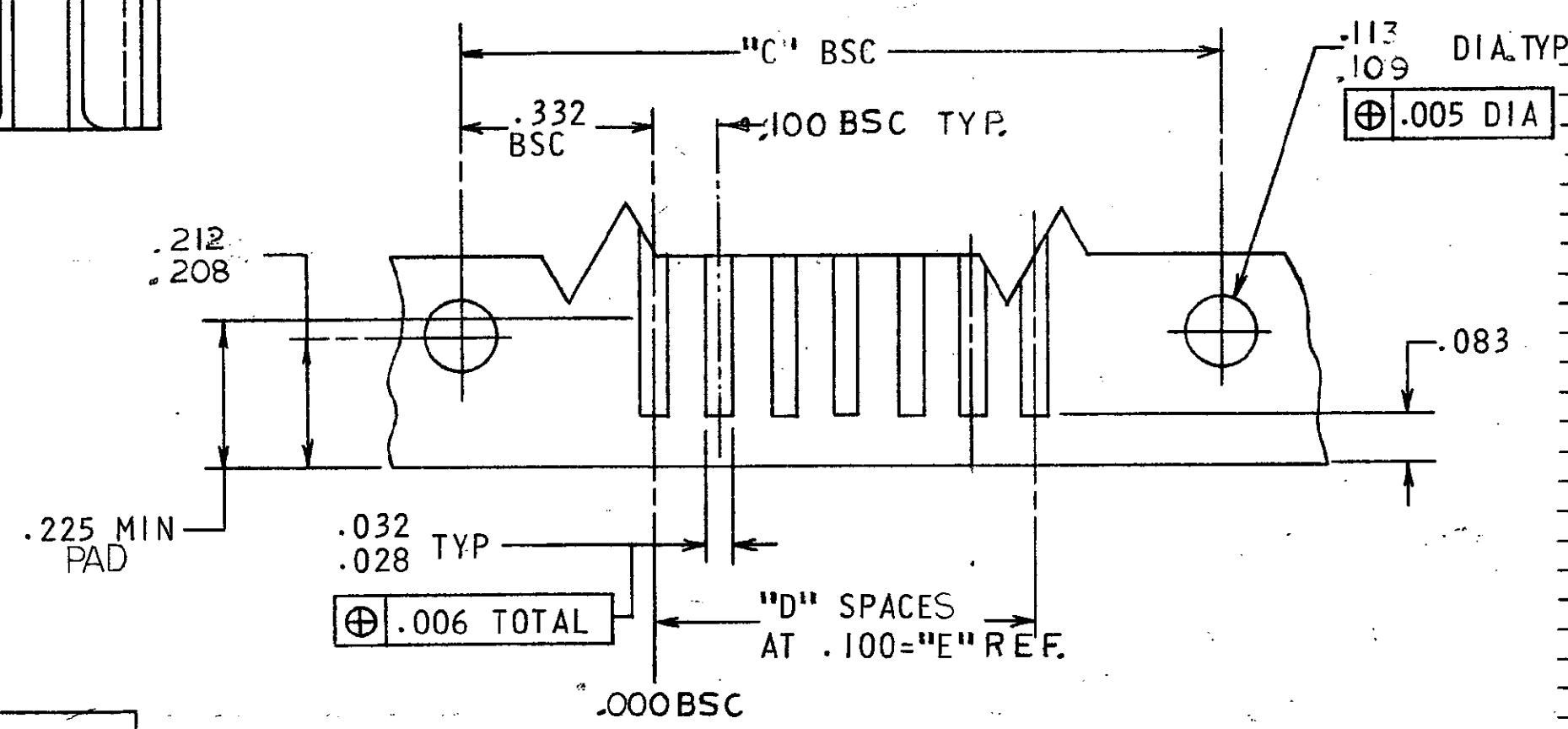
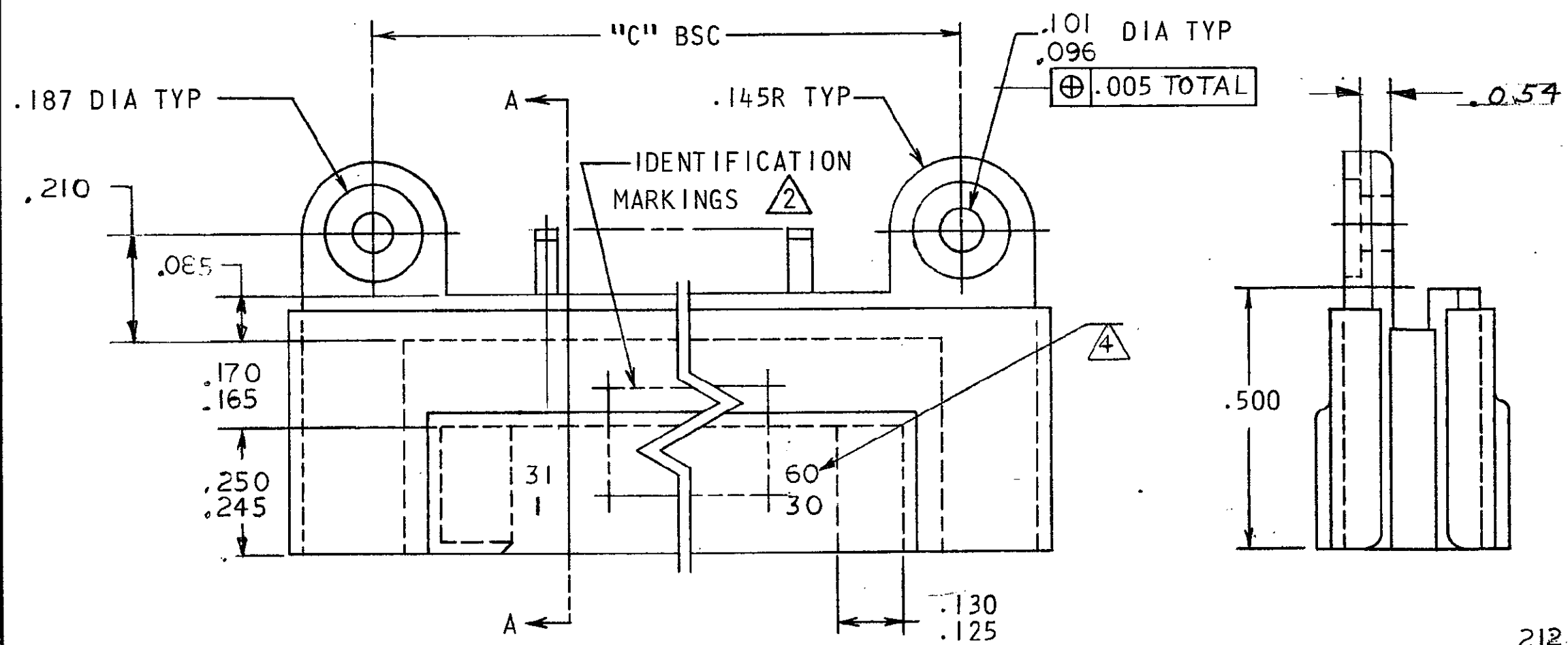
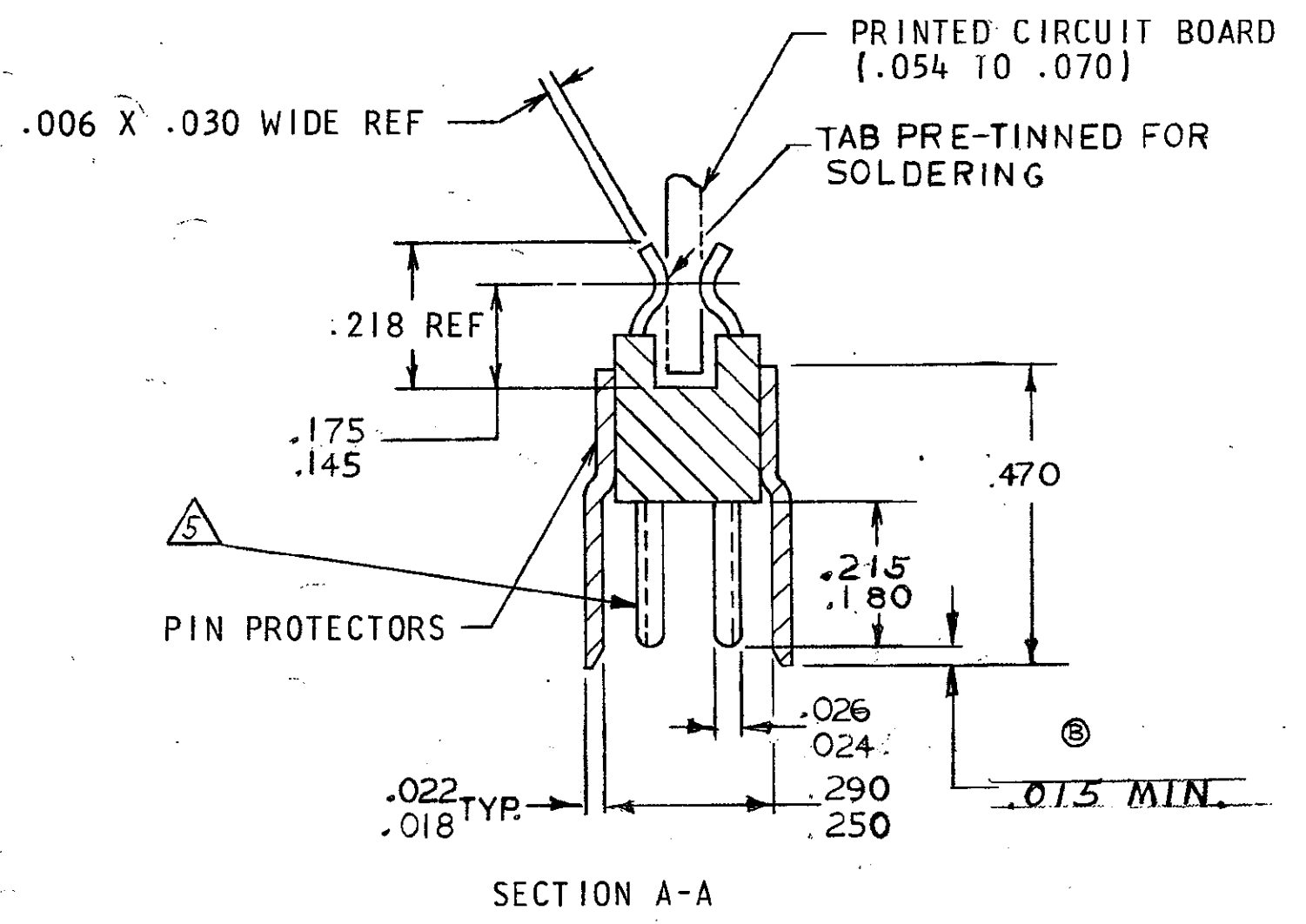
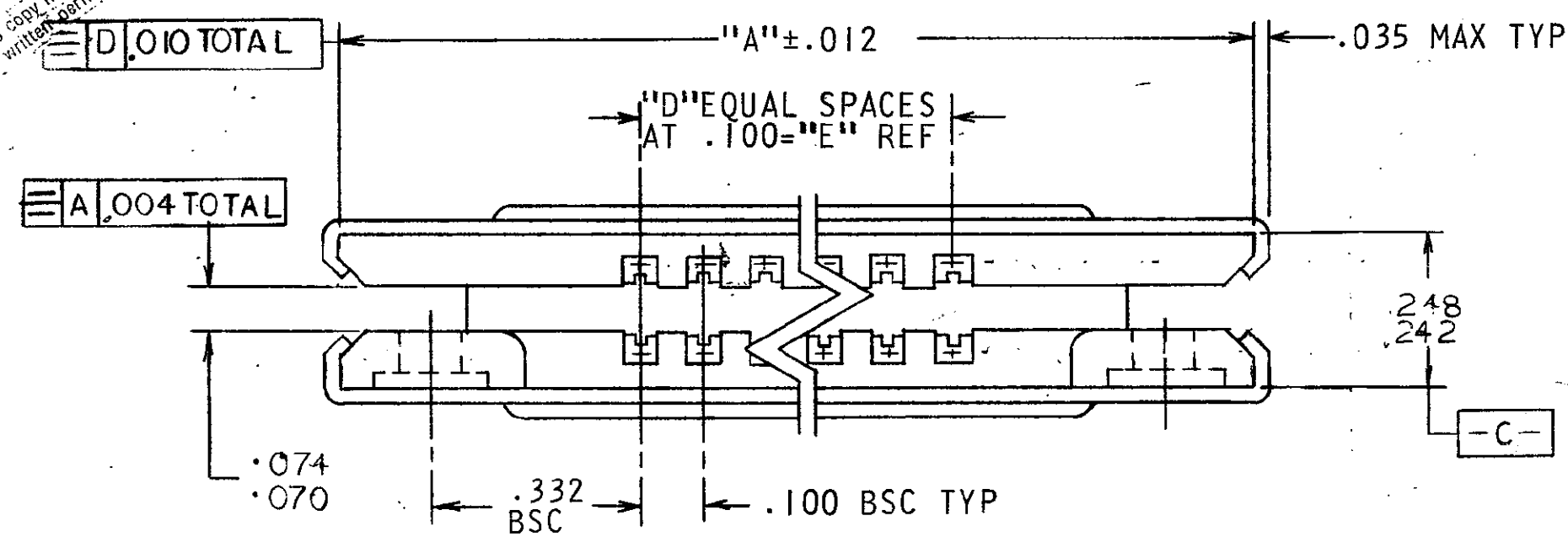


© 19 BY AMP INCORPORATED. ALL RIGHTS RESERVED. AMP PRODUCTS COVERED BY PATENTS AND/OR PATENTS PENDING.

REVISIONS				
ZONE	LTR	DESCRIPTION	DATE	APPROVED
G		ECO-08-020831	PY 10-08	BW

Unpublished copy not to be reproduced without written permission of AMP INCORPORATED



- ① NUMBERS (SEE TABLE) AND LINES INDICATING EVERY FIVE CAVITIES MARKED ON MATING FACE.
- ② IDENTIFICATION MARKING PER MIL-C-55302 (SEE TABLE)
- ③ MUST MEET ALL APPLICABLE REQUIREMENTS OF MIL-C-55302
- ④ NUMBERS INDICATING EVERY FIVE CAVITIES MARKED ON SIDE

UNLESS OTHERWISE SPECIFIED, DIMENSIONS ARE IN INCHES TOLERANCES ON: DECIMALS $\pm .005$ ANGLES \pm		CONTRACT NO.		AMP INCORPORATED HARRISBURG, PENNSYLVANIA	
MATERIAL		DR	<i>J. H. W...</i>	3/15/71	NAME BOX CONNECTOR PIN HEADER (.100 GRID)
		CHK	<i>J. S. He...</i>	3/18/71	
		APPD	<i>D. P...</i>	3/24/71	
		REL	<i>R. Sh...</i>	3-24-71	
OTHER APPD		SIZE	CODE IDENT NO.	NUMBER	REV
		C	00779	583706	G
		SCALE	4:1		SHEET 1 OF 2

CUSTOMER DRAWING

ASSEMBLY NUMBER	NO. OF CONTACTS	DIMENSIONS						CONTACT IDENT.	IDENTIFICATION MARKING
		A	B	C	D	E	F		
583706 -1	50	3.355	2.955	3.065	24	2.400	2.675	1 - 25 26 - 50	M55302/ 26 -01
583706 -2	60	3.855	3.455	3.565	29	2.900	3.175	1 - 30 31 - 60	M55302/ 26 -02
583706 -3	80	4.855	4.455	4.565	39	3.900	4.175	1 - 40 41 - 80	M55302/ 26 -03
583706 -4	90	5.355	4.955	5.065	44	4.400	4.675	1 - 45 46 - 90	M55302/ 26 -04
583706 -5	100	5.855	5.455	5.565	49	4.900	5.175	1 - 50 51 - 100	M55302/ 26 -05
583706 -6	110	6.355	5.955	6.065	54	5.400	5.675	1 - 55 56 - 110	M55302/ 26 -06
583706 -7	30	2.355	1.955	2.065	14	1.400	1.675	1 - 15 16 - 30	M55302/ 26 -07
583706 -8	40	2.855	2.455	2.565	19	1.900	2.175	1 - 20 21 - 40	M55302/ 26 -08
583706 -9	70	4.355	3.955	4.065	34	3.400	3.675	1 - 35 36 - 70	M55302/ 26 -09

OBSOLETE

OBSOLETE

OBSOLETE

OBSOLETE

OBSOLETE


OBSOLETE

OBSOLETE

OBSOLETE

OBSOLETE

△ .000050 GOLD IN THE CONTACT AREA, .000100 TIN-LEAD ON TAILS OVER .000050 NICKEL THE ENTIRE CONTACT.

UNLESS OTHERWISE SPECIFIED, DIMENSIONS ARE IN INCHES TOLERANCES ON : DECIMALS ± .005 ANGLES ± —	CONTRACT NO.		 AMP INCORPORATED HARRISBURG, PENNSYLVANIA			
	DR	J. H. Wenzel 3/12/71				
	CHK	D. S. Heide 3/18/71				
	APPD	D. P. Pappas 3/24/71				
	REL	R. Skouman 3-24-71				
MATERIAL	DSGN APPD	OTHER APPD	SIZE	CODE IDENT NO.	NUMBER	REV
			C	00779	583706	G
			SCALE	SHEET 2		

单击下面可查看定价，库存，交付和生命周期等信息

[>>TE Connectivity\(泰科\)](#)