

REVISIONS					
P	LTR	DESCRIPTION	DATE	DWN	APVD
AA1		ECO-21-006679	16JUN2021	RK	AS

- FOR ADDITIONAL SPECIFICATIONS SEE AMP PRODUCT SPEC 108-7519.
- SWITCH HAS MAKE-BEFORE-BREAK OPERATION.
- ALL CHARACTERS AND ROCKERS ARE WHITE, HOUSING IS BLACK.
- LASER MARK WILL VARY ON 2 POSITION SIDES DUE TO SPACE RESTRICTIONS.
- $\triangle 5$.315 DIMENSION APPLIES AT TERMINAL TIPS. TERMINALS ARE $.300^{+.010}_{-.000}$ AT MOUNTING SURFACE.
- SWITCH POSITIONS ARE CLOSED WHEN ROCKERS ARE DOWN TOWARD DOTS.
- $\triangle 7$ ALL MATERIALS AND FINISHES SHALL COMPLY WITH EU DIRECTIVE 2002/95/EC OF 27JAN2003 (ROHS).
- $\triangle 8$ OBSOLETE PARTS: OBSOLETE CIS STREAMLINING PER D.RENAUD/D.SINISI
- MARKS WILL BE ADDED BY LASER MARK PROCESS.

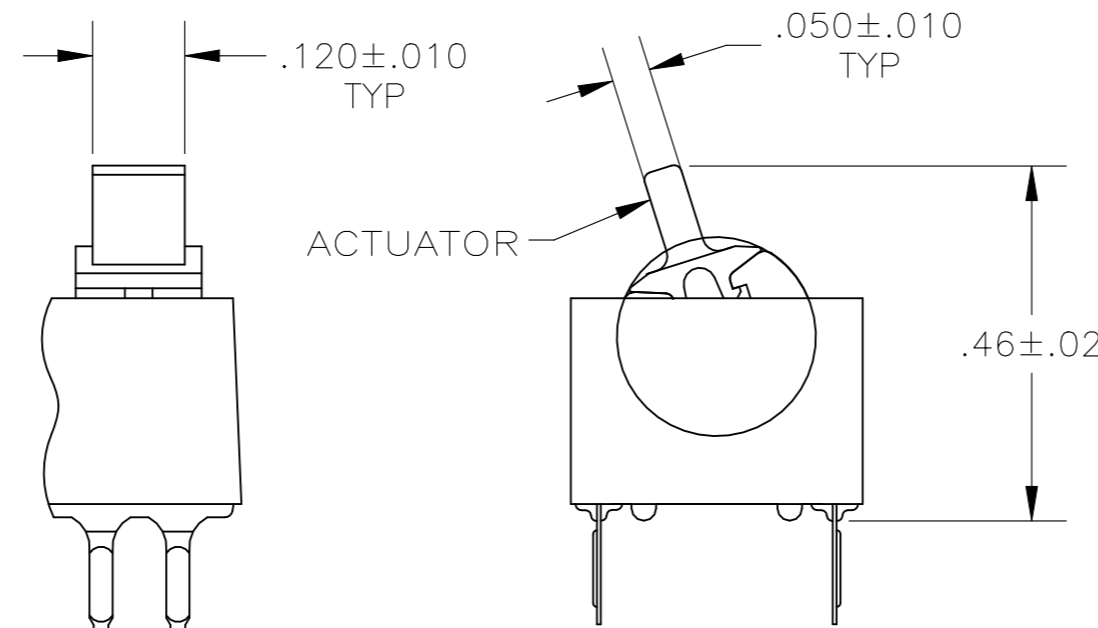
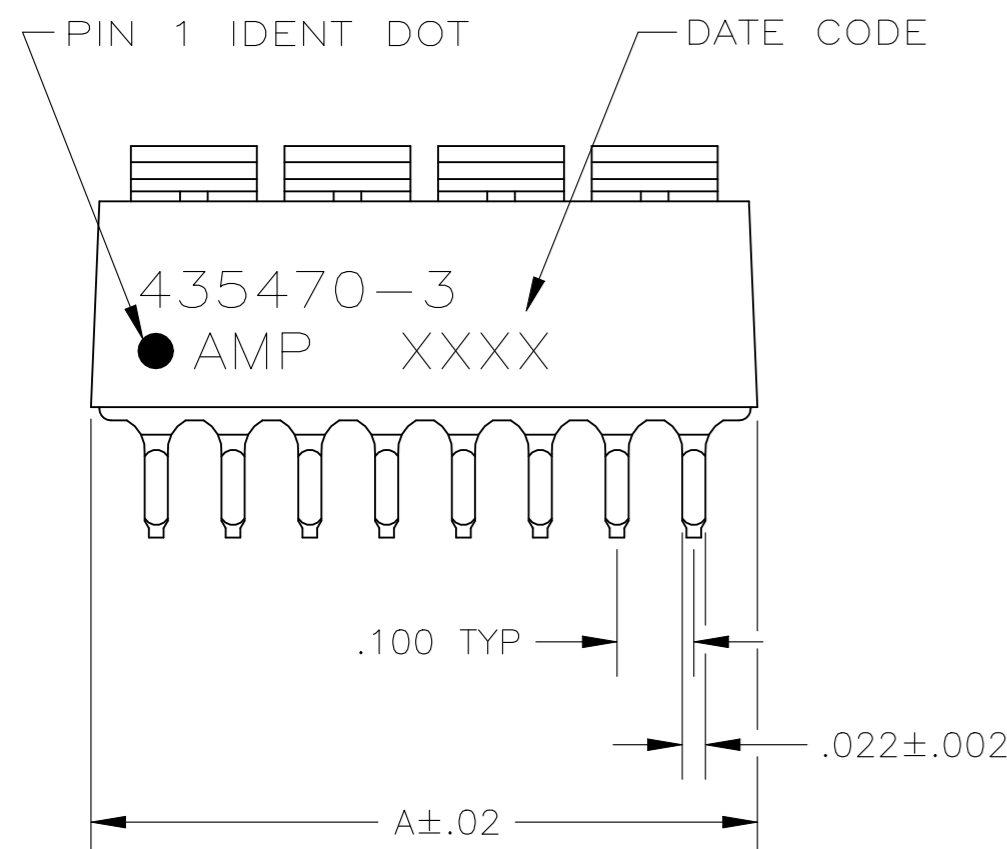
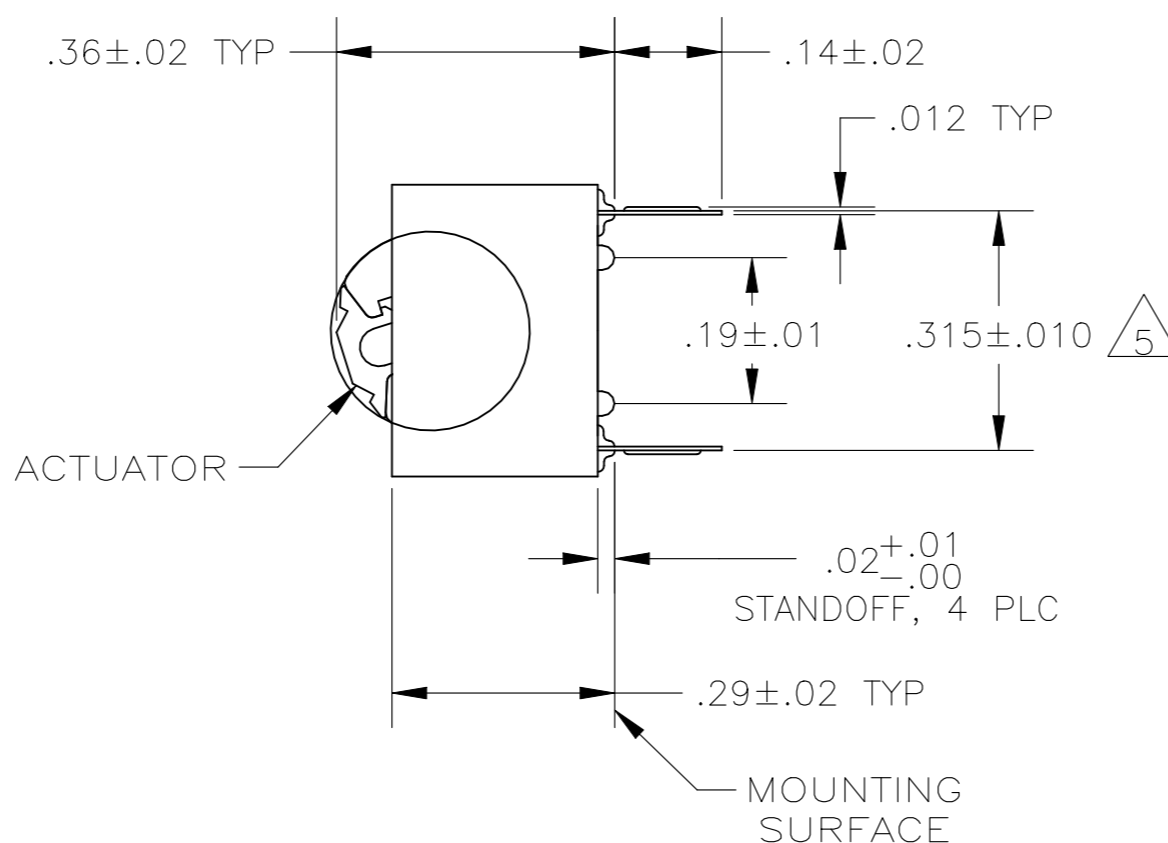
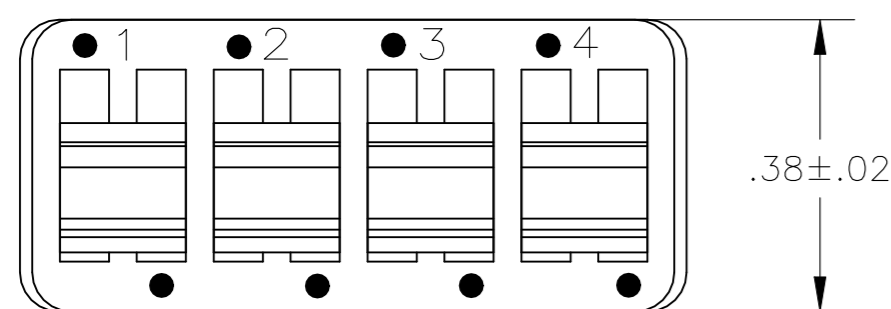


FIGURE 1 LEVER ACTUATOR SHOWN

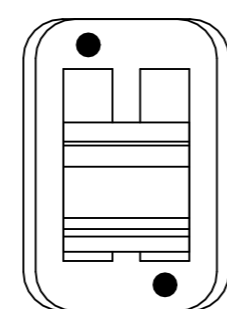
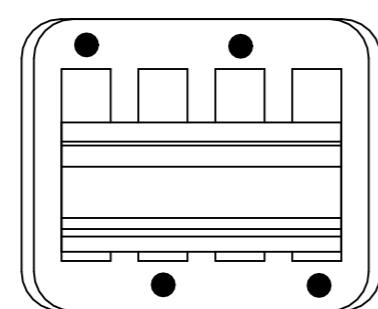
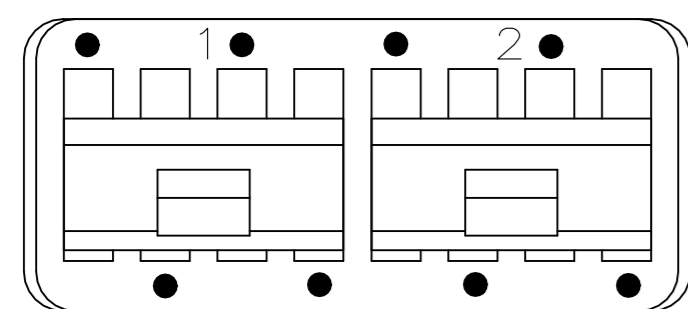
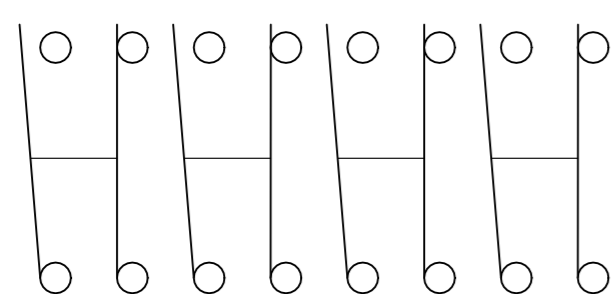


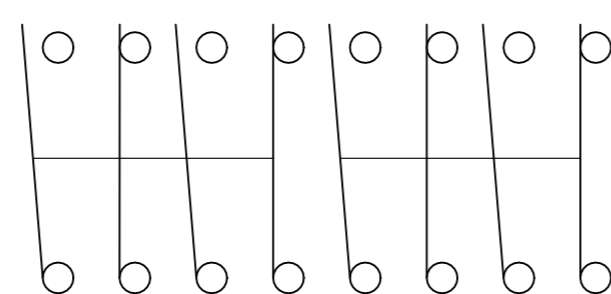
FIGURE 2

FIGURE 3

FIGURE 4



SPDT



DPDT

CONTACT ARRANGEMENT

	FIG 1	FIG 3	.48	DPDT	4	8-435470-1	$\triangle 8$
OBSOLETE	-FIG 1	AS SHOWN	1.28	SPDT	12	7-435470-6	$\triangle 8$
	-FIG 1	AS SHOWN	1.08	SPDT	10	7-435470-5	$\triangle 8$
	-FIG 1	AS SHOWN	.88	SPDT	8	7-435470-4	$\triangle 8$
	-FIG 1	AS SHOWN	.48	SPDT	4	7-435470-2	$\triangle 8$
	FIG 1	FIG 4	.28	SPDT	2	7-435470-1	$\triangle 8$
$\triangle 8$ OBSOLETE	AS SHOWN	FIG 2	.88	DPDT	8	5-435470-9	$\triangle 8$
	AS SHOWN	FIG 4	.28	SPDT	2	5-435470-7	$\triangle 8$
	AS SHOWN	FIG 3	.48	DPDT	4	5-435470-5	$\triangle 8$
	AS SHOWN	AS SHOWN	.88	SPDT	8	5-435470-3	$\triangle 8$
	AS SHOWN	AS SHOWN	.68	SPDT	6	5-435470-2	$\triangle 8$
	AS SHOWN	AS SHOWN	.48	SPDT	4	5-435470-1	$\triangle 8$
OBSOLETE	FIG 1	FIG 2	1.28	DPDT	12	3-435470-3	
SUPERSEDED BY 435470-9	FIG 1	FIG 2	.88	DPDT	8	3-435470-2	
	FIG 1	FIG 3	.48	DPDT	4	3-435470-1	
OBSOLETE	FIG 1	NONE	.88	SPDT	8	2-435470-7	$\triangle 8$
OBSOLETE	-FIG 1	AS SHOWN	1.28	SPDT	12	2-435470-6	$\triangle 8$
	-FIG 1	AS SHOWN	1.08	SPDT	10	2-435470-5	$\triangle 8$
	FIG 1	AS SHOWN	.88	SPDT	8	2-435470-4	$\triangle 8$
OBSOLETE	FIG 1	AS SHOWN	.68	SPDT	6	2-435470-3	$\triangle 8$
OBSOLETE	-FIG 1	AS SHOWN	.48	SPDT	4	2-435470-2	$\triangle 8$
	-FIG 1	FIG 4	.28	SPDT	2	2-435470-1	$\triangle 8$
	AS SHOWN	FIG 2	.88	DPDT	8	435470-9	
SUPERSEDED BY 2-435470-6	AS SHOWN	AS SHOWN	1.28	SPDT	12	435470-8	
	AS SHOWN	FIG 4	.28	SPDT	2	435470-7	
	AS SHOWN	FIG 3	.48	DPDT	4	435470-5	
SUPERSEDED BY 2-435470-5	AS SHOWN	AS SHOWN	1.08	SPDT	10	435470-4	
	AS SHOWN	AS SHOWN	.88	SPDT	8	435470-3	
	AS SHOWN	AS SHOWN	.68	SPDT	6	435470-2	
435470-3 SHOWN	$\triangle 8$ OBSOLETE	AS SHOWN	.48	SPDT	4	435470-1	$\triangle 8$

ACTUATOR	TOP MARKING	A	SWITCH TYPE	NO OF POSN	PART NO
THIS DRAWING IS A CONTROLLED DOCUMENT.					
DWN R.TALLEY 15MAR90		TE Connectivity			
CHK R.MILLER 27MAR90		NAME			
APVD H.LEITER 27MAR90		SWITCH ASSY, DIP, TYPE C, 7000 SERIES, SPDT & DPDT			
PRODUCT SPEC		-			
APPLICATION SPEC		-			
FINISH		WEIGHT		SCALE	
HOUSING & ROCKER: POLYESTER		-		A2 00779	
CONTACTS; BERYLLIUM COPPER		CONTACTS; PLATED .00030 MIN GOLD IN CONTACT AREA OVER .00050 MIN NICKEL		SHEET 1 OF 1	
CUSTOMER DRAWING		SCALE 4:1		REV AA1	

单击下面可查看定价，库存，交付和生命周期等信息

[>>TE Connectivity\(泰科\)](#)