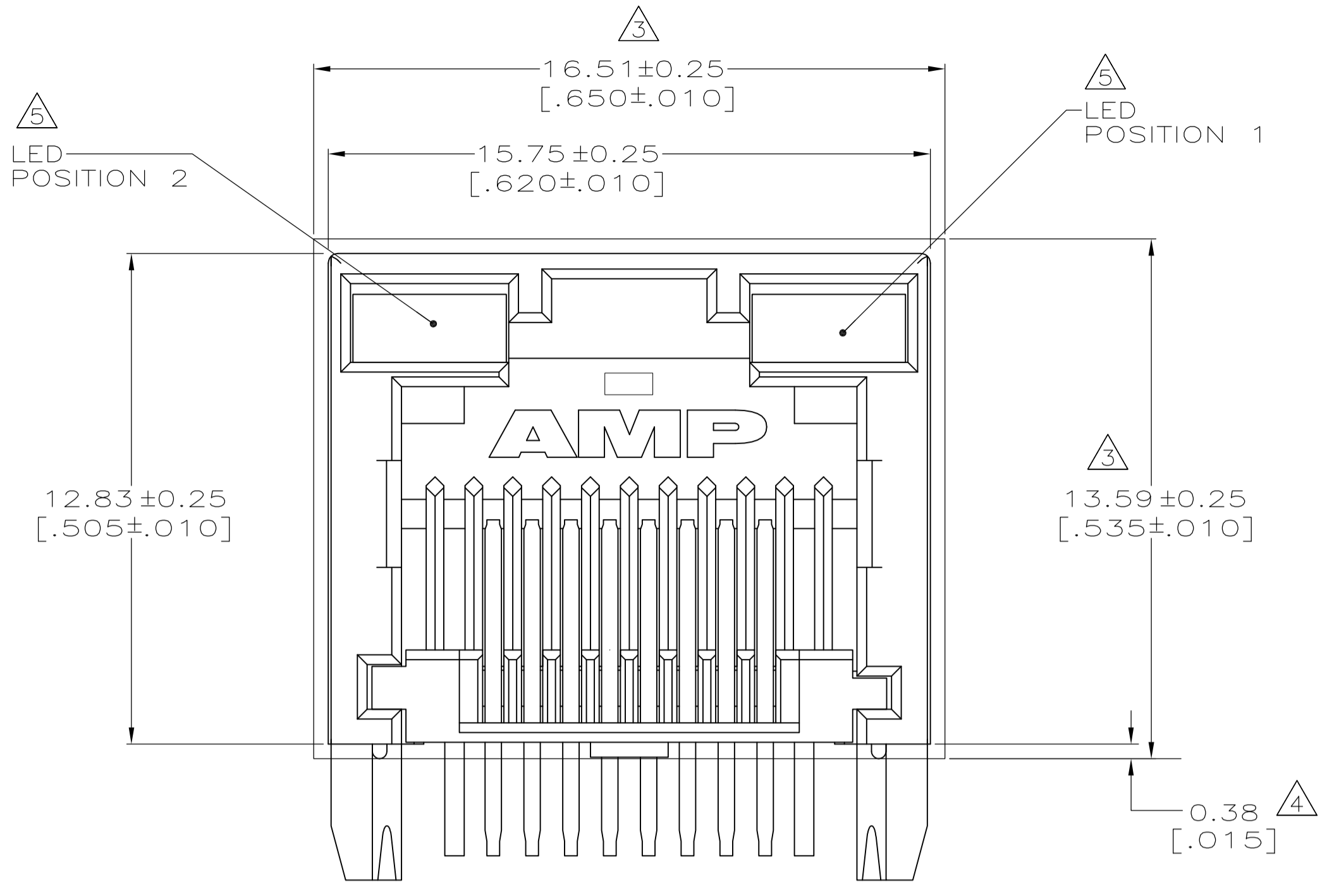
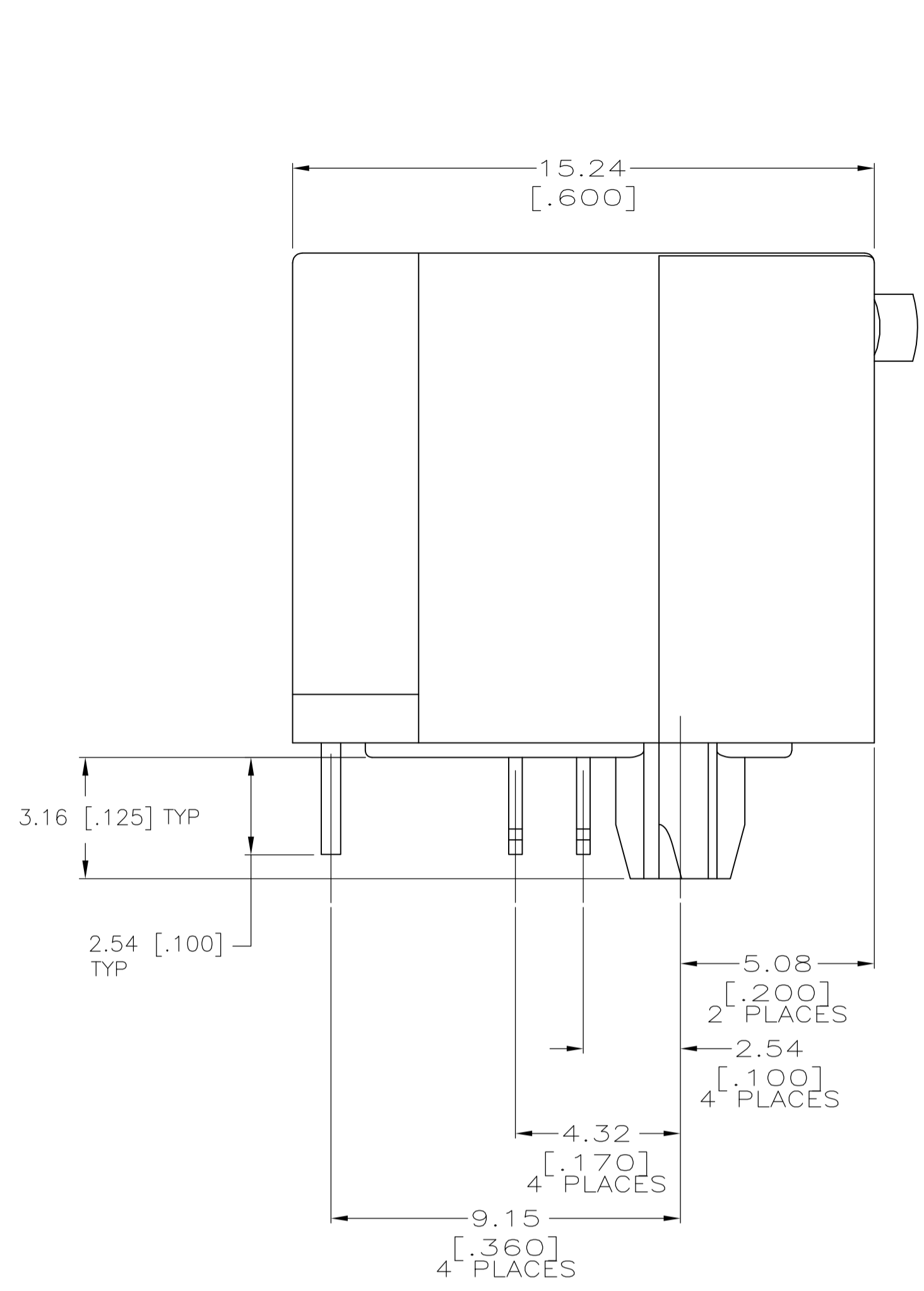
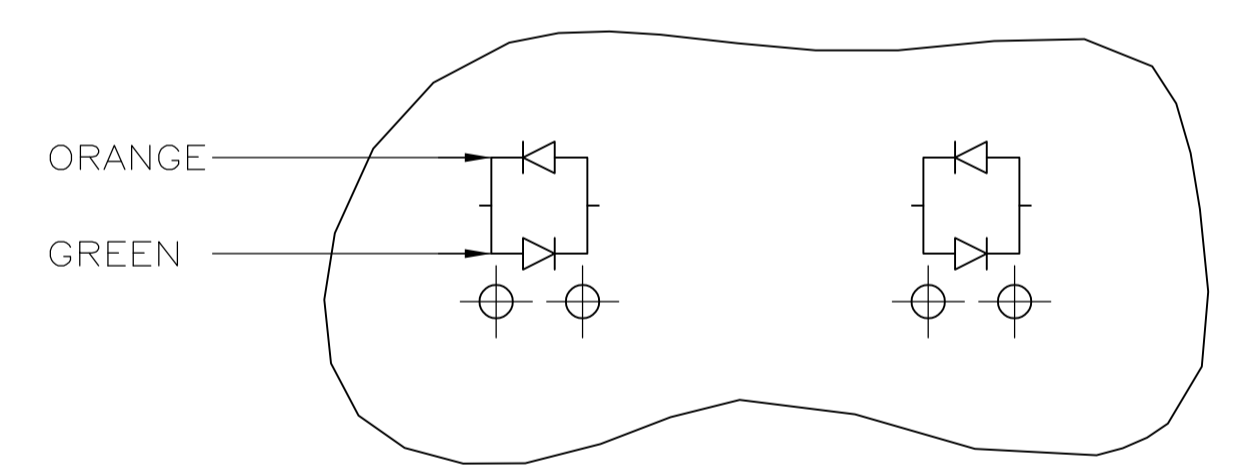


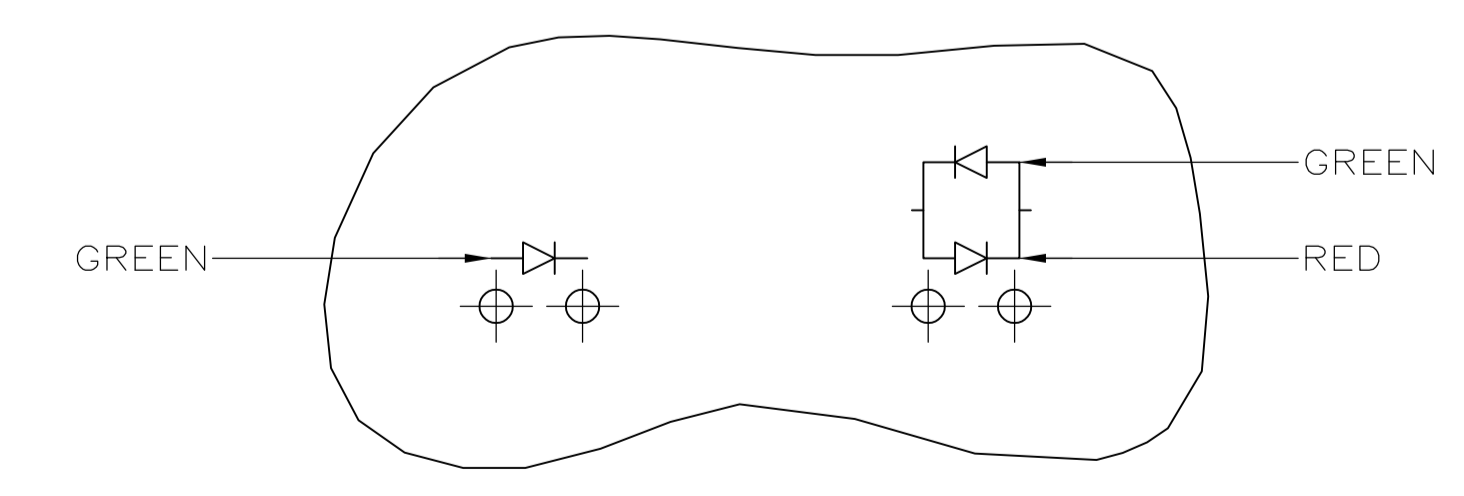
LOC		DIST		REVISIONS			
AA	22	REV	DATE	BY	CHK	APPV	
C2	REVISED PER ECO-11-005033	25MAR11	RK	HMR			



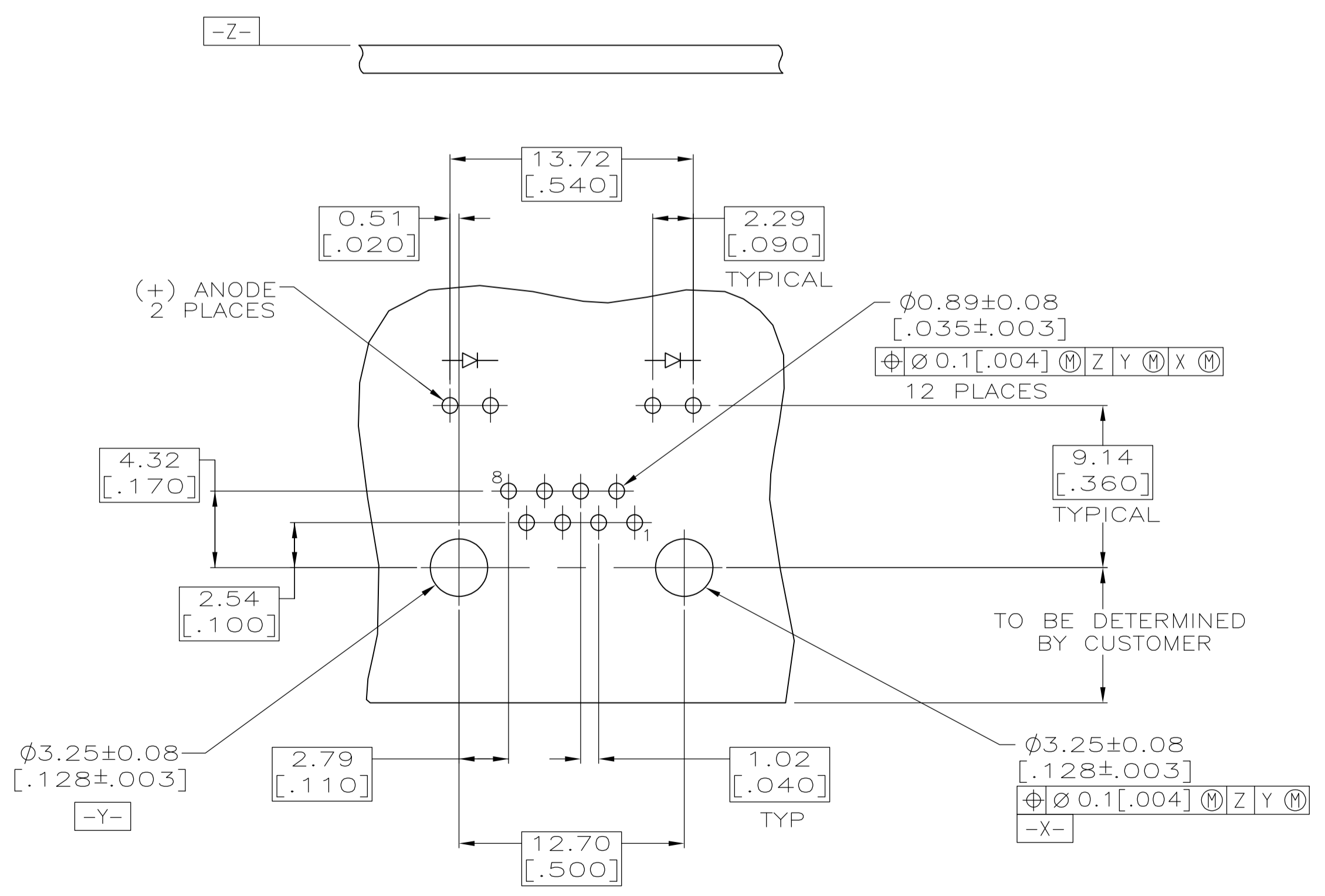
- MATERIAL:**
 HOUSING - HIGH TEMPERATURE THERMOPLASTIC, BLACK, UL94V-0.
 TERMINALS - 0.36[.014] THICK PHOS BRONZE PLATED WITH 3.81µm[.000150] MINIMUM THICK MATTE TIN IN SOLDER AREA. 1.27µm [.000050] MINIMUM GOLD IN LOCALIZED PLATE AREA. ENTIRE TERMINAL PLATED WITH 1.27µm [.000050] MINIMUM THICK NICKEL.
 LIGHT EMITTING DIODE (LED) - DIFFUSED EPOXY LENS, 0.51 x 0.51[.020 x .020] CARBON STEEL WIREFRAME LEADS PREPLATED WITH 8.89 µm[.0003500] THICK Sn/Cu OVER 2.03 µm[.000080] THICK Ag OVER 1.02µm[.000040] THICK Cu OVER 3.56 µm[.000140] THICK Ni OVER 1.02µm[.000040] Cu UNDERPLATE
- JACK CAVITY CONFORMS TO FCC RULES AND REGULATIONS PART 68, SUBPART F.
 - SUGGESTED PANEL OPENING DIMENSIONS.
 - SUGGESTED CLEARANCE BETWEEN BOTTOM OF CONNECTOR AND BOTTOM PANEL OPENING.
 - SEE TABLE FOR COLOR OF LEDS AND NUMBER REQUIRED.
 - THIS MODULAR JACK WITH INTEGRATED LED IS NOT IR REFLOW SOLDERING PROCESS COMPATIBLE.
 - OBsolete PARTS: OBsolete CIS STREAMLINING PER D.RENAUD/D.SINISI



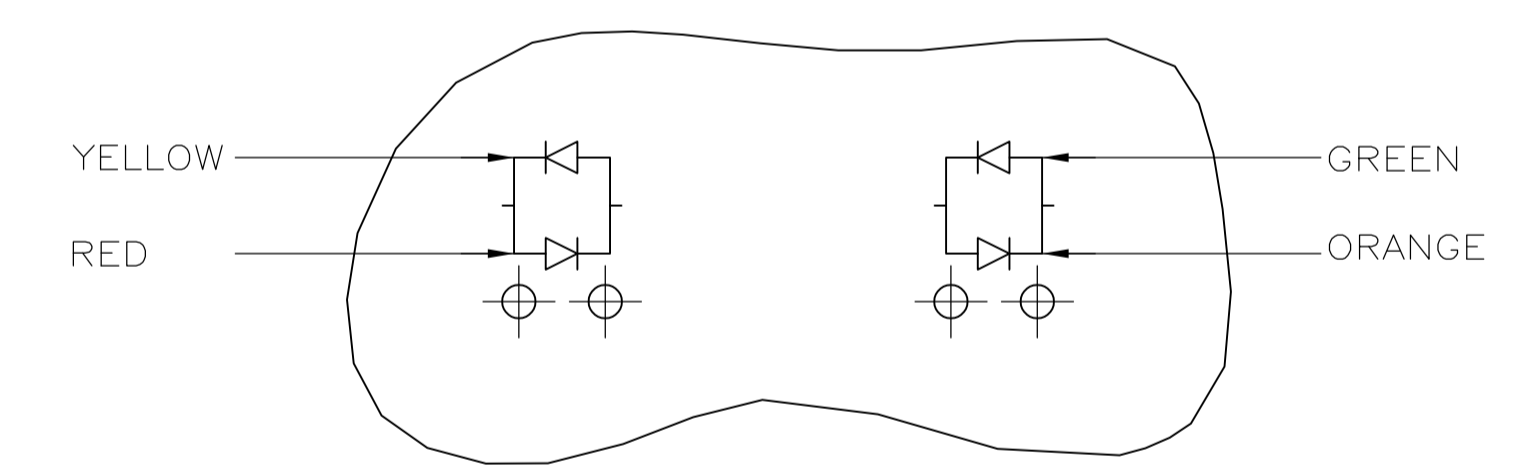
LED CURRENT DIAGRAM
5406533-7 ONLY



LED CURRENT DIAGRAM
1-5406533-0 PART ONLY



SUGGESTED PRINTED CIRCUIT BOARD LAYOUT
(COMPONENT SIDE)



LED CURRENT DIAGRAM
1-5406533-8 ONLY

OBsolete	TRAY	RED/YELLOW	ORANGE/GREEN	1-5406533-8
	TRAY	GREEN	-	1-5406533-7
	TRAY	GREEN	RED/GREEN	1-5406533-0
	TRAY	ORANGE/GREEN	ORANGE/GREEN	5406533-7
	TRAY	YELLOW	YELLOW	5406533-6
	TRAY	GREEN	GREEN	5406533-5
	TRAY	YELLOW	-	5406533-3
	TRAY	-	GREEN	5406533-2
	TRAY	YELLOW	GREEN	5406533-1
PACKAGING		POSITION 2	POSITION 1	PART NUMBER
		INDICATOR COLOR		

THIS DRAWING IS A CONTROLLED DOCUMENT.

DIMENSIONS: mm[INCHES]	TOLERANCES UNLESS OTHERWISE SPECIFIED:	DIN J. ALCORTA - 13JUN2005	DOCK 5 J. WESTMAN 13JUN2005	TE Connectivity	
0 PLC ± -	1 PLC ± -	APVD S. FLICKINGER 13JUN2005	NAME	INVERTED MODULAR JACK ASSEMBLY, 1X1, LED	
2 PLC ± 0.25[.010]	3 PLC ± 0.13[.005]	PRODUCT SPEC	108-1163-4	SIZE	CAGE CODE DRAWING NO
4 PLC ± -	ANGLES ± -	APPLICATION SPEC	114-2154	WEIGHT	RESTRICTED TO
MATERIAL SEE NOTE 1	FINISH SEE NOTE 1	WEIGHT	A1 00779	SCALE 8:1	SHEET 1 OF 1
CUSTOMER DRAWING			SCALE 8:1	SHEET 1 OF 1	REV C2

单击下面可查看定价，库存，交付和生命周期等信息

[>>TE Connectivity\(泰科\)](#)