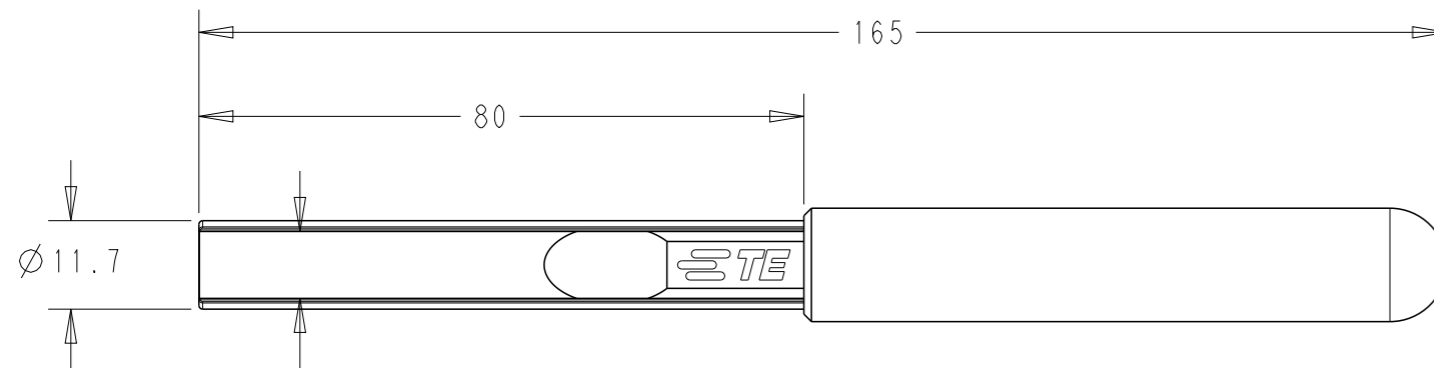
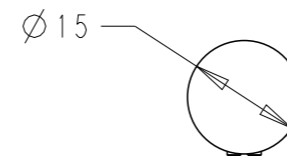
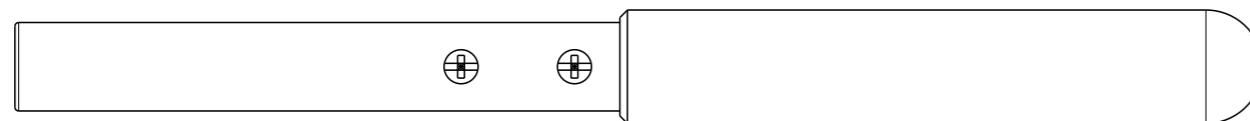
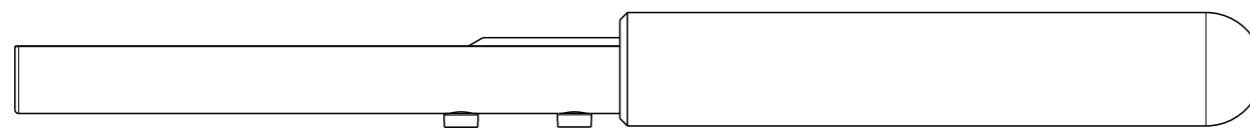


P	LTR	DESCRIPTION	DATE	DWN	APVD
	A	INITIAL RELEASE	31MAY2022	RW	CW



ALLOWED MAX. CABLE DIAMETER MUST BE LESS THAN 8MM
适用电缆最大外径不超过8mm

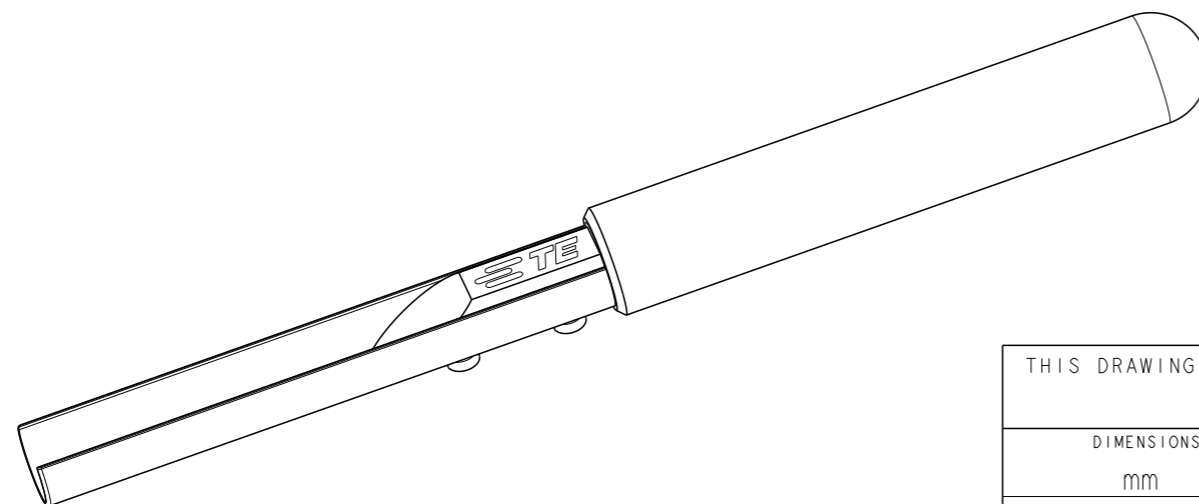


NOTES:

1. TECHNICAL CHARACTERISTICS:
HANDLE MATERIAL: ALUMINIUM ALLOY
TIP MATERIAL: STAINLESS STEEL
2. PRODUCT DESIGNED FOR 70A CONTACTS (CSF/CSM).
PRODUCT DESIGNED FOR HMN-002 INSERT SERIAL.

注释:

1. 技术参数:
手柄材料: 铝合金
尖端材料: 不锈钢
2. 产品适用于70A插针(CSF/CSM).
产品适用于HMN-002系列芯件.



T3100000034-000	REMOV-HMN-002	HMN-002 REMOVE TOOL HMN-002退针器
PART NUMBER 料号	PART DESCRIPTION 描述	

THIS DRAWING IS A CONTROLLED DOCUMENT.		DWN RITA WANG 31MAY2022	TE Connectivity NAME REMOV-HMN-002	
DIMENSIONS: mm		CHK GINO YAO 31MAY2022		
TOLERANCES UNLESS OTHERWISE SPECIFIED:		APVD CHRIS WANG 31MAY2022		
0 PLC ±- 1 PLC ±- 2 PLC ±- 3 PLC ±- 4 PLC ±- ANGLES ±-		PRODUCT SPEC -		
MATERIAL -		FINISH -	APPLICATION SPEC 114-137626	RESTRICTED TO -
CUSTOMER DRAWING			WEIGHT -	SCALE 1:1
			SIZE A3	SHEET 1 OF 1
			CAGE CODE -	REV A
			DRAWING NO T3100000034000	

单击下面可查看定价，库存，交付和生命周期等信息

[>>TE Connectivity\(泰科\)](#)